

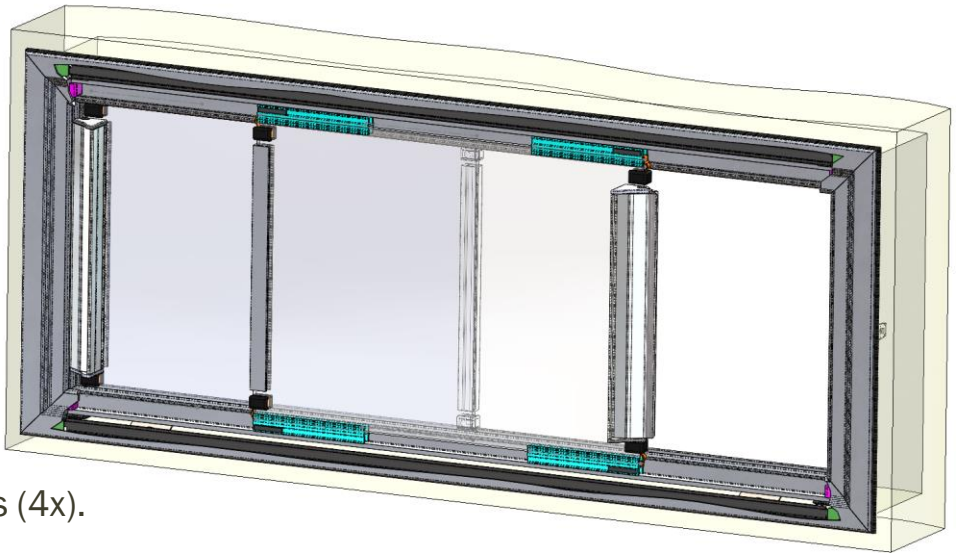
Technical Bulletin#: TB-LD012

Revision Level: A

Title: Replacing a Gen 3 Slider Panel

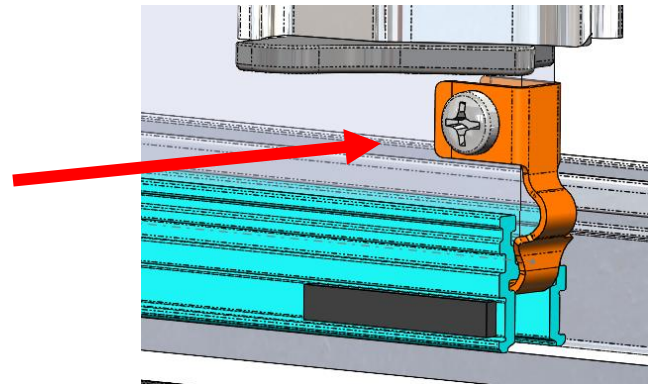
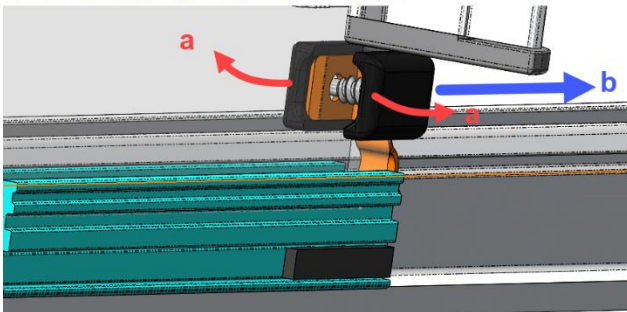
Purpose: 1) To show how a to replace a Gen 3 Slider Panel

STEP 1: Open Slider to middle of opening

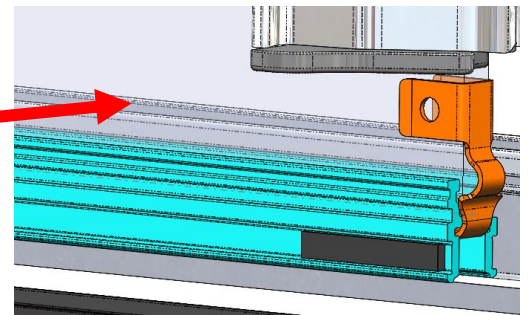
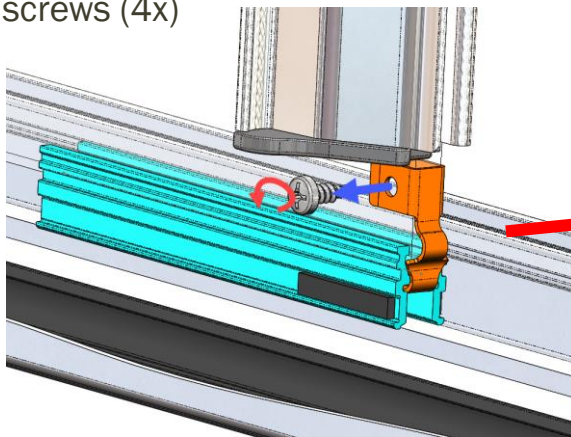


STEP 2: Remove black Screw Covers (4x).

a - GENTLY PULL ENDS OF CAP OUTWARD TO CLEAR EDGES OF SADDLE
b - SLIDE CAP OFF METAL CRADLE



STEP 3: Unscrew screws (4x)

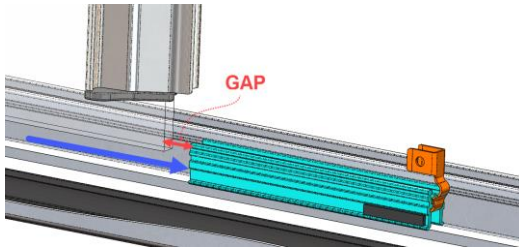


TB-LD012 Replacing a Gen 3 Slider Panel

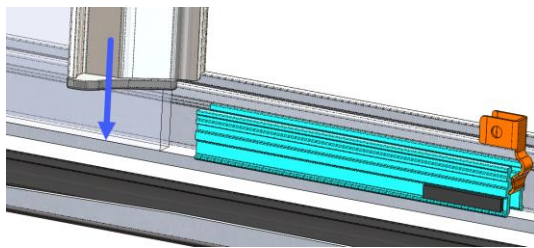
Rev: A

STEP 4: Slide Glides out past edges of panel (4X).

Note the self-drilling screws can cause a build-up of plastic shavings in the back hole of the saddle. This can cause the saddle to want to "stick" to the panel a little bit. Removing this material from the back hole and a gentle tap of the saddle while holding the panel will help break this build up in the hole and allow the glide to be slid out from the panel.



STEP 5: Panel drops to bottom of track which lowers upper edge below frame.



STEP 6: Tilt Panel outward and lift up to remove panel.

REMOVING THE BACK PANEL: follow the same procedure, but the screws are installed from the back of the frame so the rear panel tilts backwards into the cabinet to be removed.

INSTALLING NEW PANELS: These steps can be followed in reverse order to install a new panel in the front or the back.

