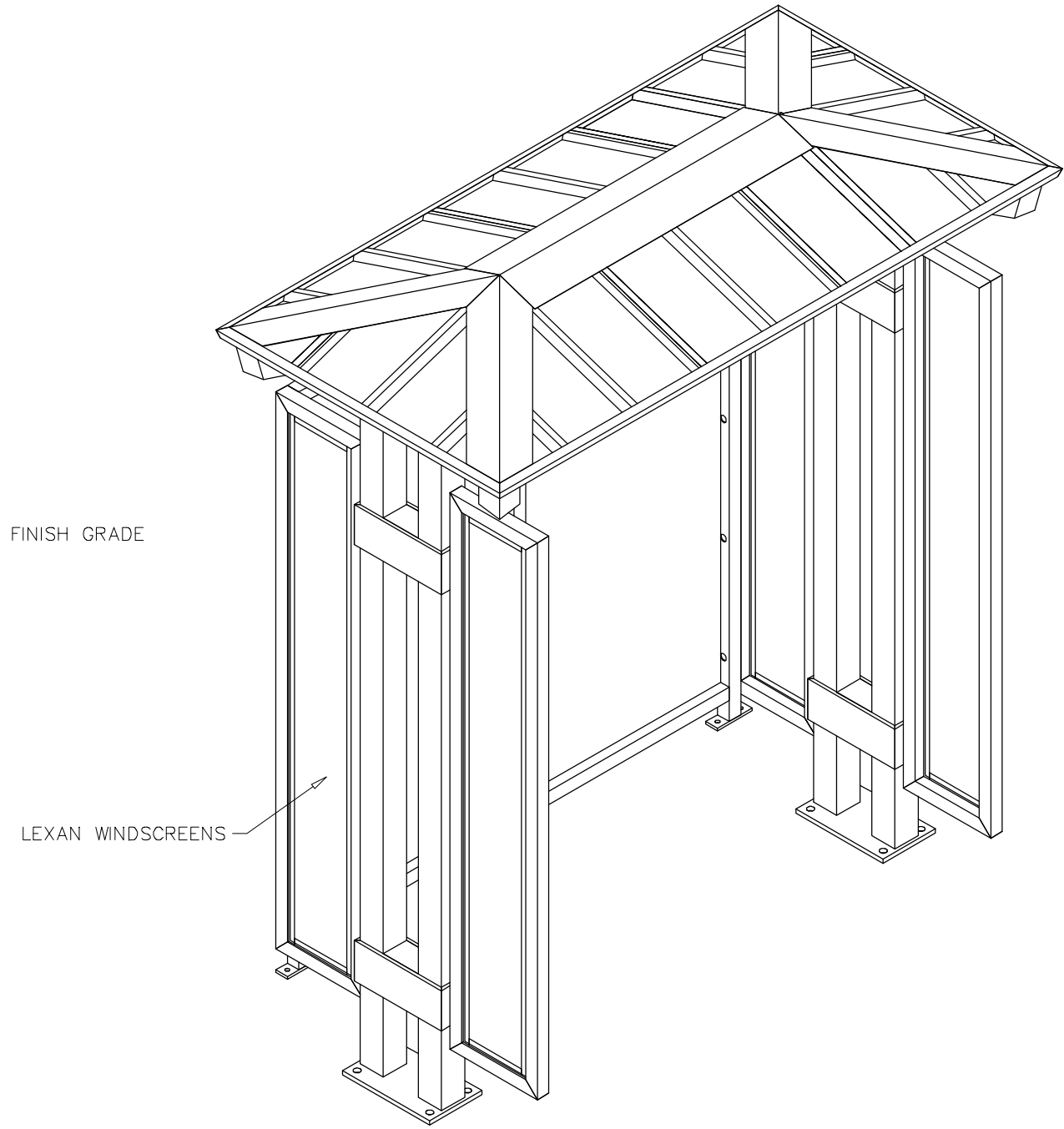
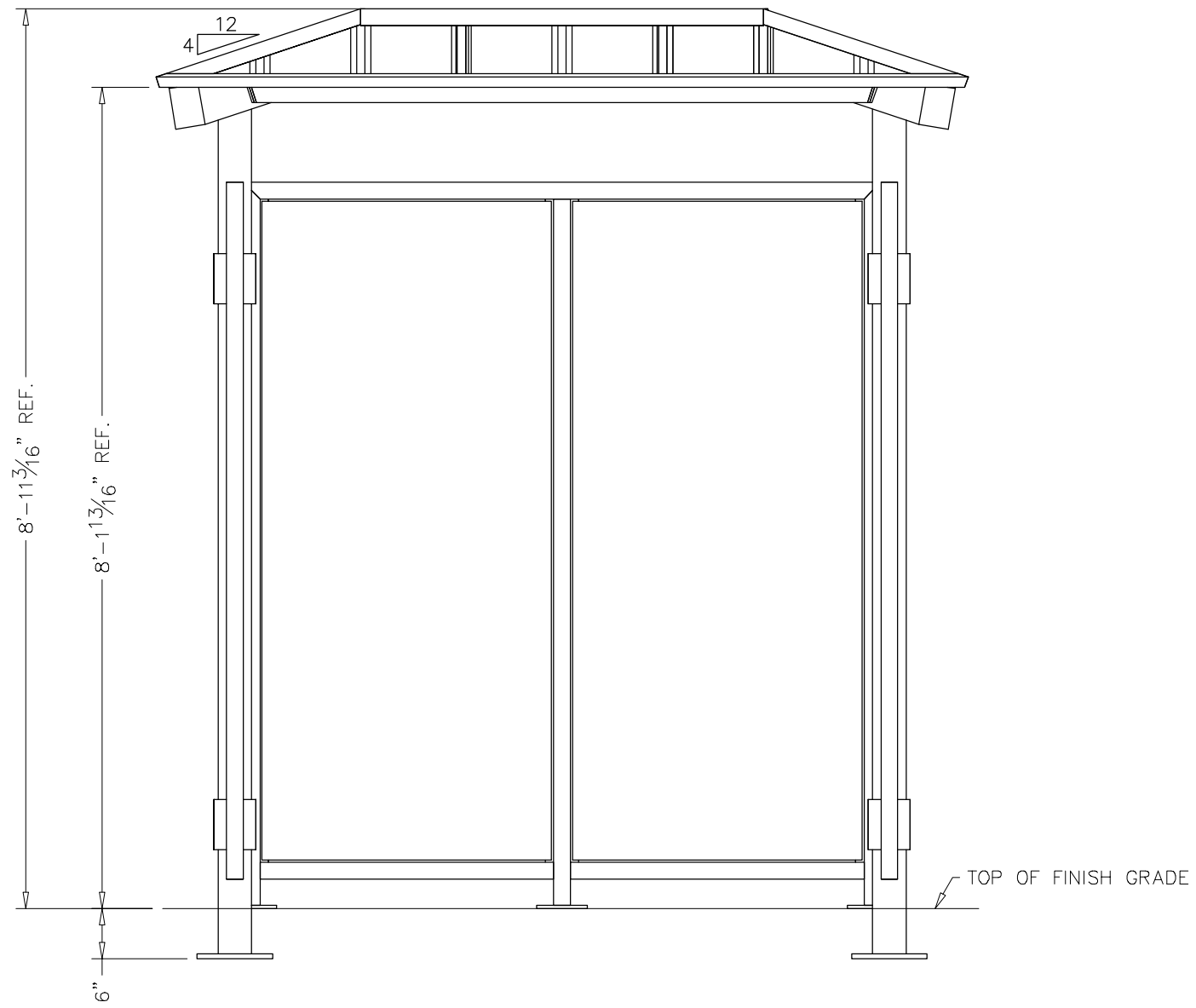


PRELIMINARY: NOT FOR CONSTRUCTION



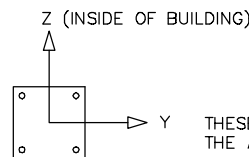
**ICON**  
 Shelter Systems Inc  
 DISTINCTIVE STEEL SHELTERS  
 WWW.ICONSHelters.COM  
 COPYRIGHT 2004, ICON SHELTER SYSTEMS, INC.  
 1455 LINCOLN AVE.  
 HOLLAND MI, 49423  
 616.396.0919  
 800.748.0985  
 616.396.0944 FX

Elevation

|                |            |
|----------------|------------|
| DRAWN BY:      | JSW        |
| DATE:          | 12/10/09   |
| JOB NO.:       | STANDARD   |
| REVISION:      |            |
| BUILDING TYPE: | UH4x8M-P4  |
| PROJECT NAME:  | 70-120-150 |

SHEET  
 1.0

DWG: S:\Engineering\Standards\Shelters\UH\4X8\M-P4-70-120-150\Drawings\Preliminary\UH4x8M-P4-70-120-150-14319.DWG

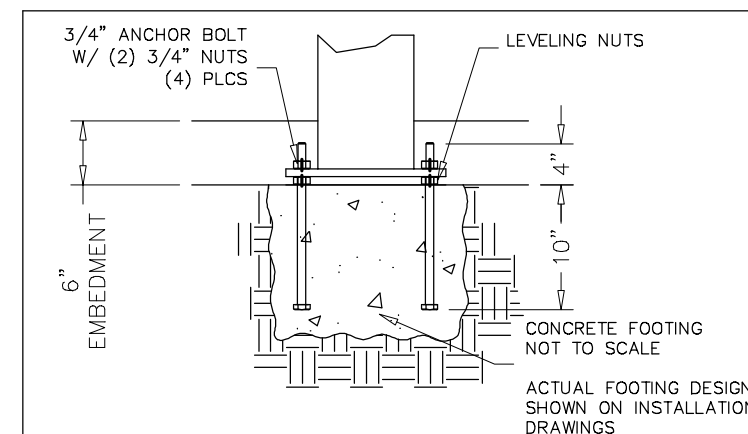
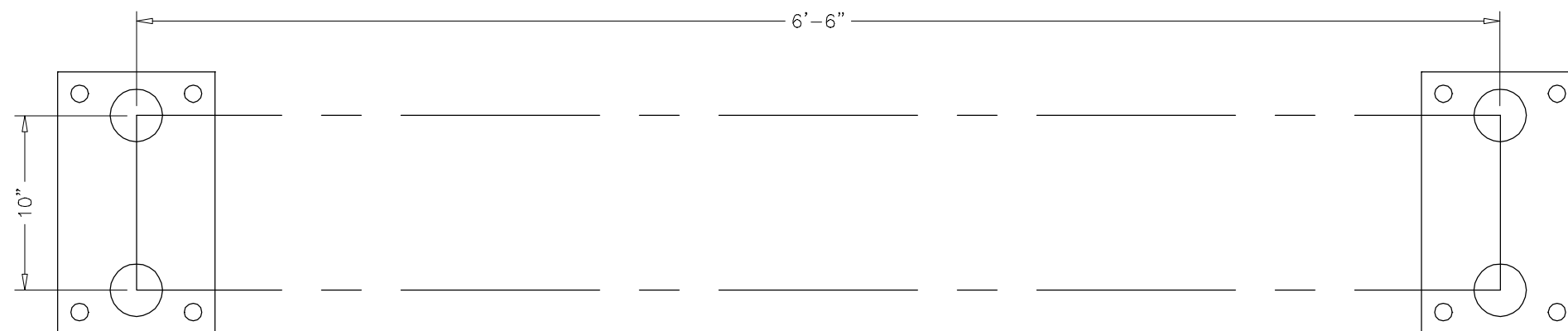


THESE FOUNDATION LOADS ARE FOR ESTIMATING PURPOSE ONLY.  
THE ACTUAL LOADS WILL BE DETERMINED IN THE FINAL ENGINEERING

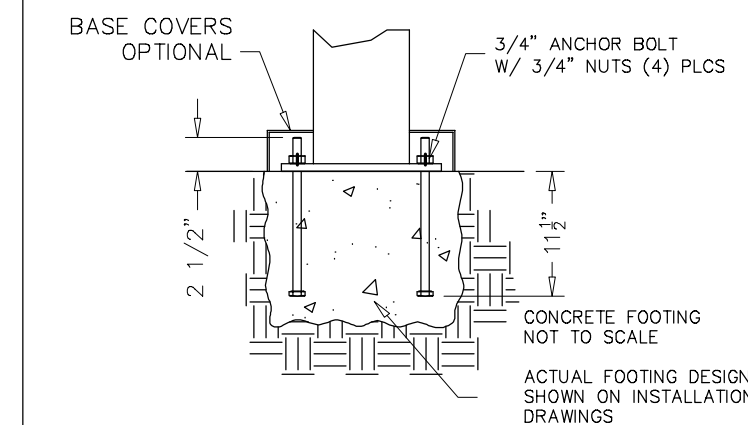
- NOTES:**
- TABLE SHOWS UNFACTORED SERVICE LOADS
  - A FOUNDATION DESIGN HAS NOT BEEN PERFORMED BY ICON SHELTER SYSTEMS INC.
  - A LICENSED ENGINEER FAMILIAR WITH SOIL CONDITIONS AT CONSTRUCTION SITE MUST PERFORM A FOUNDATION DESIGN.
  - THE STRUCTURE HAS BEEN ENGINEERED AS AN OPEN STRUCTURE.
  - CONSULT ICON SHELTER SYSTEMS INC. IF THE STRUCTURE IS TO BE ENCLOSED.
  - COORDINATES ARE LOCAL TO THE COLUMN

- DEFINITIONS:**
- DL = SERVICE LEVEL DEAD LOAD REACTION WITH THE GREATEST AXIAL LOAD
  - SL = SERVICE LEVEL SNOW LOAD REACTION WITH THE GREATEST AXIAL LOAD
  - W-UL = SERVICE LEVEL WIND LOAD REACTION WITH THE GREATEST UPLIFT LOAD
  - W-Y = SERVICE LEVEL WIND LOAD REACTION WITH THE GREATEST MAGNITUDE OF SHEAR IN THE LOCAL Y DIRECTION
  - W-Z = SERVICE LEVEL WIND LOAD REACTION WITH THE GREATEST SHEAR VALUE ACTING IN THE SAME DIRECTION AS THE DL SHEAR LOAD
  - E-Y = SERVICE LEVEL SEISMIC LOAD REACTION WITH THE GREATEST MAGNITUDE OF SHEAR IN THE LOCAL Y DIRECTION
  - E-Z = SERVICE LEVEL SEISMIC LOAD REACTION WITH THE GREATEST MAGNITUDE OF SHEAR IN THE LOCAL Z DIRECTION

| LOADS TO FOUNDATION<br>(KIPS, IN-KIPS) | FOUNDATIONS LOADS |            |            |             |             |
|--|-------------------|------------|------------|-------------|-------------|
|  | AXIAL (Fx)        | SHEAR (Fy) | SHEAR (Fz) | MOMENT (My) | MOMENT (Mz) |
| DL                                     | 0.28              | 0.00       | 0.00       | 0.00        | 0.03        |
| SL                                     | 1.03              | 0.00       | 0.00       | 0.00        | 0.17        |
| W-UPLIFT                               | -0.23             | -0.02      | 0.00       | 0.00        | -1.91       |
| W-FY                                   | 0.14              | -0.02      | 0.00       | 0.00        | -1.54       |
| W-FZ                                   | 0.04              | 0.00       | 0.06       | -4.06       | 0.03        |
| E-FY                                   | 0.24              | -0.40      | 0.00       | 0.00        | -33.71      |
| E-Z                                    | 0.00              | 0.00       | 0.40       | -43.79      | 0.00        |



PRELIMINARY DRAWINGS SHOWN AS 6" BURIED  
STANDARD BASE CONNECTION  
COLUMN TYPE: A (6" BURIED)



OPTIONAL BASE CONNECTION  
COLUMN TYPE: B (SURFACE MOUNT W/ COVERS)

PRELIMINARY: NOT FOR  
CONSTRUCTION

**ICON**  
Shelter Systems Inc  
DISTINCTIVE STEEL SHELTERS  
WWW.ICONSHelters.COM  
COPYRIGHT 2004, ICON SHELTER  
SYSTEMS, INC.  
1455 LINCOLN AVB.  
HOLLAND MI, 49423  
616.396.0919  
800.748.0985  
616.396.0944 FX

Anchor Bolt Layout

DRAWN BY:  
JSW

DATE:  
12/10/09

JOB NO.:  
STANDARD

REVISION:

BUILDING TYPE:  
UH4x8M-P4

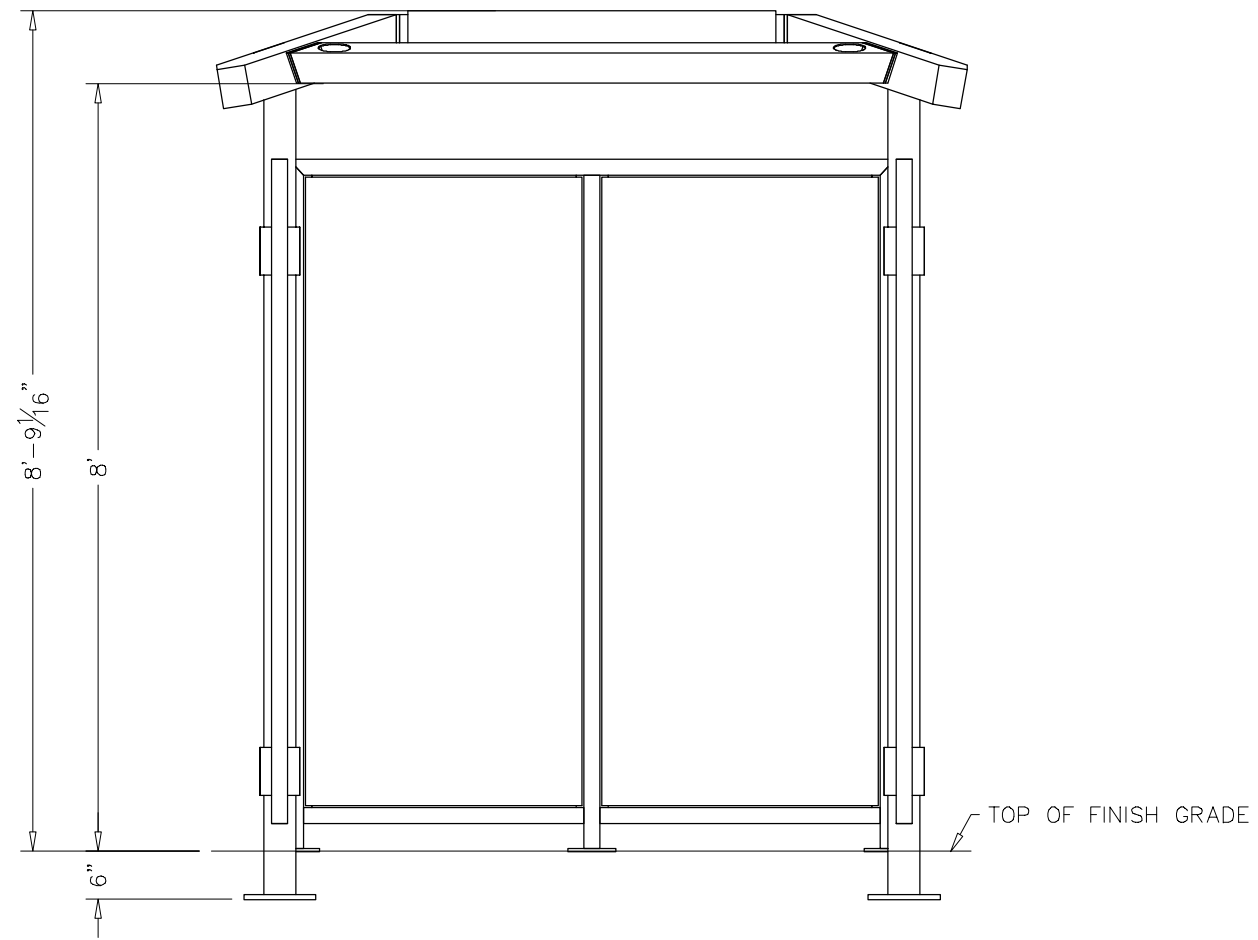
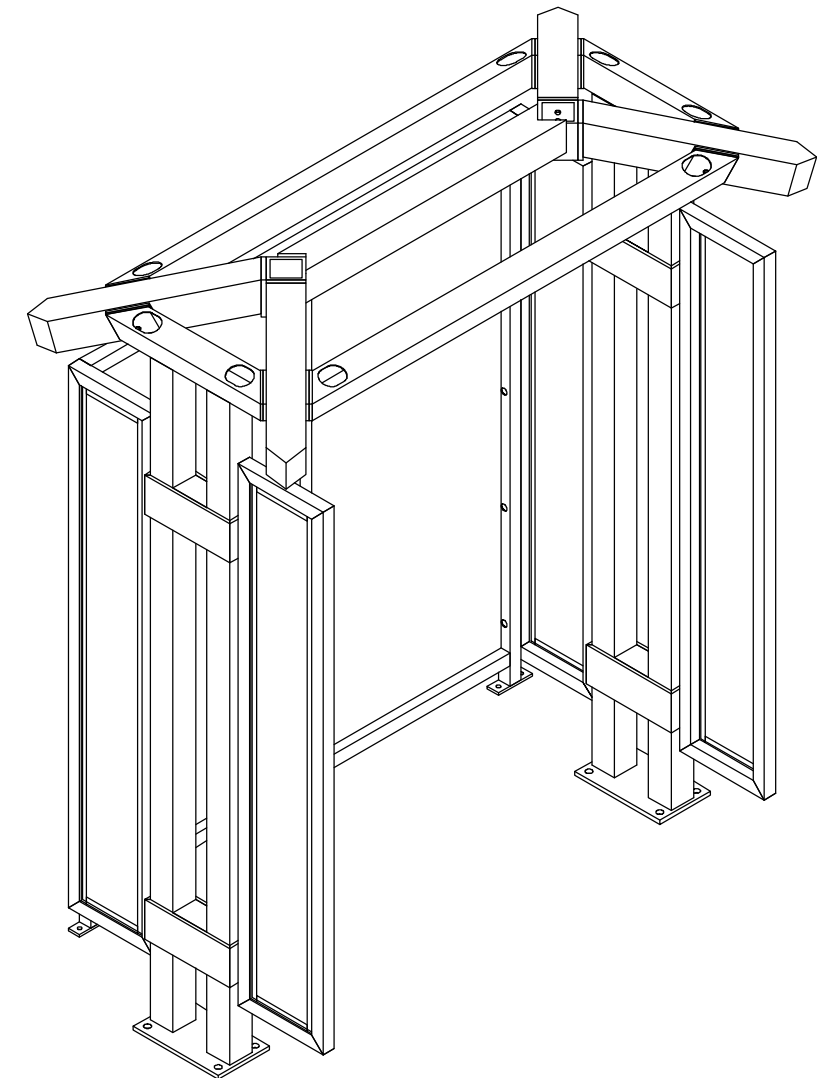
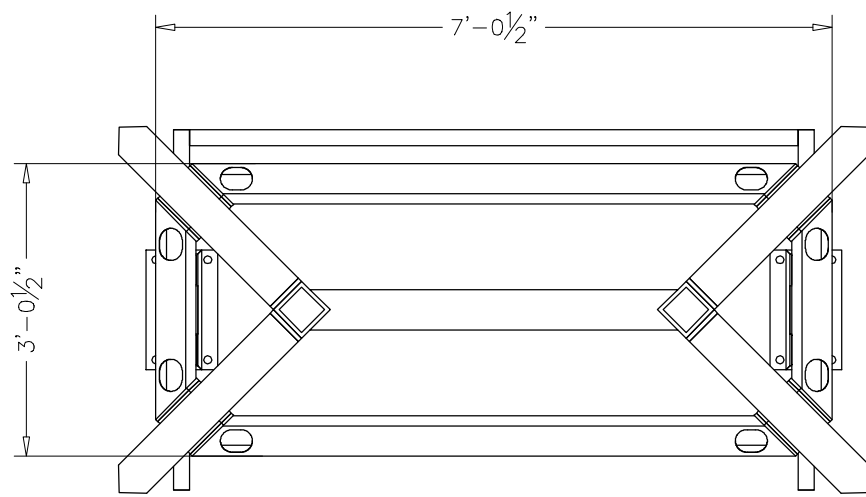
PROJECT NAME:  
70-120-150

SHEET  
2.0

DWG: S:\Engineering\Standards\Shelters\UH4x8M-P4-70-120-150\Drawings\Preliminary\UH4x8M-P4-70-120-150-14319.DWG

PRELIMINARY: NOT FOR CONSTRUCTION

**ICON**  
 Shelter Systems Inc  
 DISTINCTIVE STEEL SHELTERS  
 WWW.ICONSHelters.COM  
 COPYRIGHT 2004, ICON SHELTER SYSTEMS, INC.  
 1455 LINCOLN AVE.  
 HOLLAND MI, 49423  
 616.396.0919  
 800.748.0985  
 616.396.0944 FX



Frame

|                |            |
|----------------|------------|
| DRAWN BY:      | JSW        |
| DATE:          | 12/10/09   |
| JOB NO.:       | STANDARD   |
| REVISION:      |            |
| BUILDING TYPE: | UH4x8M-P4  |
| PROJECT NAME:  | 70-120-150 |

ALL STRUCTURAL COMPONENTS WILL BE:  
 TUBE: ASTM A500 GRADE B  
 PLATE: ASTM A36  
 BOLTS: ASTM A325  
 NUTS: ASTM A563  
 WELDING: GMAW

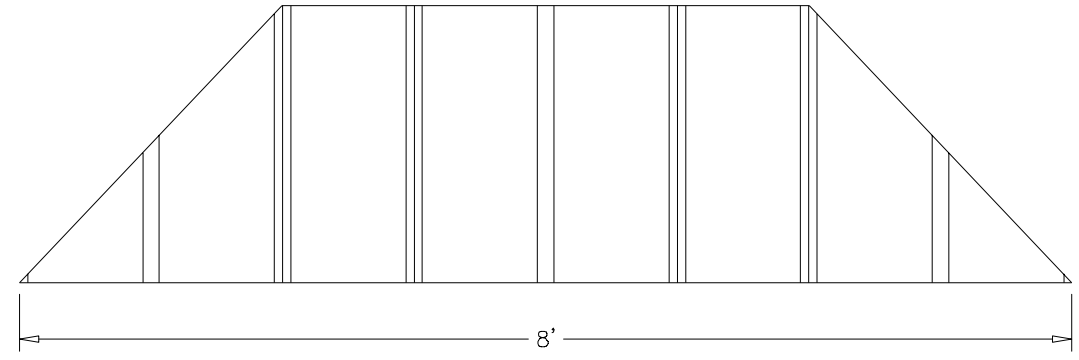
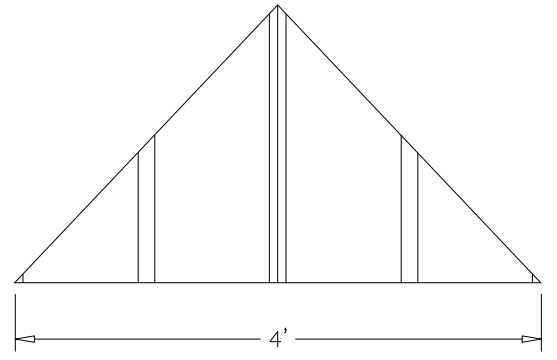
NOTE:  
 COLUMN SIZE: HSS 6x6x3/16

SHEET  
 3.0

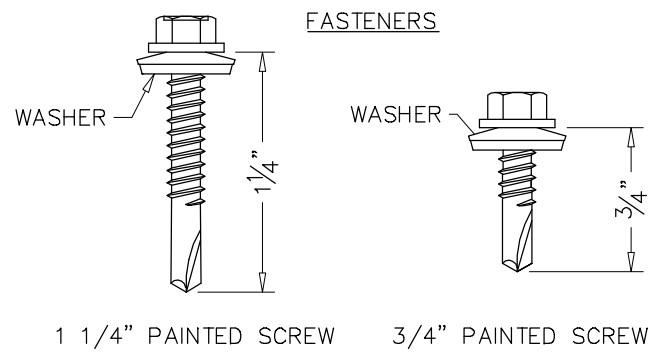
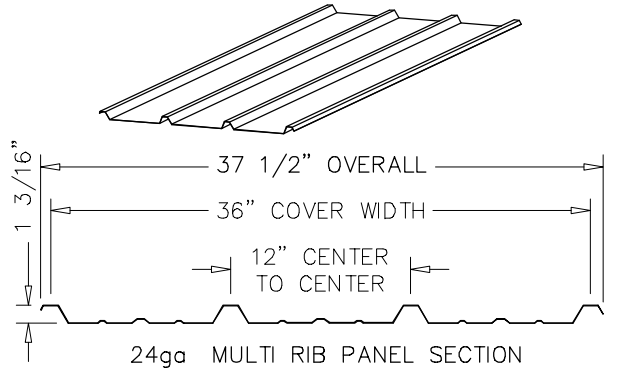
DWG: S:\Engineering\Standards\Shelters\UH\4X8\M-P4-70-120-150\Drawings\Preliminary\UH4x8M-P4-70-120-150-14319.DWG

PRELIMINARY: NOT FOR CONSTRUCTION

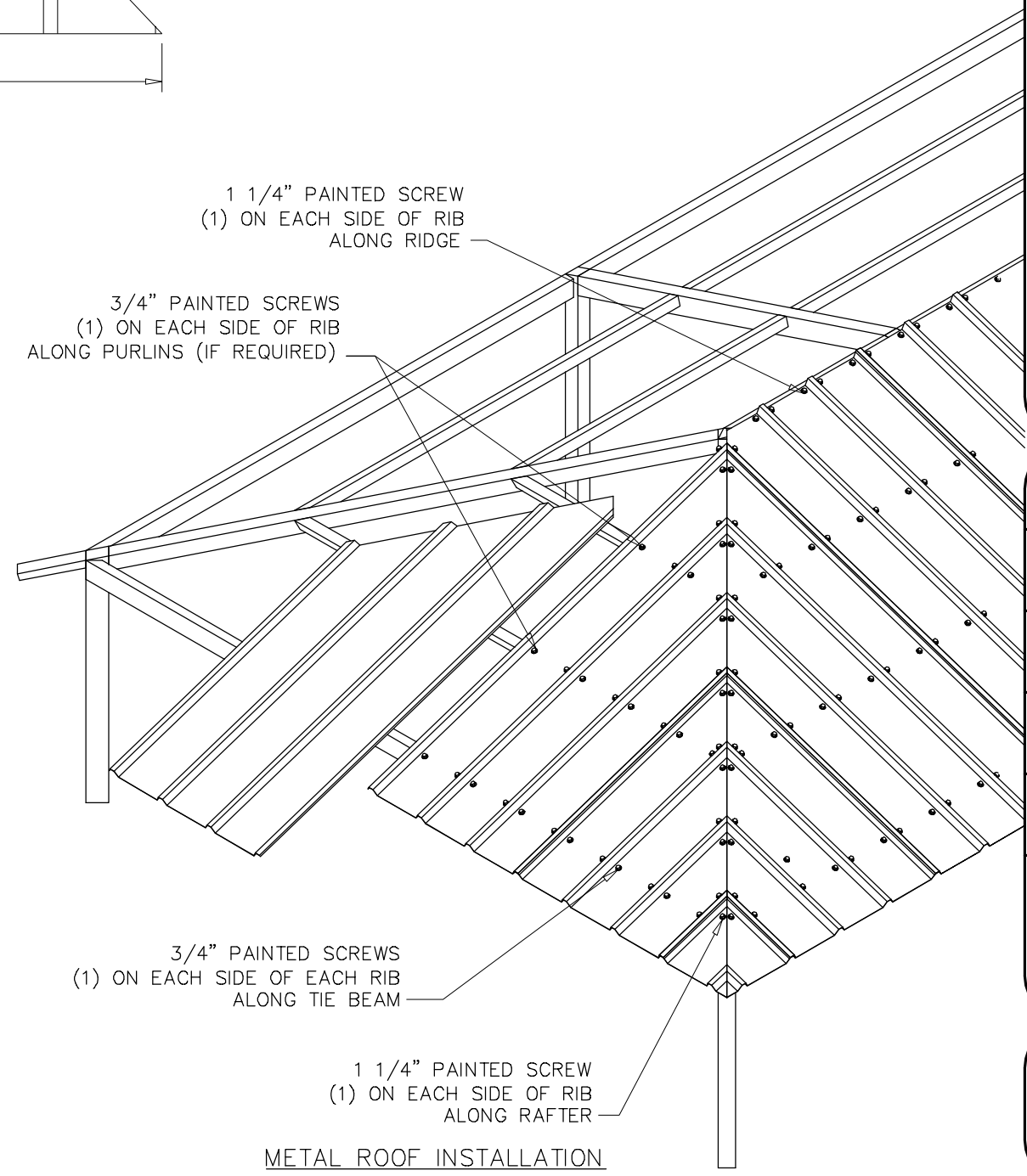
**ICON**  
 Shelter Systems Inc  
 DISTINCTIVE STEEL SHELTERS  
 WWW.ICONSHelters.COM  
 COPYRIGHT 2004, ICON SHELTER SYSTEMS, INC.  
 1455 LINCOLN AVE.  
 HOLLAND MI, 49423  
 616.396.0919  
 800.748.0985  
 616.396.0944 FX



Roof Layout



NOTE: STANDARD DETAILS SHOWN  
 ACTUAL BUILDING MAY VARY



METAL ROOF INSTALLATION

|                |            |
|----------------|------------|
| DRAWN BY:      | JSW        |
| DATE:          | 12/10/09   |
| JOB NO.:       | STANDARD   |
| REVISION:      |            |
| BUILDING TYPE: | UH4x8M-P4  |
| PROJECT NAME:  | 70-120-150 |

SHEET  
 4.0

DWG: S:\Engineering\Standards\Shelters\UH 4X8\M-P4-70-120-150\Drawings\Preliminary\UH4x8M-P4-70-120-150-14319.DWG