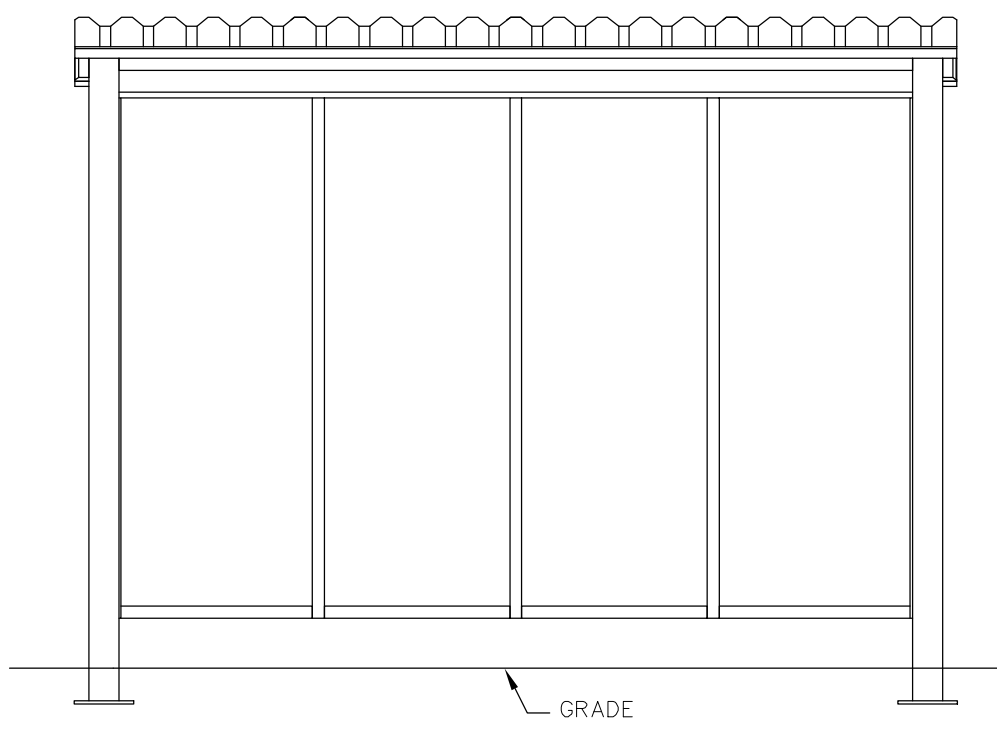
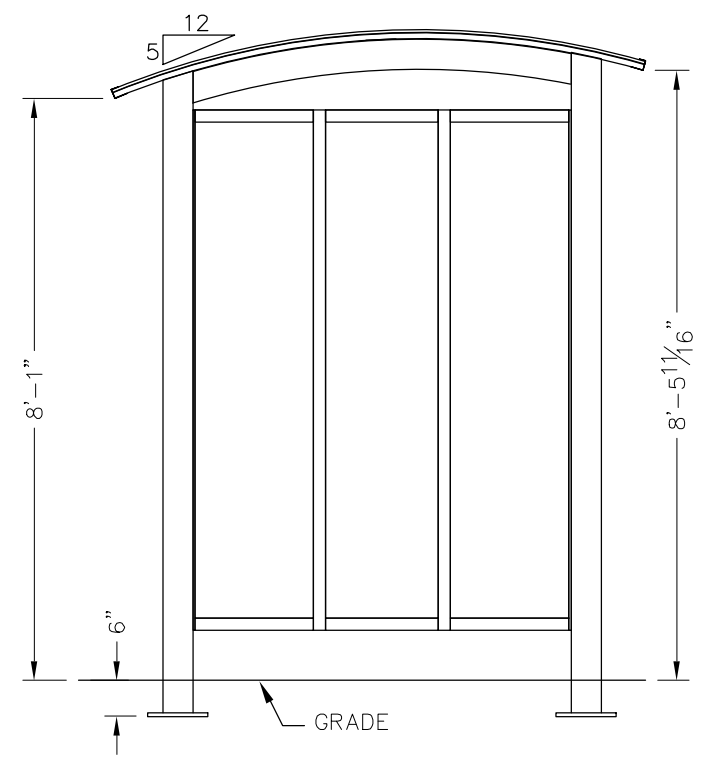
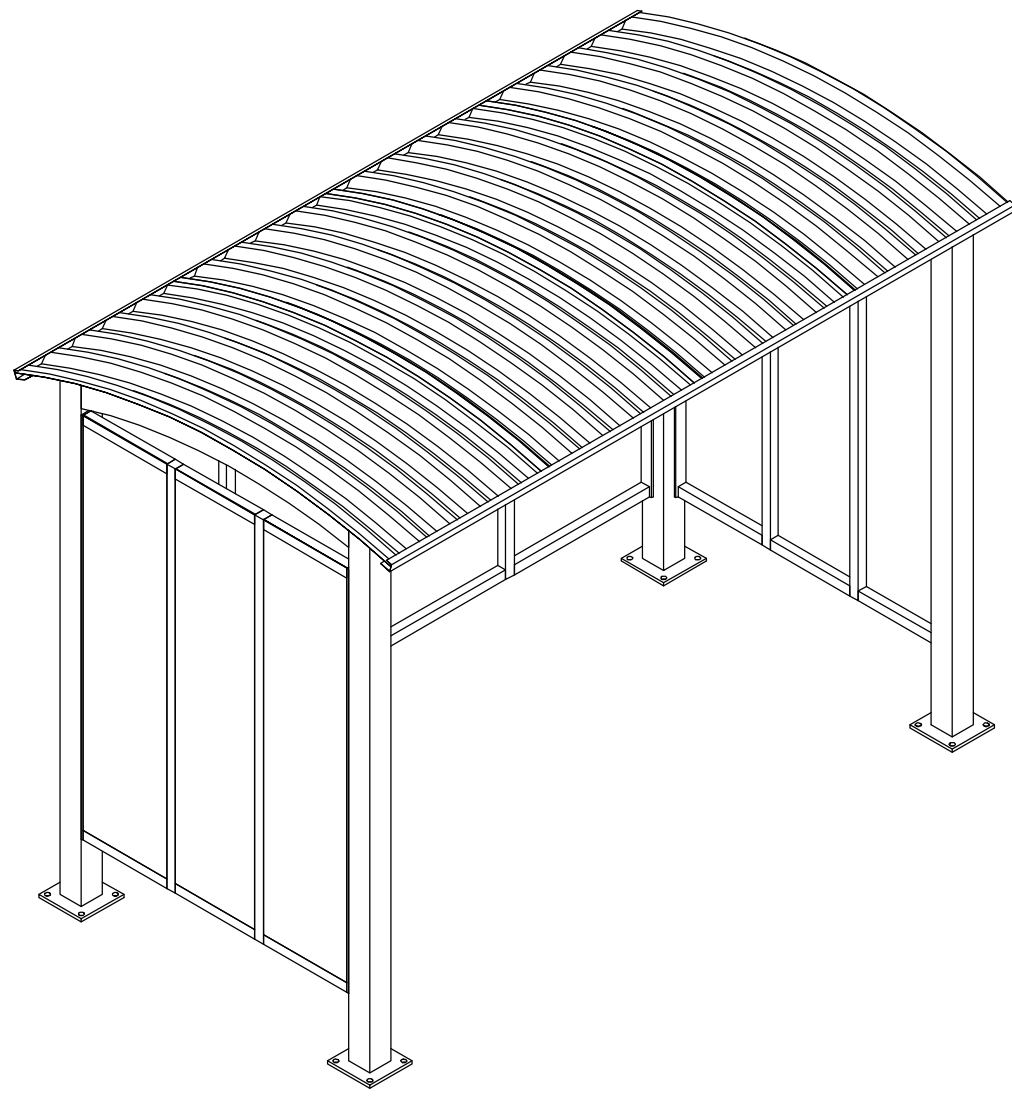


PRELIMINARY: NOT FOR CONSTRUCTION

**ICON**  
 Shelter Systems Inc  
 DISTINCTIVE STEEL SHELTERS  
 WWW.ICONSHelters.COM  
 COPYRIGHT 2004, ICON SHELTER SYSTEMS, INC.  
 1455 LINCOLN AVE.  
 HOLLAND MI, 49423  
 616.396.0919  
 800.748.0985  
 616.396.0944 FX

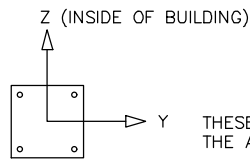


Elevation

DRAWN BY:	EG
DATE:	7/18/2017
PRELIMINARY ID:	49188
REVISION:	A
BUILDING TYPE:	UB6X12G-P5
PROJECT NAME:	

SHEET  
 1.0

DWG:Shelters\UB\6X12\G-P5-35-90-30\Drawings\Preliminary\UB6x12G-P5-35-90-30~49188.dwg

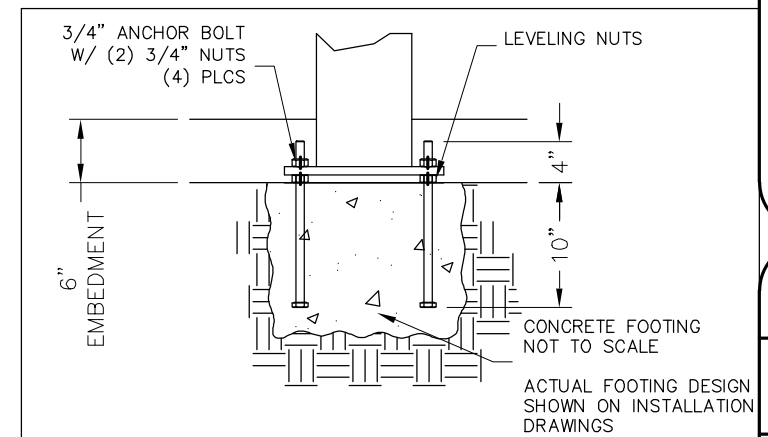
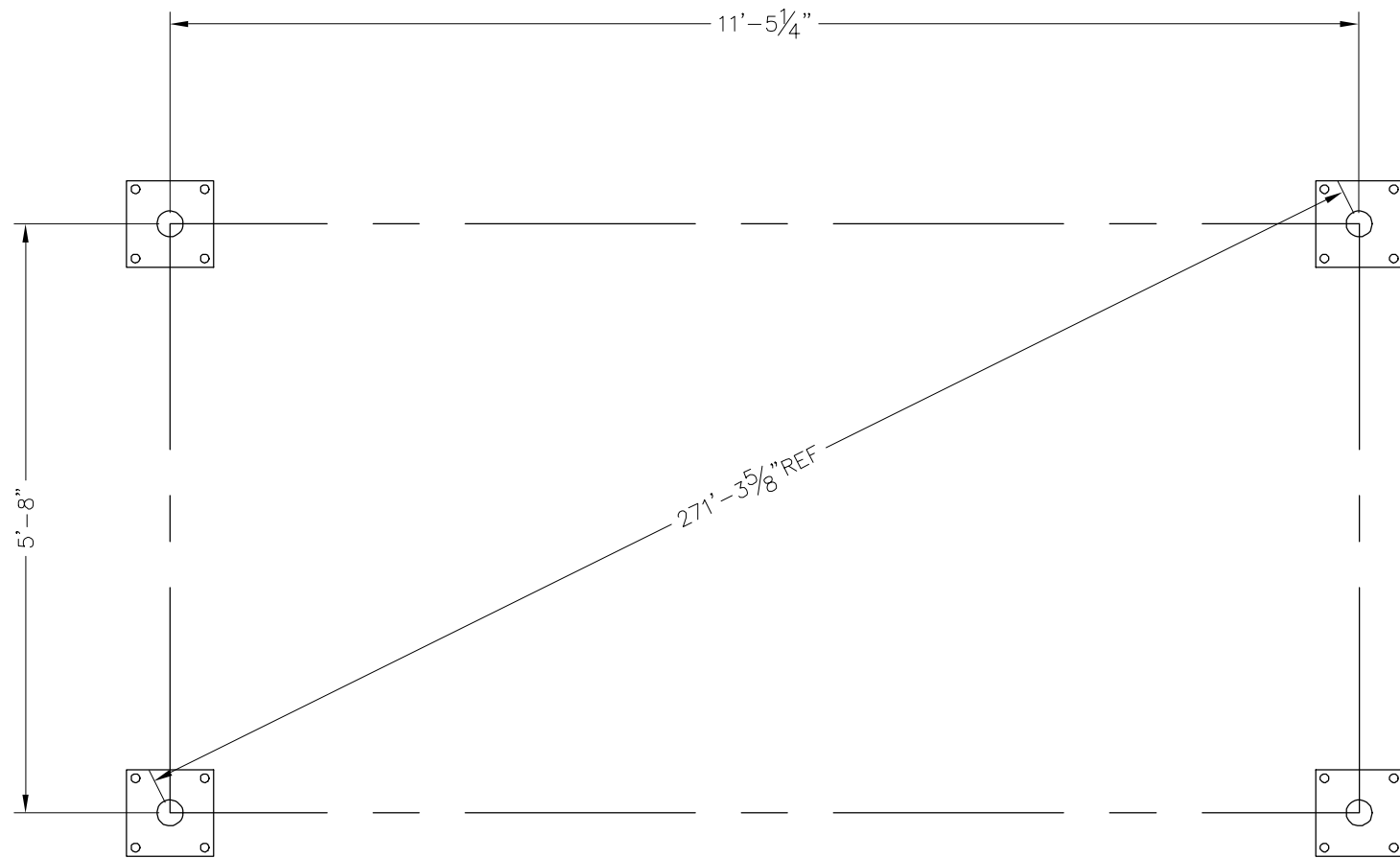


THESE FOUNDATION LOADS ARE FOR ESTIMATING PURPOSE ONLY.  
THE ACTUAL LOADS WILL BE DETERMINED IN THE FINAL ENGINEERING

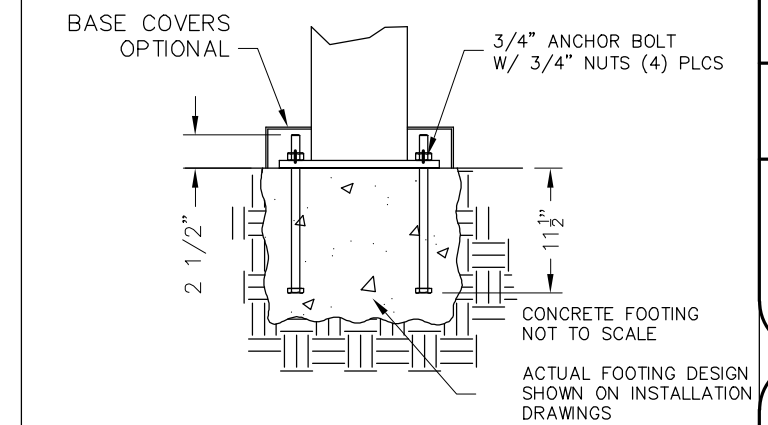
LOADS TO FOUNDATION (KIPS, IN-KIPS)	FOUNDATION LOADS				
	AXIAL (Fx)	SHEAR (Fy)	SHEAR (Fz)	MOMENT (My)	MOMENT (Mz)
DL	0.27	-0.02	0.02	-0.61	-0.93
SL	0.57	-0.13	0.06	-2.26	-4.50
W-UPLIFT	-0.72	0.62	-0.23	12.36	43.54
W-FY	0.48	-0.66	-0.13	8.69	-45.11
W-FZ	0.47	-0.02	0.27	-15.39	-0.88
E-FY	0.02	-0.03	0.00	-0.04	-2.12
E-Z	-0.04	0.00	-0.03	1.74	0.01

- NOTES:**
- TABLE SHOWS UNFACTORED SERVICE LOADS
  - A FOUNDATION DESIGN HAS NOT BEEN PERFORMED BY ICON SHELTER SYSTEMS INC.
  - A LICENSED ENGINEER FAMILIAR WITH SOIL CONDITIONS AT CONSTRUCTION SITE MUST PERFORM A FOUNDATION DESIGN.
  - THE STRUCTURE HAS BEEN ENGINEERED AS AN OPEN STRUCTURE.
  - CONSULT ICON SHELTER SYSTEMS INC. IF THE STRUCTURE IS TO BE ENCLOSED.
  - COORDINATES ARE LOCAL TO THE COLUMN

- DEFINITIONS:**
- DL = SERVICE LEVEL DEAD LOAD REACTION WITH THE GREATEST AXIAL LOAD
  - SL = SERVICE LEVEL SNOW LOAD REACTION WITH THE GREATEST AXIAL LOAD
  - W-U = SERVICE LEVEL WIND LOAD REACTION WITH THE GREATEST UPLIFT LOAD
  - W-Y = SERVICE LEVEL WIND LOAD REACTION WITH THE GREATEST MAGNITUDE OF SHEAR IN THE LOCAL Y DIRECTION
  - W-Z = SERVICE LEVEL WIND LOAD REACTION WITH THE GREATEST SHEAR VALUE ACTING IN THE SAME DIRECTION AS THE DL SHEAR LOAD
  - E-Y = SERVICE LEVEL SEISMIC LOAD REACTION WITH THE GREATEST MAGNITUDE OF SHEAR IN THE LOCAL Y DIRECTION
  - E-Z = SERVICE LEVEL SEISMIC LOAD REACTION WITH THE GREATEST MAGNITUDE OF SHEAR IN THE LOCAL Z DIRECTION



PRELIMINARY DRAWINGS SHOWN AS 6" BURIED  
STANDARD BASE CONNECTION  
COLUMN TYPE: A (6" BURIED)



OPTIONAL BASE CONNECTION  
COLUMN TYPE: B (SURFACE MOUNT W/ COVERS)

PRELIMINARY: NOT FOR CONSTRUCTION

**ICON**  
Shelter Systems Inc  
DISTINCTIVE STEEL SHELTERS  
WWW.ICONSHELTERS.COM  
COPYRIGHT 2004, ICON SHELTER SYSTEMS, INC.  
1455 LINCOLN AVE.  
HOLLAND MI, 49423  
616.396.0919  
800.748.0985  
616.396.0944 FX

Anchor Bolt Layout

DRAWN BY:	EG
DATE:	7/18/2017
PRELIMINARY ID:	49188
REVISION:	A
BUILDING TYPE:	UB6X12G-P5
PROJECT NAME:	

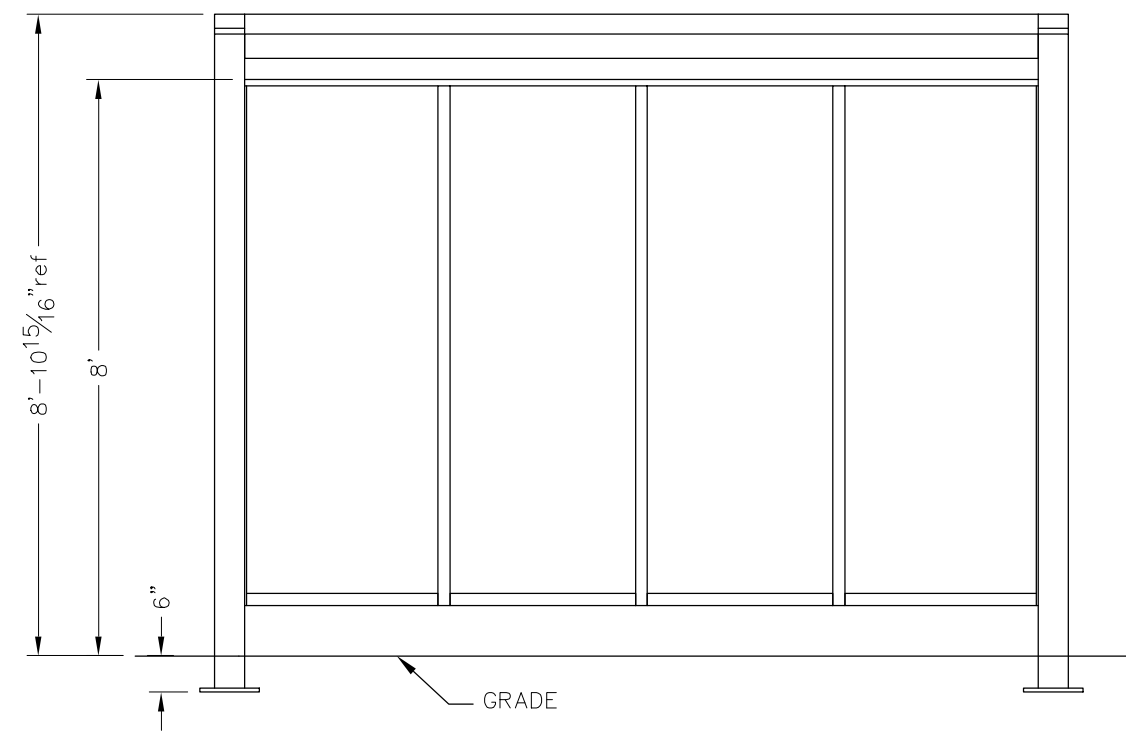
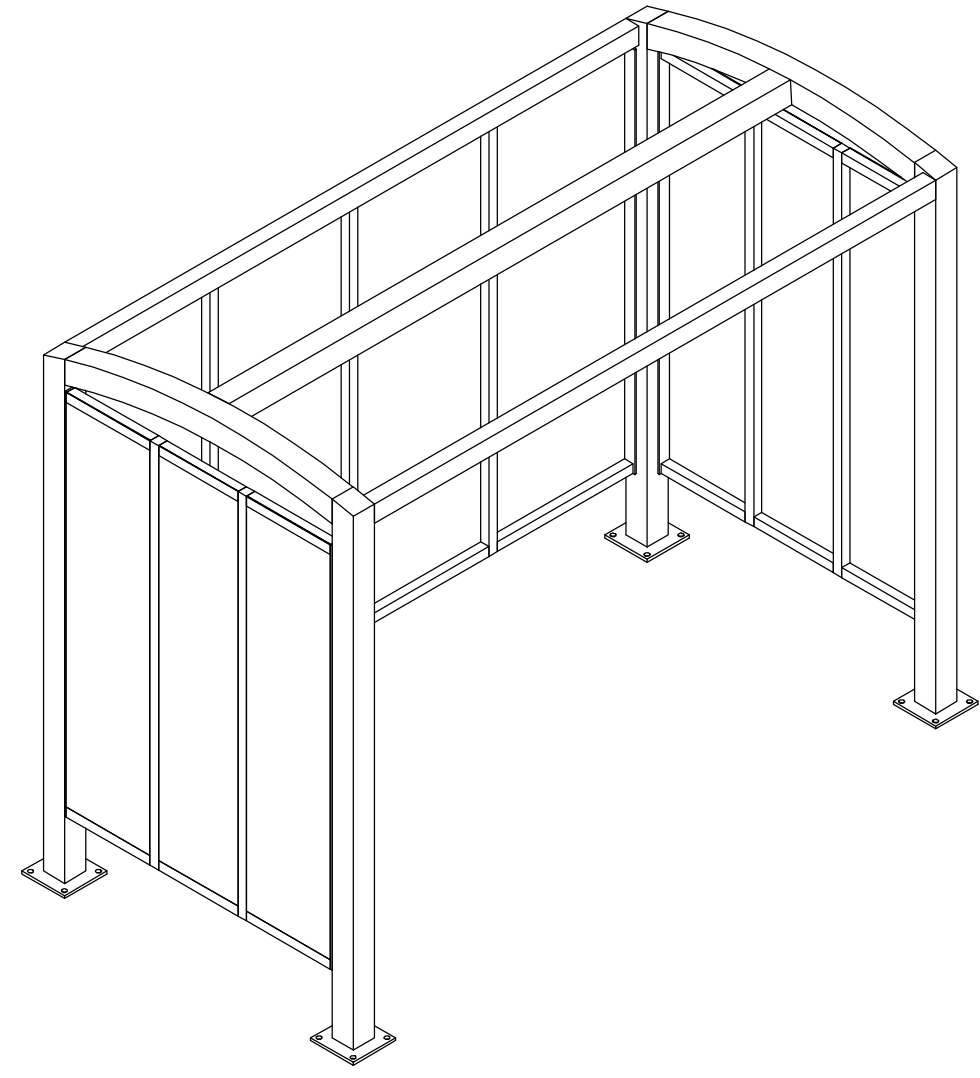
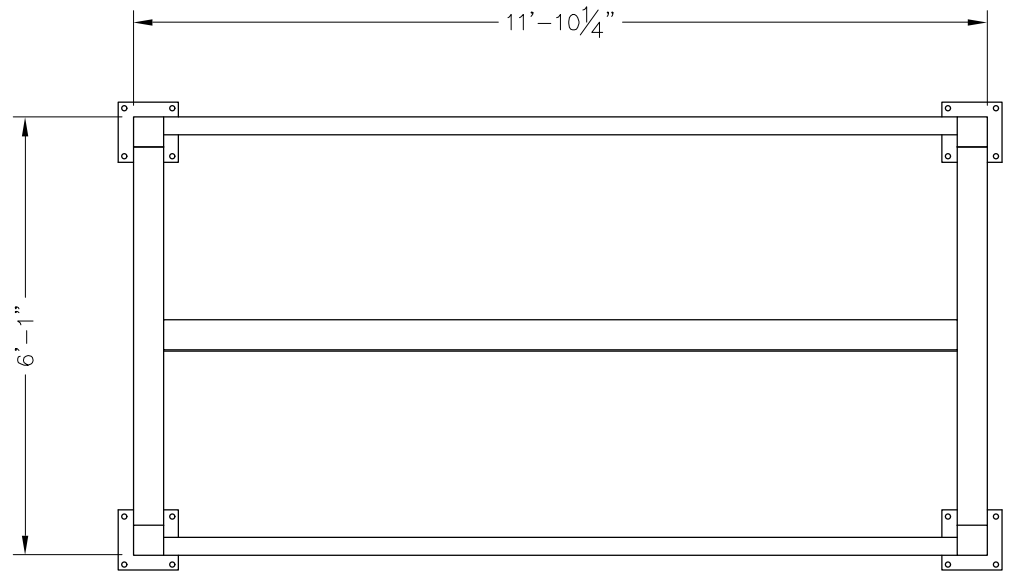
SHEET  
**2.0**

DWG:Shelters\UB\6X12\G-P5-35-90-30\Drawings\Preliminary\UB6x12G-P5-35-90-30~49188.dwg

PRELIMINARY: NOT FOR CONSTRUCTION

**ICON**  
 Shelter Systems Inc  
 DISTINCTIVE STEEL SHELTERS  
 WWW.ICONSHelters.COM  
 COPYRIGHT 2004, ICON SHELTER SYSTEMS, INC.  
 1455 LINCOLN AVE.  
 HOLLAND MI, 49423  
 616.396.0919  
 800.748.0985  
 616.396.0944 FX

Frame



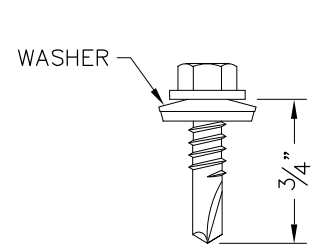
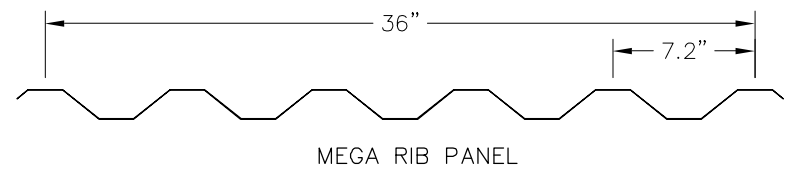
ALL STRUCTURAL COMPONENTS WILL BE:  
 TUBE: ASTM A500 GRADE B  
 PLATE: ASTM A36  
 BOLTS: ASTM A325  
 NUTS: ASTM A563  
 WELDING: GMAW

NOTE:  
 COLUMN SIZE: HSS 5x5x3/16

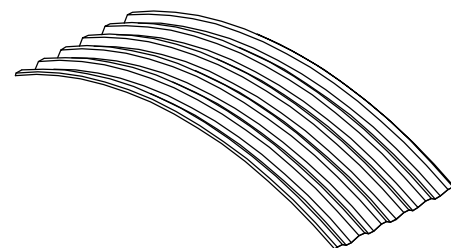
DRAWN BY:	EG
DATE:	7/18/2017
PRELIMINARY ID:	49188
REVISION:	A
BUILDING TYPE:	UB6X12G-P5
PROJECT NAME:	

SHEET  
 3.0

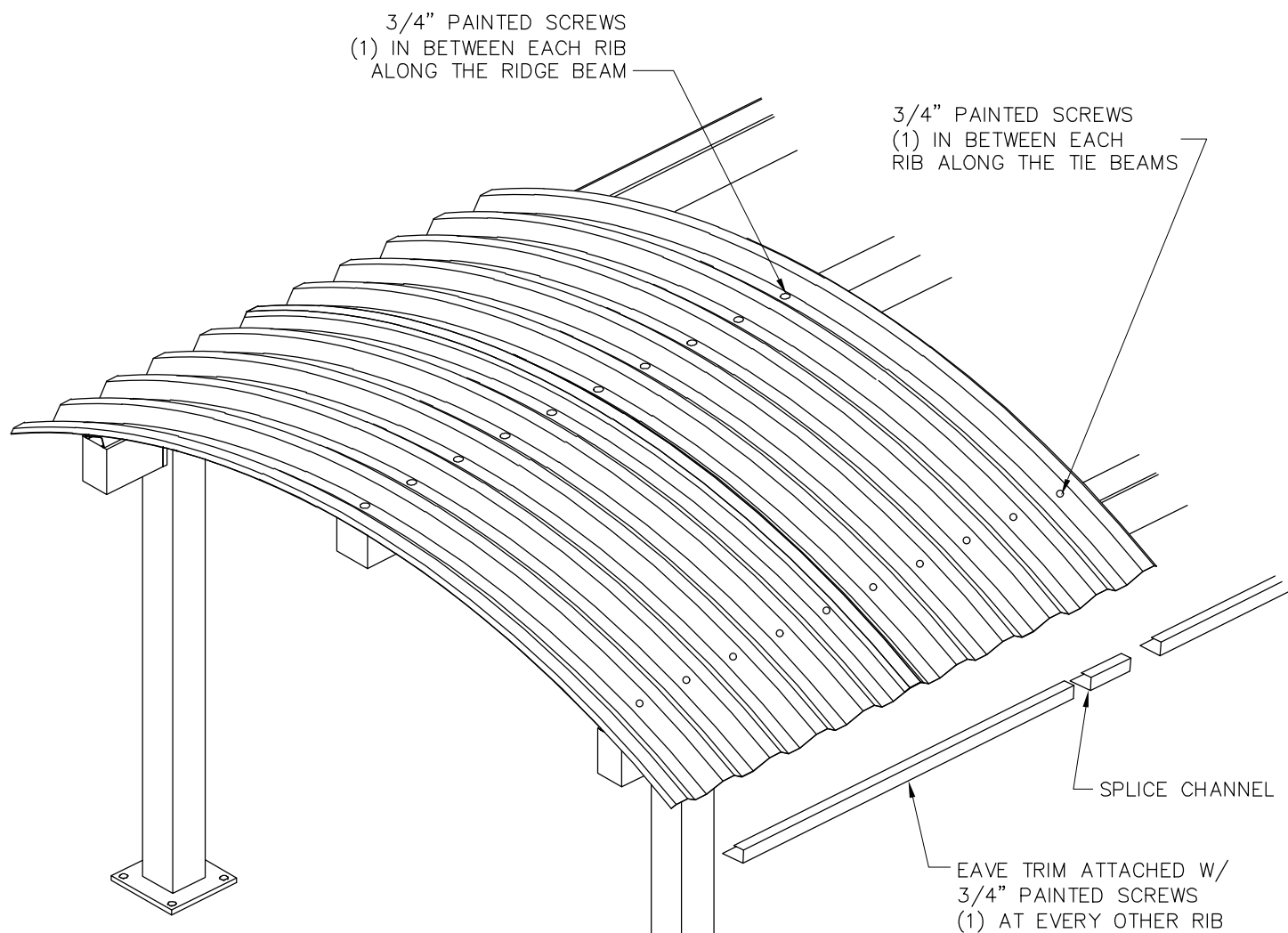
DWG:Shelters\UB\6X12\G-P5-35-90-30\Drawings\Preliminary\UB6x12G-P5-35-90-30~49188.dwg



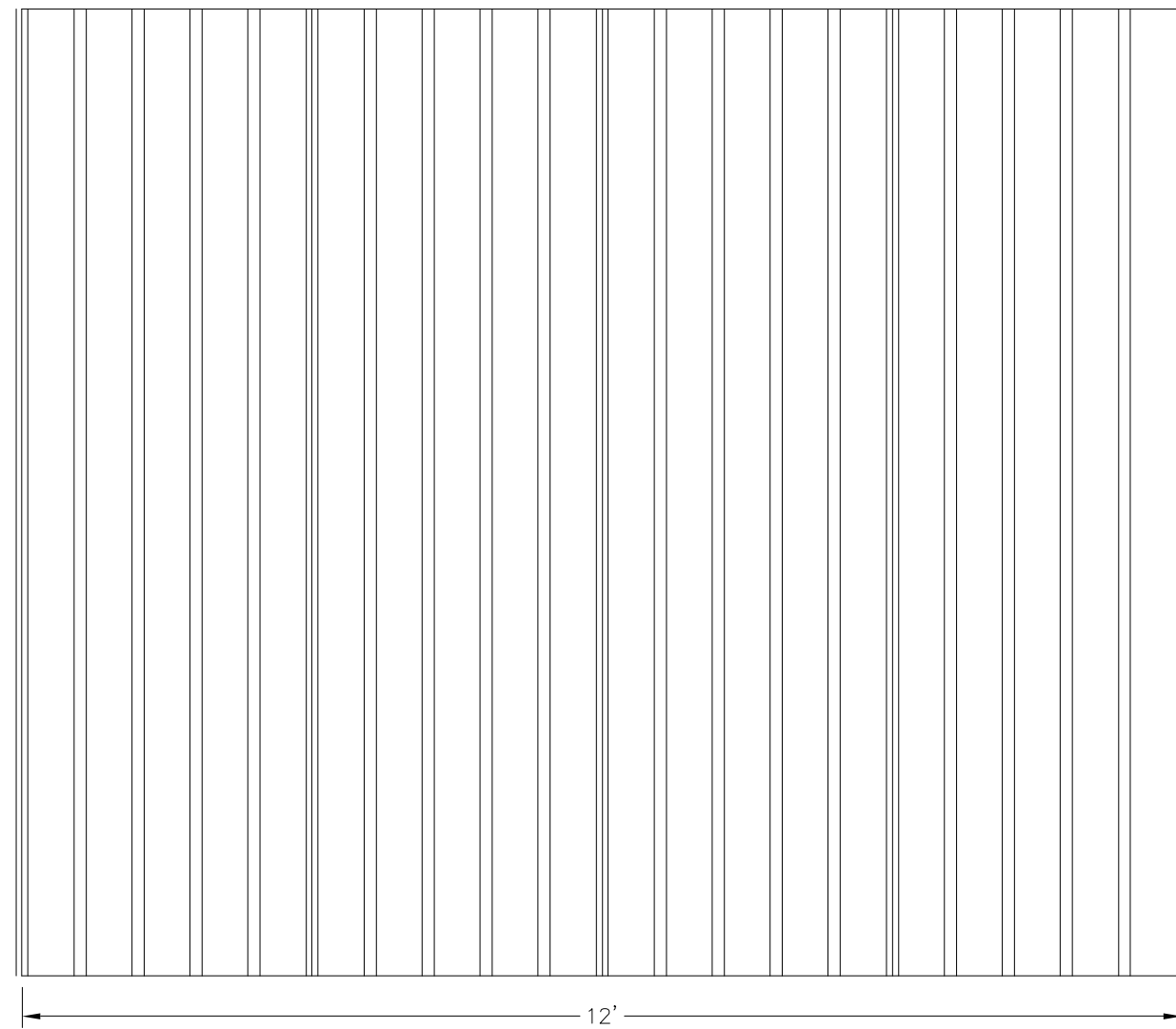
3/4" PAINTED SCREW



MEGA RIB PANEL



NOTE: STANDARD DETAILS SHOWN  
ACTUAL BUILDING MAY VARY



PRELIMINARY: NOT FOR  
CONSTRUCTION

**ICON**  
Shelter Systems Inc  
DISTINCTIVE STEEL SHELTERS  
WWW.ICONSHelters.COM  
COPYRIGHT 2004, ICON SHELTER  
SYSTEMS, INC.

1455 LINCOLN AVE.  
HOLLAND MI, 49423

616.396.0919  
800.748.0985  
616.396.0944 FX

Roof Layout

DRAWN BY:

EG

DATE:

7/18/2017

PRELIMINARY ID:

49188

REVISION:

A

BUILDING TYPE:

UB6X12G-P5

PROJECT NAME:

SHEET

4.0

Engineering\AcadStandard\Blocks\Titles\CONCRETE  
GF-73-01-42

DWG:Shelters\UB\6X12\G-P5-35-90-30\Drawings\Preliminary\UB6x12G-P5-35-90-30~49188.dwg