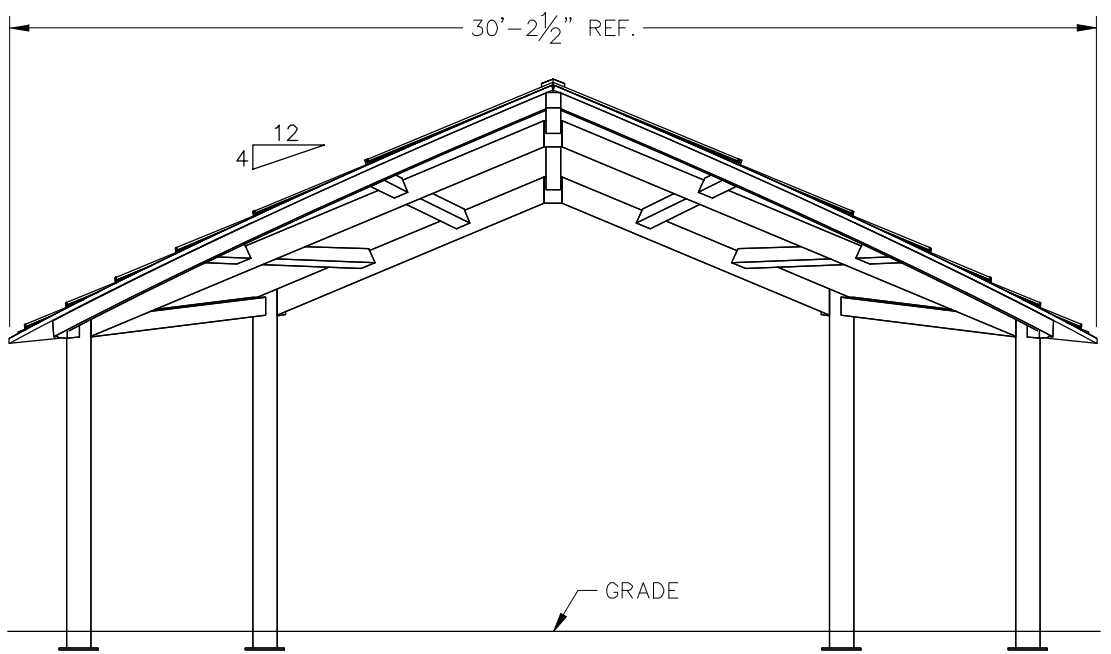
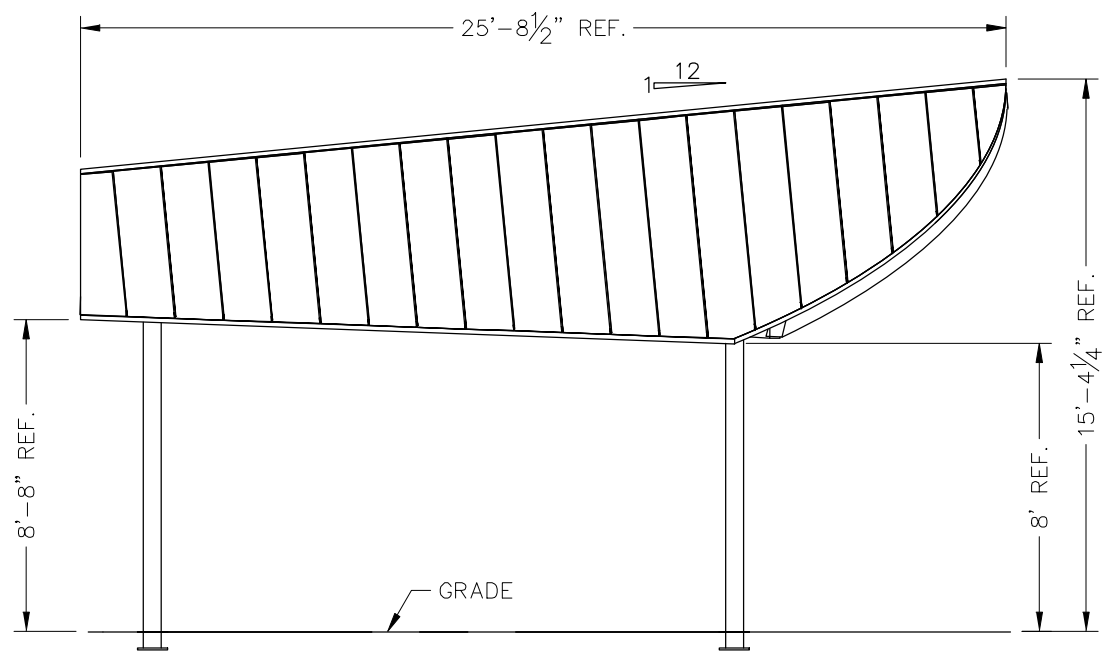


PRELIMINARY: NOT FOR CONSTRUCTION

ICON
 Shelter Systems Inc
 DISTINCTIVE STEEL SHELTERS
 WWW.ICONSHelters.COM
 COPYRIGHT 2004, ICON SHELTER SYSTEMS, INC.
 1455 LINCOLN AVE.
 HOLLAND MI, 49423
 616.396.0919
 800.748.0985
 616.396.0944 FX

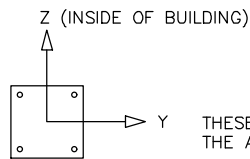
Elevation



DRAWN BY:	ACP
DATE:	4/26/2018
PRELIMINARY ID:	58856
REVISION:	A
BUILDING TYPE:	TRG30X25.5TS-P4
PROJECT NAME:	TAPERED RECTANGULAR GABLE

SHEET
 1.0

DWG:engineering\Standards\Shelters\TRG\30X25.5\TS-P4-20-90-40\Drawings\Preliminary\TRG30x25.5TS-P4-20-90-40~58856.DWG



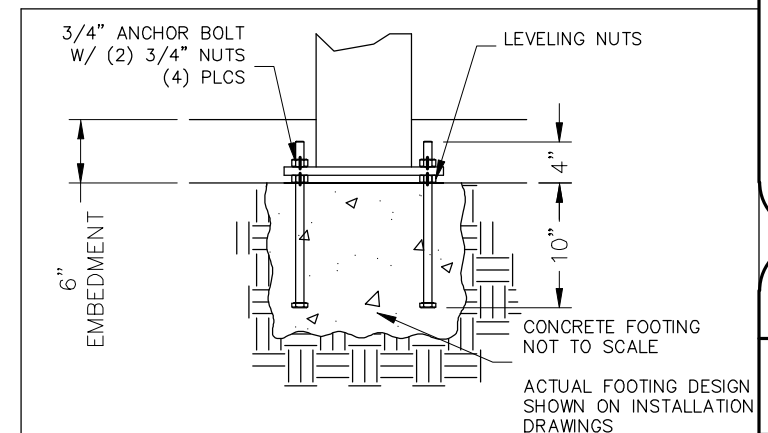
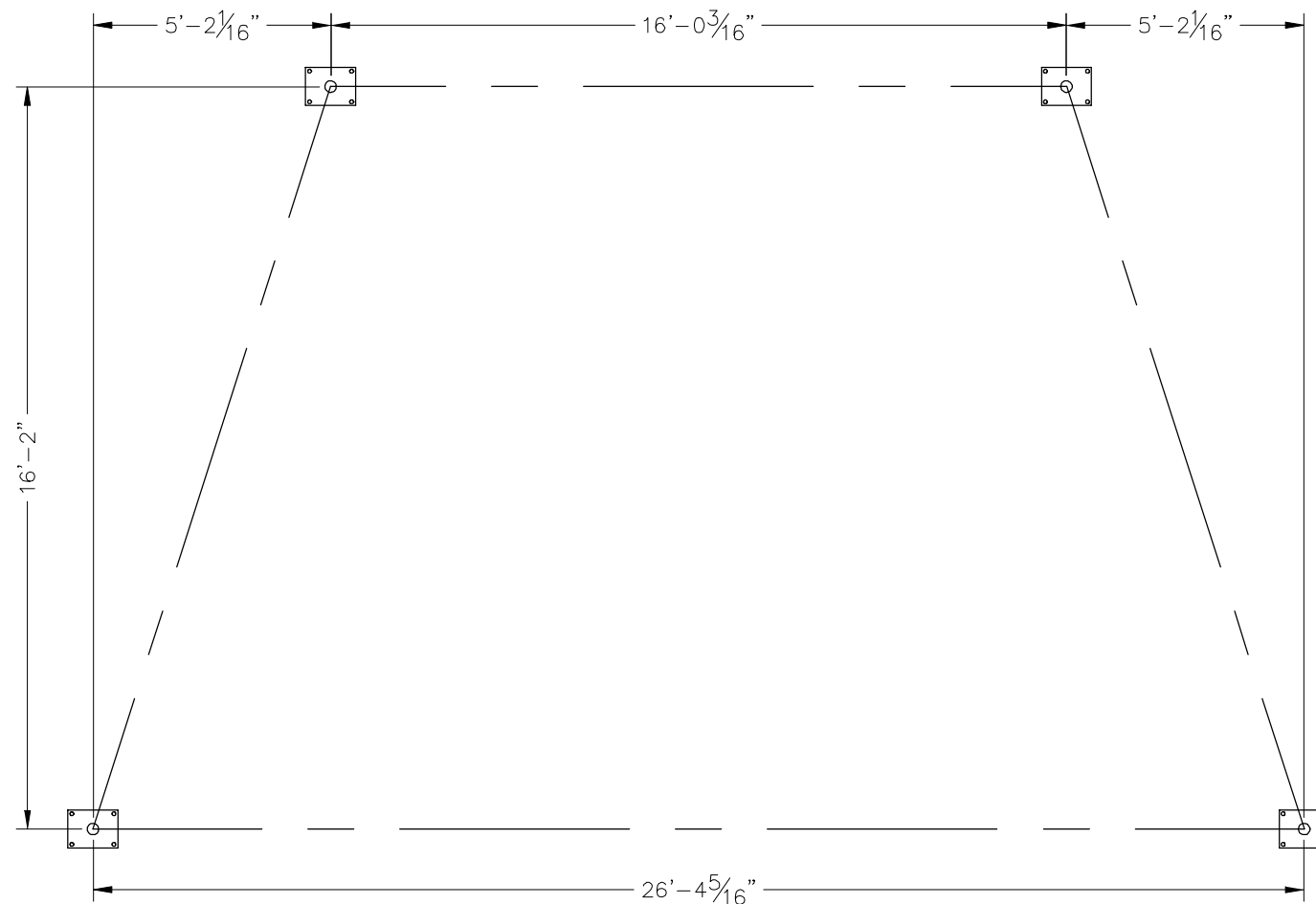
THESE FOUNDATION LOADS ARE FOR ESTIMATING PURPOSE ONLY.
THE ACTUAL LOADS WILL BE DETERMINED IN THE FINAL ENGINEERING

LOADS TO FOUNDATION (KIPS, IN-KIPS)	FOUNDATION LOADS				
	AXIAL (Fx)	SHEAR (Fy)	SHEAR (Fz)	MOMENT (My)	MOMENT (Mz)
DL	1.58	-0.02	0.36	-26.07	-5.43
SL	2.80	-0.05	0.72	-53.42	-14.01
W-UPLIFT	-1.72	0.40	-0.42	32.61	44.21
W-FY	-1.72	0.40	-0.42	32.61	44.21
W-FZ	0.38	0.03	0.59	-63.28	2.68
E-FY	-0.20	0.20	-0.05	4.70	24.71
E-Z	-0.09	0.01	-0.15	16.93	1.03

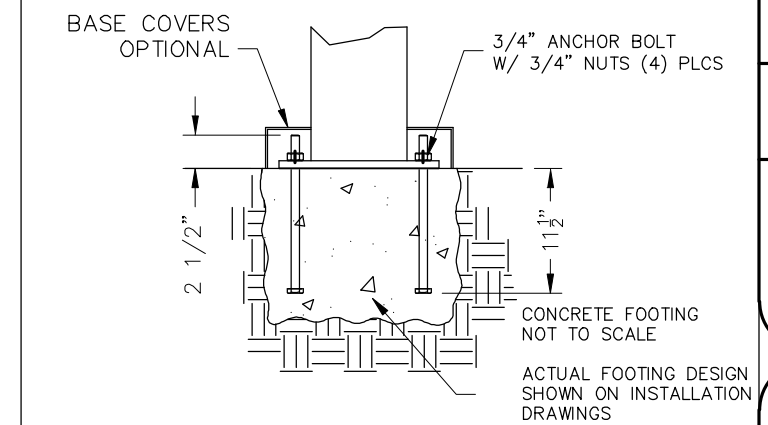
LOADS TO FOUNDATION (KIPS, IN-KIPS)	FOUNDATION LOADS				
	AXIAL (Fx)	SHEAR (Fy)	SHEAR (Fz)	MOMENT (My)	MOMENT (Mz)
DL	2.19	0.04	0.56	-42.60	4.86
SL	4.37	0.09	1.23	-94.66	12.43
W-UPLIFT	-2.09	-0.33	-0.56	43.66	-43.91
W-FY	2.59	0.41	0.66	-52.05	51.33
W-FZ	0.67	0.01	0.87	-92.88	1.55
E-FY	0.20	0.20	0.05	-4.94	24.76
E-Z	-0.14	0.01	-0.20	23.27	1.13

NOTES:
 - TABLE SHOWS UNFACTORED SERVICE LOADS
 - A FOUNDATION DESIGN HAS NOT BEEN PERFORMED BY ICON SHELTER SYSTEMS INC.
 - A LICENSED ENGINEER FAMILIAR WITH SOIL CONDITIONS AT CONSTRUCTION SITE MUST PERFORM A FOUNDATION DESIGN.
 - THE STRUCTURE HAS BEEN ENGINEERED AS AN OPEN STRUCTURE.
 - CONSULT ICON SHELTER SYSTEMS INC. IF THE STRUCTURE IS TO BE ENCLOSED.
 - COORDINATES ARE LOCAL TO THE COLUMN

DEFINITIONS:
 DL = SERVICE LEVEL DEAD LOAD REACTION WITH THE GREATEST AXIAL LOAD
 SL = SERVICE LEVEL SNOW LOAD REACTION WITH THE GREATEST AXIAL LOAD
 W-UL = SERVICE LEVEL WIND LOAD REACTION WITH THE GREATEST UPLIFT LOAD
 W-Y = SERVICE LEVEL WIND LOAD REACTION WITH THE GREATEST MAGNITUDE OF SHEAR IN THE LOCAL Y DIRECTION
 W-Z = SERVICE LEVEL WIND LOAD REACTION WITH THE GREATEST SHEAR VALUE ACTING IN THE SAME DIRECTION AS THE DL SHEAR LOAD
 E-Y = SERVICE LEVEL SEISMIC LOAD REACTION WITH THE GREATEST MAGNITUDE OF SHEAR IN THE LOCAL Y DIRECTION
 E-Z = SERVICE LEVEL SEISMIC LOAD REACTION WITH THE GREATEST MAGNITUDE OF SHEAR IN THE LOCAL Z DIRECTION



PRELIMINARY DRAWINGS SHOWN AS 6" BURIED
 STANDARD BASE CONNECTION
 COLUMN TYPE: A (6" BURIED)



OPTIONAL BASE CONNECTION
 COLUMN TYPE: B (SURFACE MOUNT W/ COVERS)

PRELIMINARY: NOT FOR CONSTRUCTION

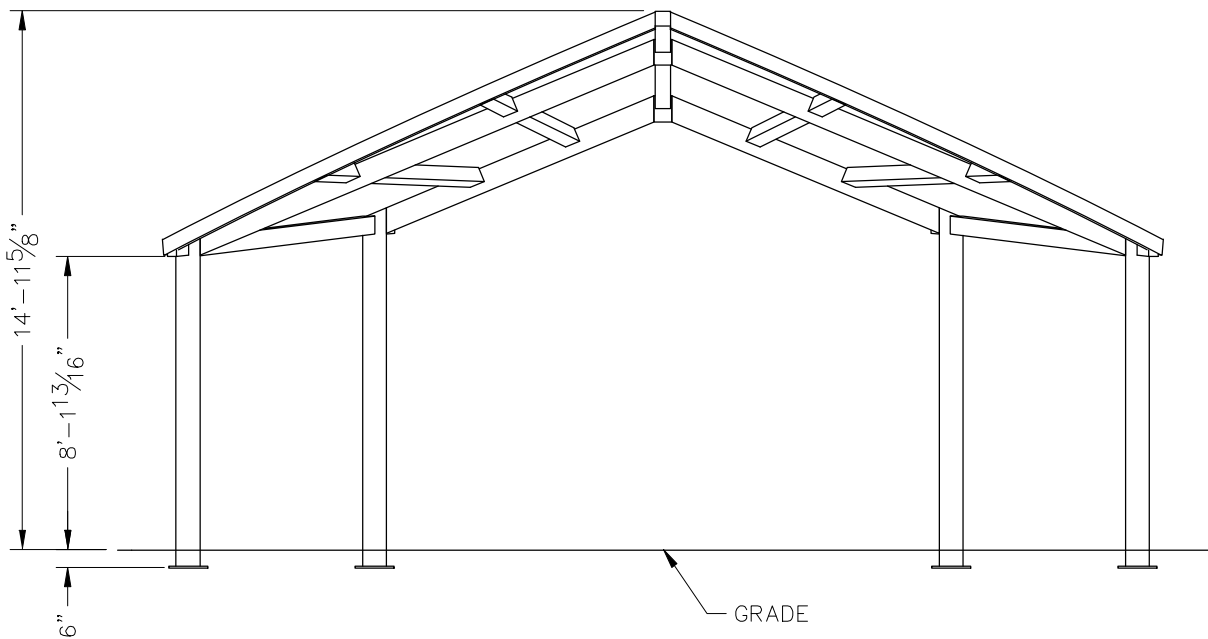
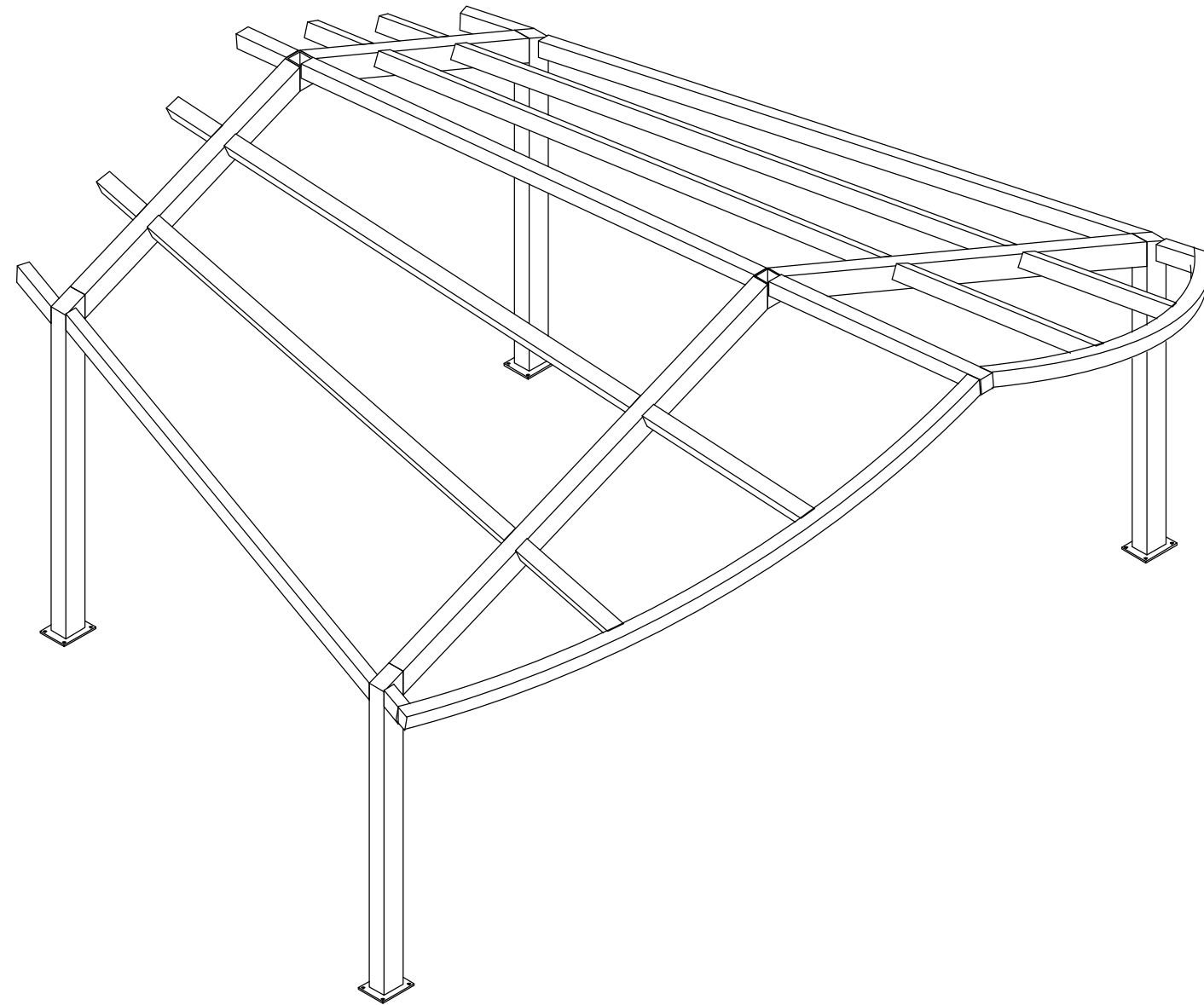
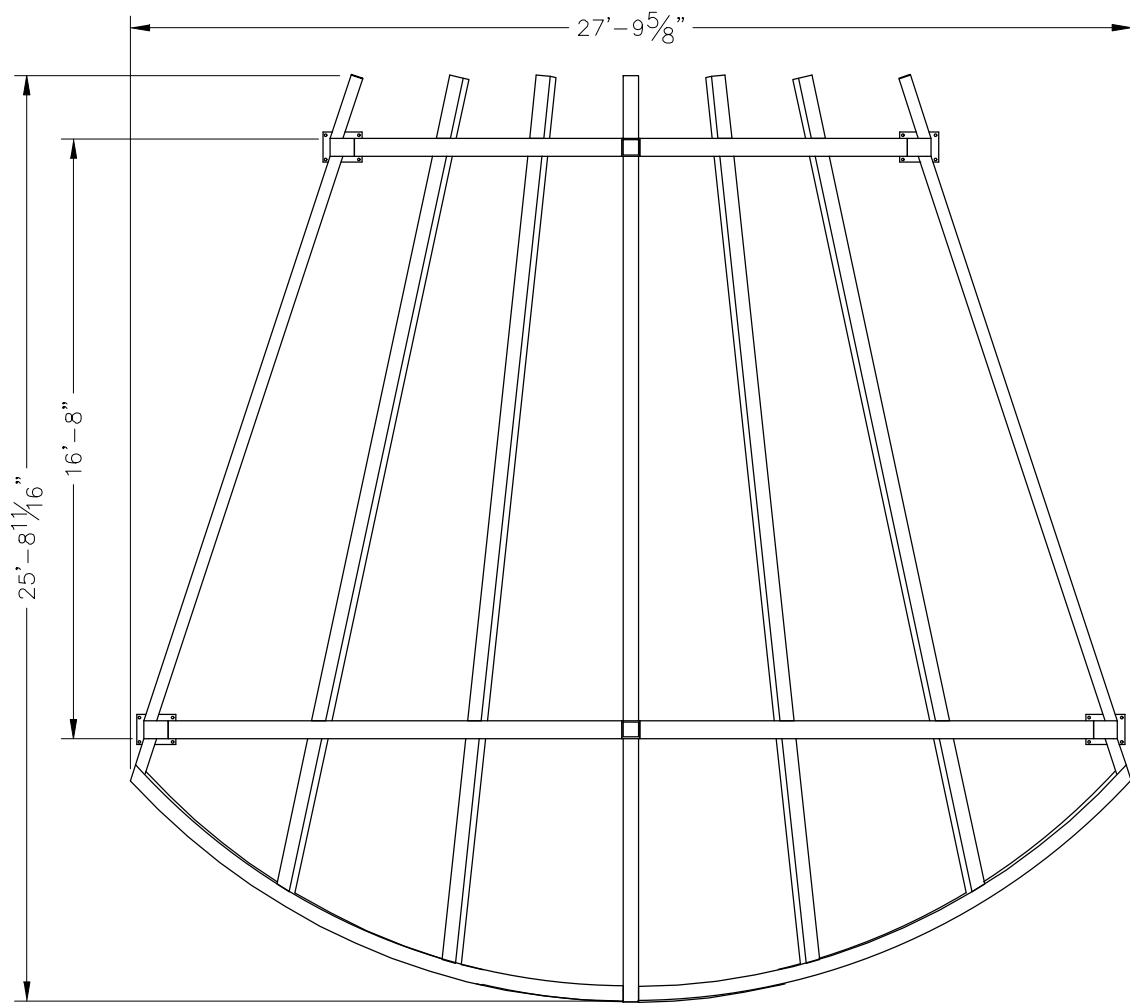
ICON
 Shelter Systems Inc
 DISTINCTIVE STEEL SHELTERS
 WWW.ICONSHELTERS.COM
 COPYRIGHT 2004, ICON SHELTER SYSTEMS, INC.
 1455 LINCOLN AVE.
 HOLLAND MI, 49423
 616.396.0919
 800.748.0985
 616.396.0944 FX

Anchor Bolt Layout

DRAWN BY:
 ACP
 DATE:
 4/26/2018
 PRELIMINARY ID:
 58856
 REVISION:
 A
 BUILDING TYPE:
 TRG30X25.5TS-P4
 PROJECT NAME:
 TAPERED RECTANGULAR GABLE

SHEET
 2.0

DWG:engineering\Standards\Shelters\TRG\30X25.5\TS-P4-20-90-40\Drawings\Preliminary\TRG30x25.5TS-P4-20-90-40~58856.DWG



PRELIMINARY: NOT FOR
CONSTRUCTION

ICON
Shelter Systems Inc
DISTINCTIVE STEEL SHELTERS
WWW.ICONSHELTERS.COM
COPYRIGHT 2004, ICON SHELTER
SYSTEMS, INC.
1455 LINCOLN AVE.
HOLLAND MI, 49423
616.396.0919
800.748.0985
616.396.0944 FX

Frame

DRAWN BY:

ACP

DATE:

4/26/2018

PRELIMINARY ID:

58856

REVISION:

A

BUILDING TYPE:

TRG30X25.5TS-P4

PROJECT NAME:

TAPERED
RECTANGULAR
GABLE

SHEET

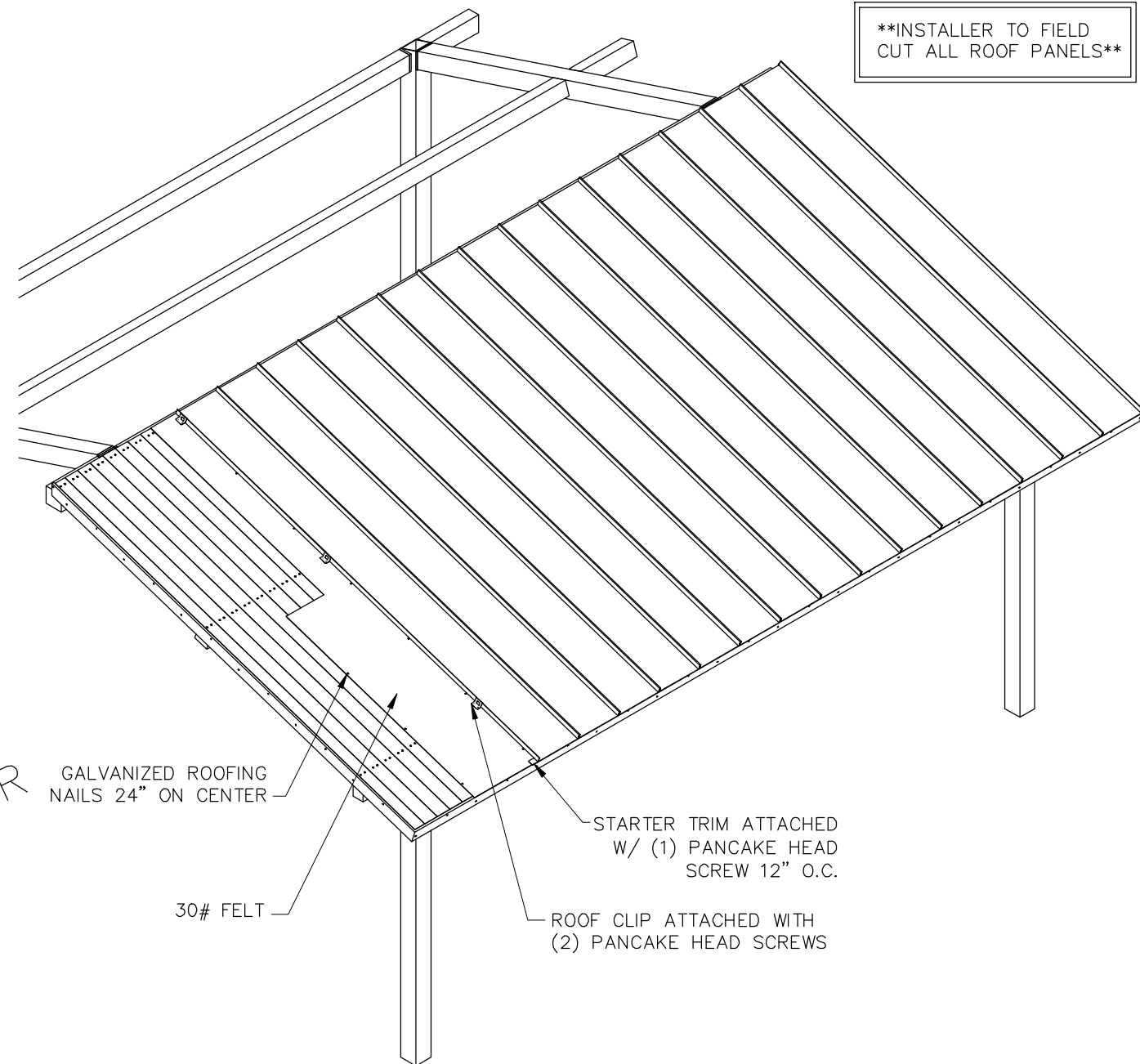
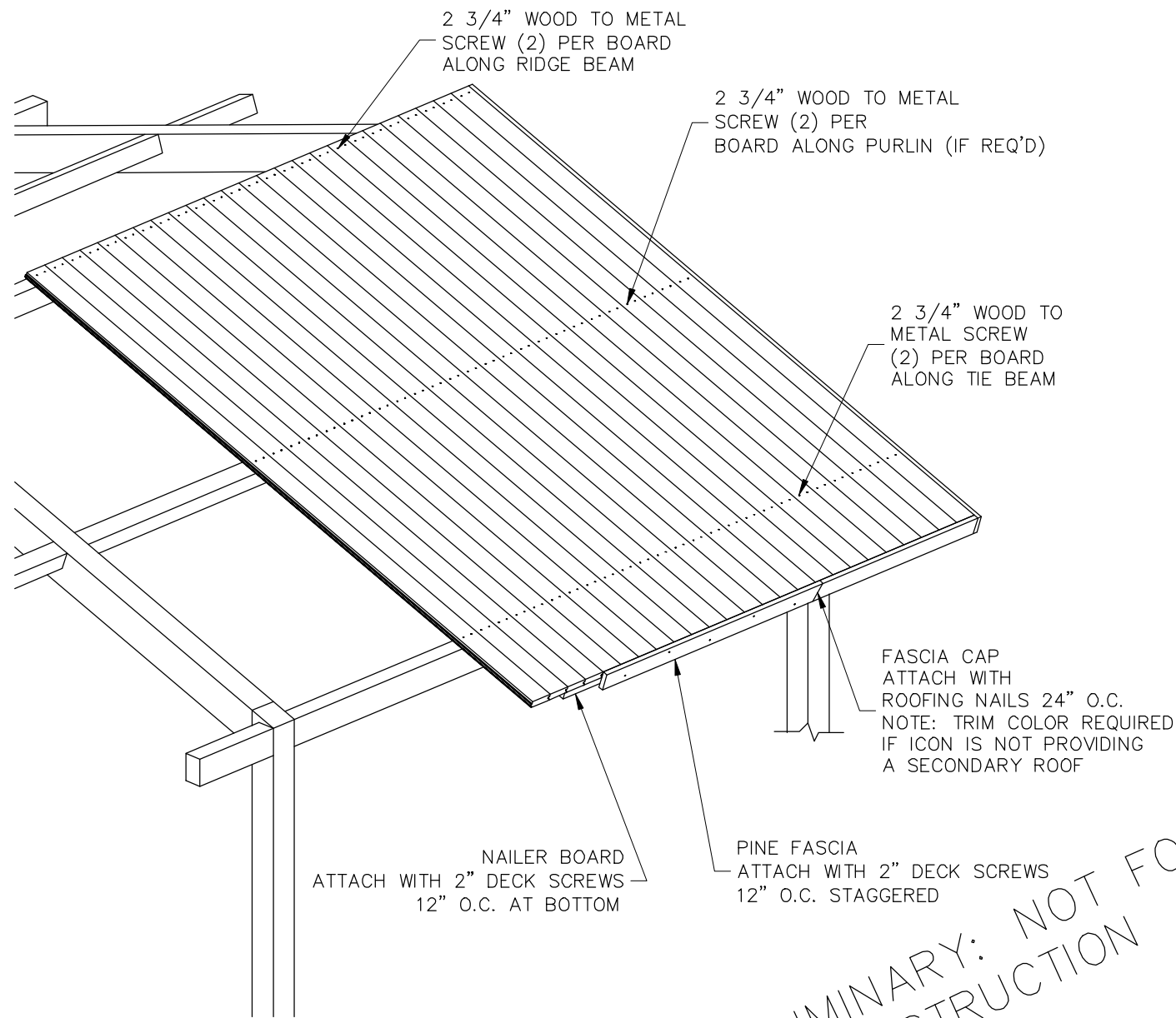
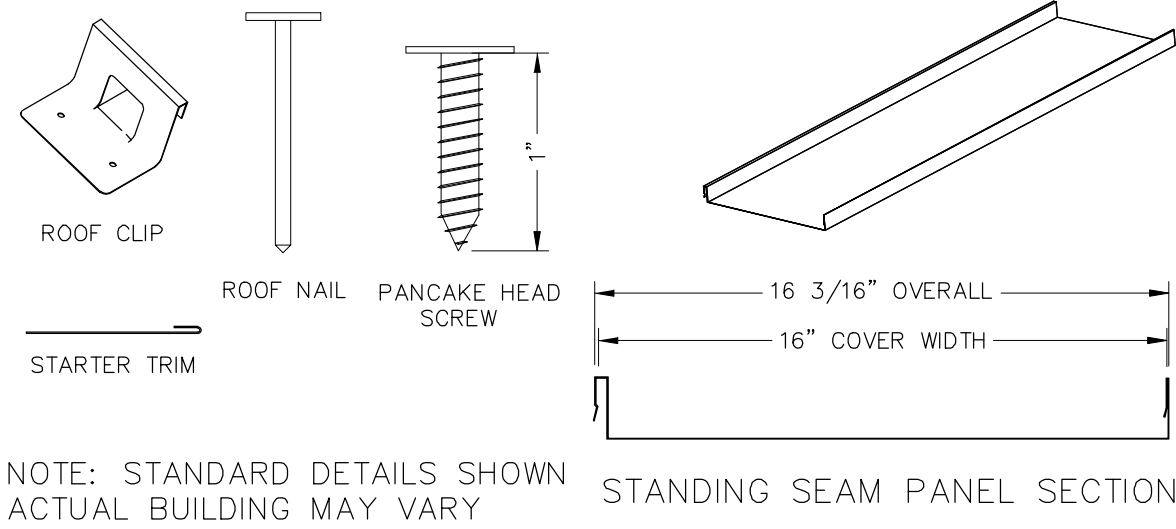
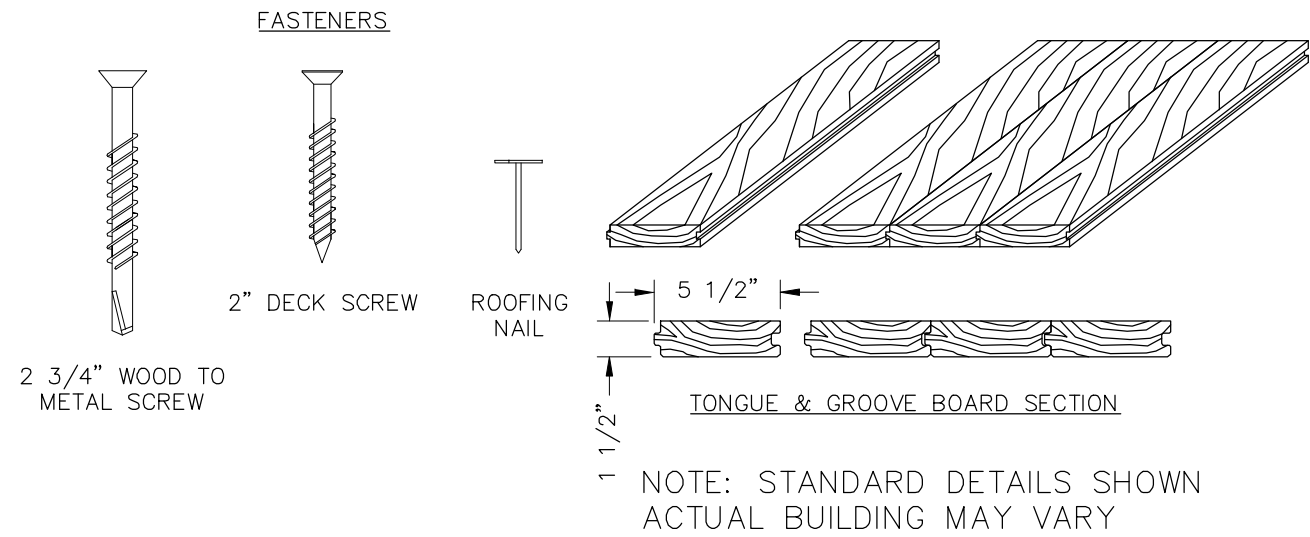
3.0

ALL STRUCTURAL COMPONENTS WILL BE:
TUBE: ASTM A500 GRADE B
PLATE: ASTM A36
BOLTS: ASTM A325
NUTS: ASTM A563
WELDING: GMAW

NOTE:
COLUMN SIZE: HSS 8x6x3/16

DWG:engineering\Standards\Shelters\TRG\30X25.5\TS-P4-20-90-40\Drawings\Preliminary\TRG30x25.5TS-P4-20-90-40~58856.DWG

Engineering\AcadStandards\Blocks\Titles\ICONPRETIT
QF-73-01-42



PRELIMINARY: NOT FOR CONSTRUCTION

ICON
Shelter Systems Inc
DISTINCTIVE STEEL SHELTERS
WWW.ICONSHelters.COM
COPYRIGHT 2004, ICON SHELTER SYSTEMS, INC.
1455 LINCOLN AVE.
HOLLAND MI, 49423
616.396.0919
800.748.0985
616.396.0944 FX

Roof Layout

DRAWN BY:	ACP
DATE:	4/26/2018
PRELIMINARY ID:	58856
REVISION:	A
BUILDING TYPE:	TRG30X25.5TS-P4
PROJECT NAME:	TAPERED RECTANGULAR GABLE

SHEET
4.0

DWG:engineering\Standards\Shelters\TRG\30X25.5\TS-P4-20-90-40\Drawings\Preliminary\TRG30x25.5TS-P4-20-90-40~58856.DWG