

PRELIMINARY: NOT FOR CONSTRUCTION

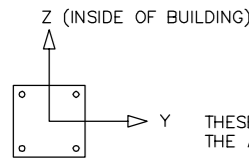
**ICON**  
 Shelter Systems Inc  
 DISTINCTIVE STEEL SHELTERS  
 WWW.ICONSHelters.COM  
 COPYRIGHT 2004, ICON SHELTER SYSTEMS, INC.  
 1455 LINCOLN AVE.  
 HOLLAND MI, 49423  
 616.396.0919  
 800.748.0985  
 616.396.0944 FX

Elevation

DRAWN BY:	ACP
DATE:	1/19/2016
JOB NO.:	STANDARD
REVISION:	
BUILDING TYPE:	TH12-20Z-P10
PROJECT NAME:	

SHEET  
 1.0

DWG: \\icon01\Company\Engineering\Standards\TH\12\Z-P10-20-90-30\Drawings\Preliminary\TH12-20Z-P10-20-90-30~41487.DWG

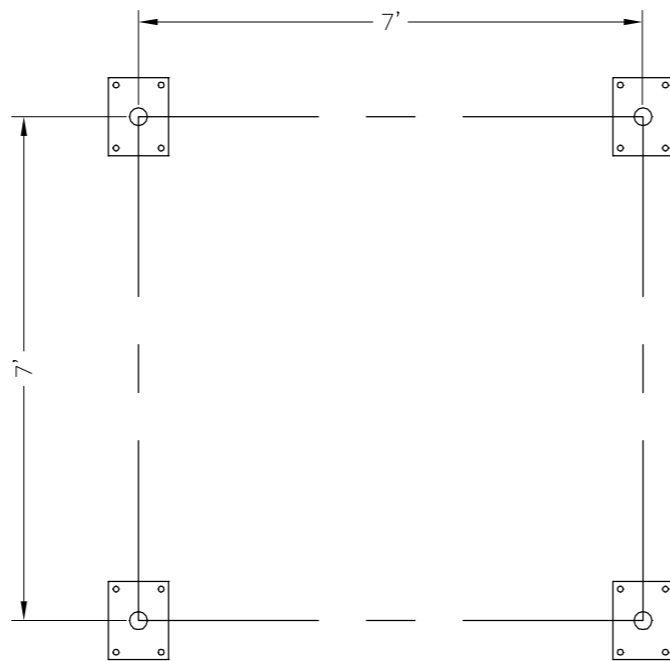


THESE FOUNDATION LOADS ARE FOR ESTIMATING PURPOSE ONLY.  
THE ACTUAL LOADS WILL BE DETERMINED IN THE FINAL ENGINEERING

- NOTES:**
- TABLE SHOWS UNFACTORED SERVICE LOADS
  - A FOUNDATION DESIGN HAS NOT BEEN PERFORMED BY ICON SHELTER SYSTEMS INC.
  - A LICENSED ENGINEER FAMILIAR WITH SOIL CONDITIONS AT CONSTRUCTION SITE MUST PERFORM A FOUNDATION DESIGN.
  - THE STRUCTURE HAS BEEN ENGINEERED AS AN OPEN STRUCTURE.
  - CONSULT ICON SHELTER SYSTEMS INC. IF THE STRUCTURE IS TO BE ENCLOSED.
  - COORDINATES ARE LOCAL TO THE COLUMN

- DEFINITIONS:**
- DL = SERVICE LEVEL DEAD LOAD REACTION WITH THE GREATEST AXIAL LOAD
  - SL = SERVICE LEVEL SNOW LOAD REACTION WITH THE GREATEST AXIAL LOAD
  - W-UL = SERVICE LEVEL WIND LOAD REACTION WITH THE GREATEST UPLIFT LOAD
  - W-Y = SERVICE LEVEL WIND LOAD REACTION WITH THE GREATEST MAGNITUDE OF SHEAR IN THE LOCAL Y DIRECTION
  - W-Z = SERVICE LEVEL WIND LOAD REACTION WITH THE GREATEST SHEAR VALUE ACTING IN THE SAME DIRECTION AS THE DL SHEAR LOAD
  - E-Y = SERVICE LEVEL SEISMIC LOAD REACTION WITH THE GREATEST MAGNITUDE OF SHEAR IN THE LOCAL Y DIRECTION
  - E-Z = SERVICE LEVEL SEISMIC LOAD REACTION WITH THE GREATEST MAGNITUDE OF SHEAR IN THE LOCAL Z DIRECTION

LOADS TO FOUNDATION (KIPS, IN-KIPS)	FOUNDATION LOADS				
	AXIAL (Fx)	SHEAR (Fy)	SHEAR (Fz)	MOMENT (My)	MOMENT (Mz)
DL	0.93	0.00	0.00	-0.01	0.00
SL	0.76	0.00	0.00	-0.02	0.00
W-UPLIFT	-1.31	0.37	-0.37	34.44	34.44
W-FY	0.63	-0.37	0.37	-34.34	-34.34
W-FZ	-1.31	-0.37	-0.37	34.44	-34.44
E-FY	-1.31	-0.29	-0.29	32.55	-32.45
E-Z	-1.31	-0.29	-0.29	32.55	-32.45

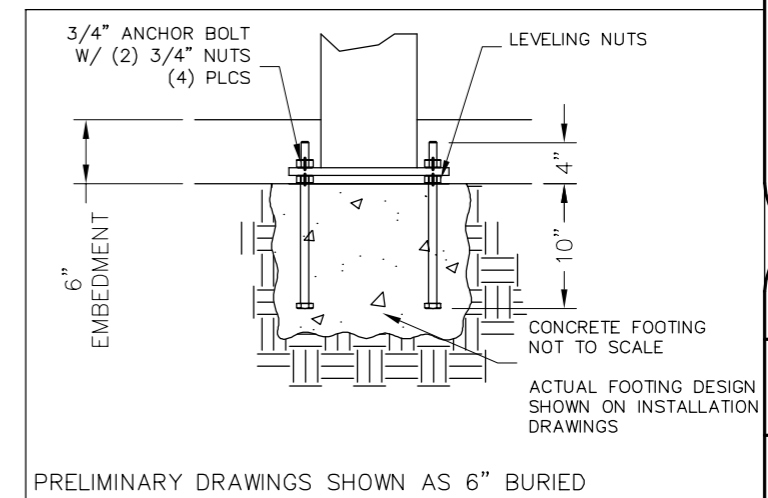


PRELIMINARY: NOT FOR CONSTRUCTION

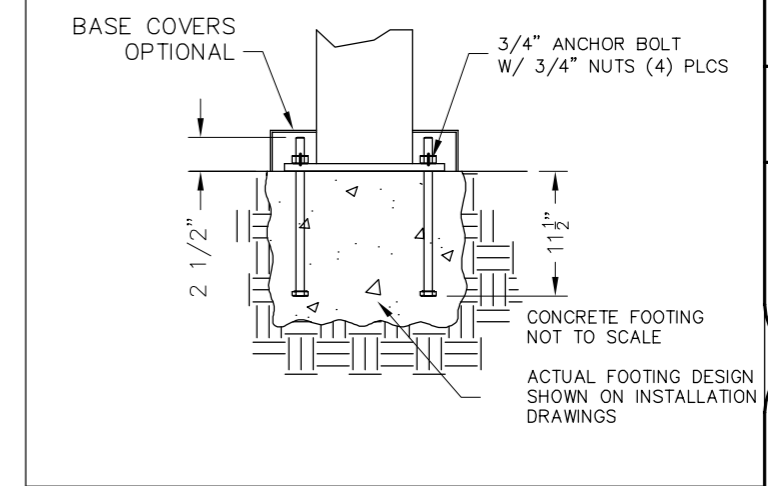
**ICON**  
Shelter Systems Inc  
DISTINCTIVE STEEL SHELTERS  
WWW.ICONSHELTERS.COM  
COPYRIGHT 2004, ICON SHELTER SYSTEMS, INC.  
1455 LINCOLN AVE.  
HOLLAND MI, 49423  
616.396.0919  
800.748.0985  
616.396.0944 FX

ALL STRUCTURAL COMPONENTS WILL BE:  
TUBE: ASTM A500 GRADE B  
PLATE: ASTM A36  
BOLTS: ASTM A325  
NUTS: ASTM A563  
WELDING: GMAW

**NOTE:**  
COLUMN SIZE: HSS 8x8x1/4



PRELIMINARY DRAWINGS SHOWN AS 6" BURIED  
**STANDARD BASE CONNECTION**  
COLUMN TYPE: A (6" BURIED)



**OPTIONAL BASE CONNECTION**  
COLUMN TYPE: B (SURFACE MOUNT W/ COVERS)

Anchor Bolt Layout

DRAWN BY:	ACP
DATE:	1/19/2016
JOB NO.:	STANDARD
REVISION:	
BUILDING TYPE:	TH12-20Z-P10
PROJECT NAME:	

**SHEET**  
**2.0**

DWG: \\icon01\Company\Engineering\Standards\TH\12\Z-P10-20-90-30\Drawings\Preliminary\TH12-20Z-P10-20-90-30~41487.DWG

PRELIMINARY: NOT FOR CONSTRUCTION

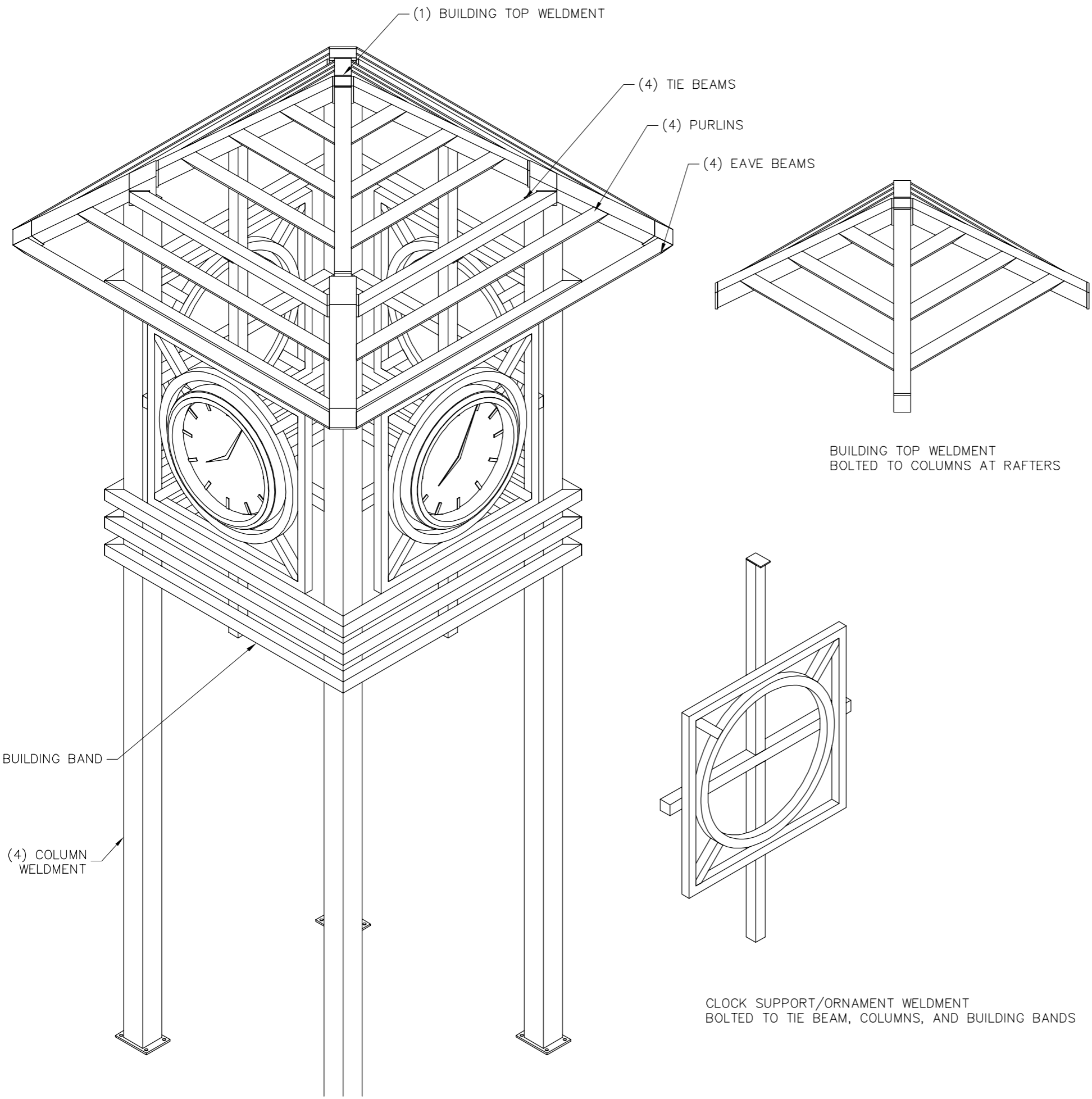
**ICON**  
 Shelter Systems Inc  
 DISTINCTIVE STEEL SHELTERS  
 WWW.ICONSHelters.COM  
 COPYRIGHT 2004, ICON SHELTER SYSTEMS, INC.  
 1455 LINCOLN AVE.  
 HOLLAND MI, 49423  
 616.396.0919  
 800.748.0985  
 616.396.0944 FX

Installation

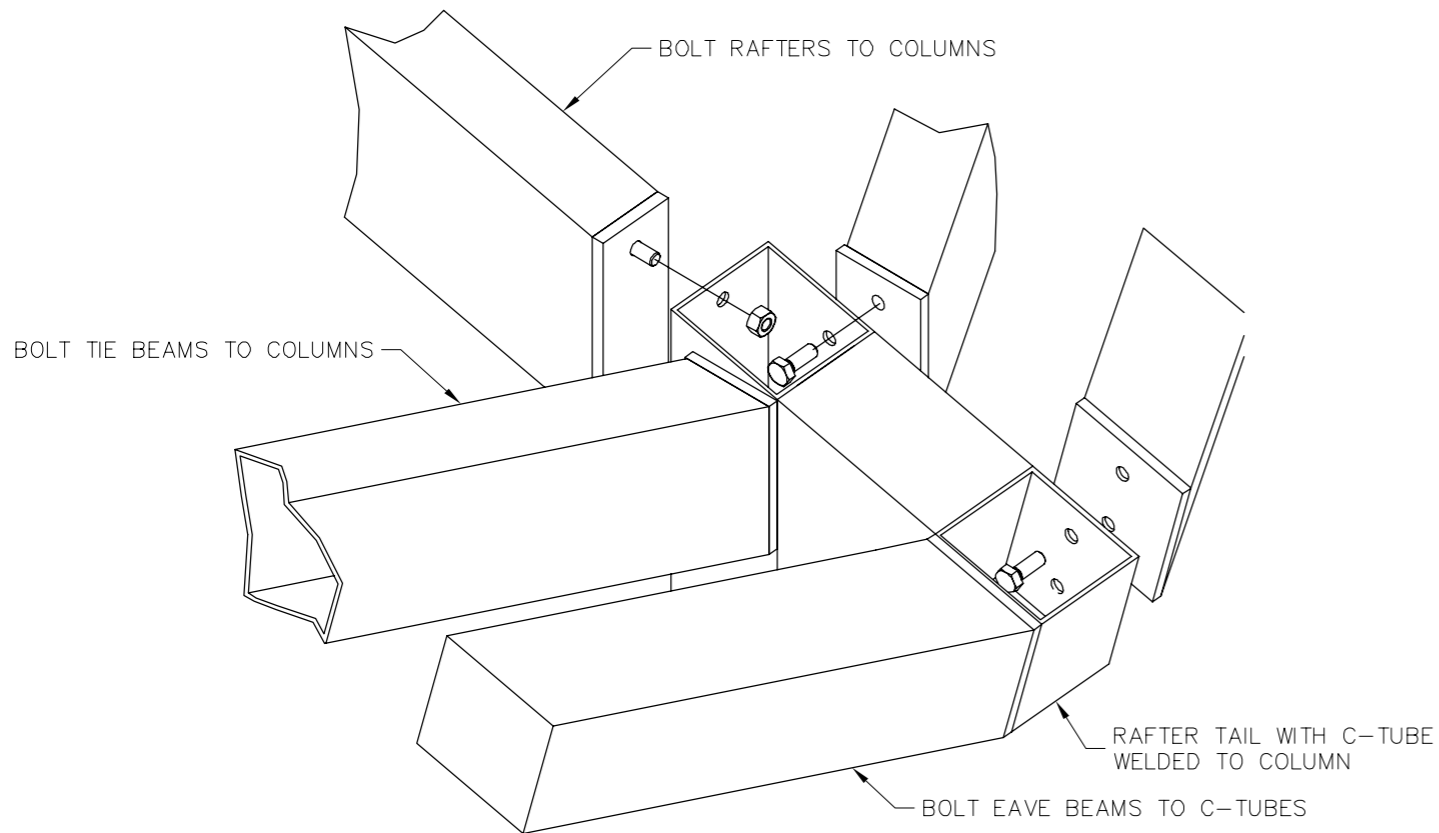
DRAWN BY:	ACP
DATE:	1/19/2016
JOB NO.:	STANDARD
REVISION:	
BUILDING TYPE:	TH12-20Z-P10
PROJECT NAME:	

SHEET  
 2.0

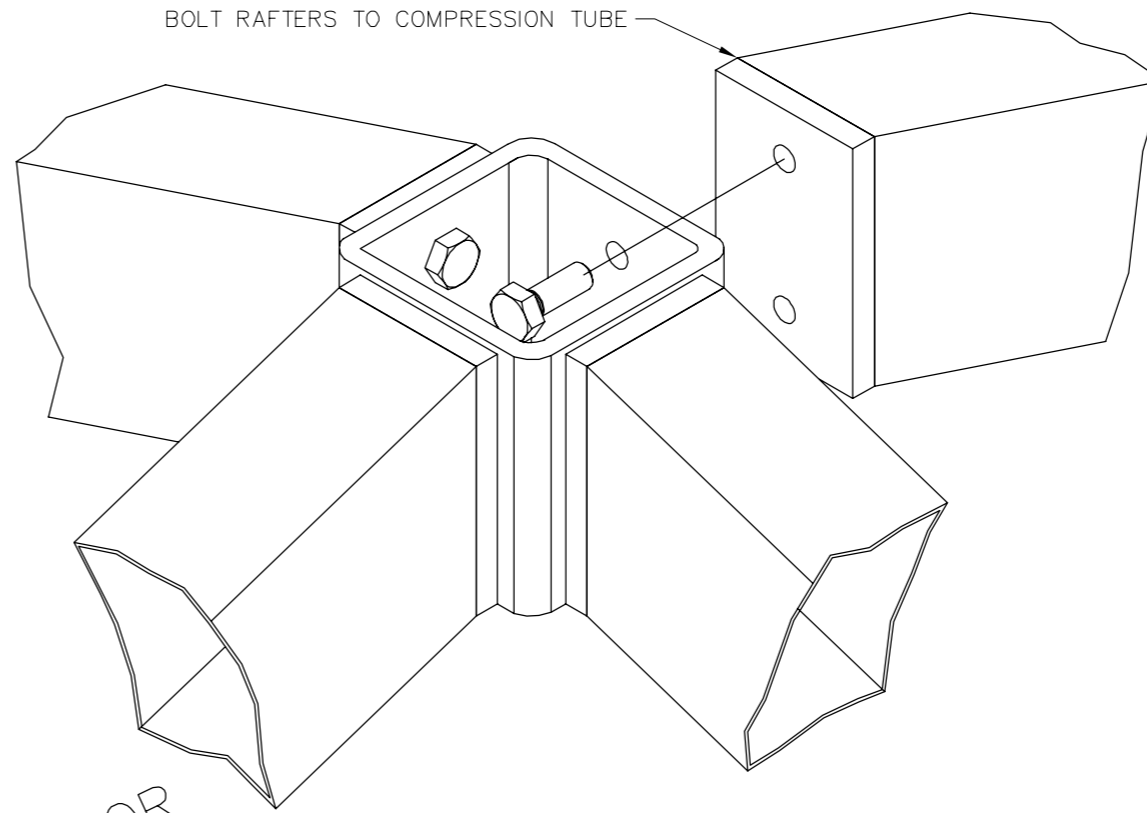
DWG: \\icon01\Company\Engineering\Standards\TH\12\Z-P10-20-90-30\Drawings\Preliminary\TH12-20Z-P10-20-90-30~41487.DWG



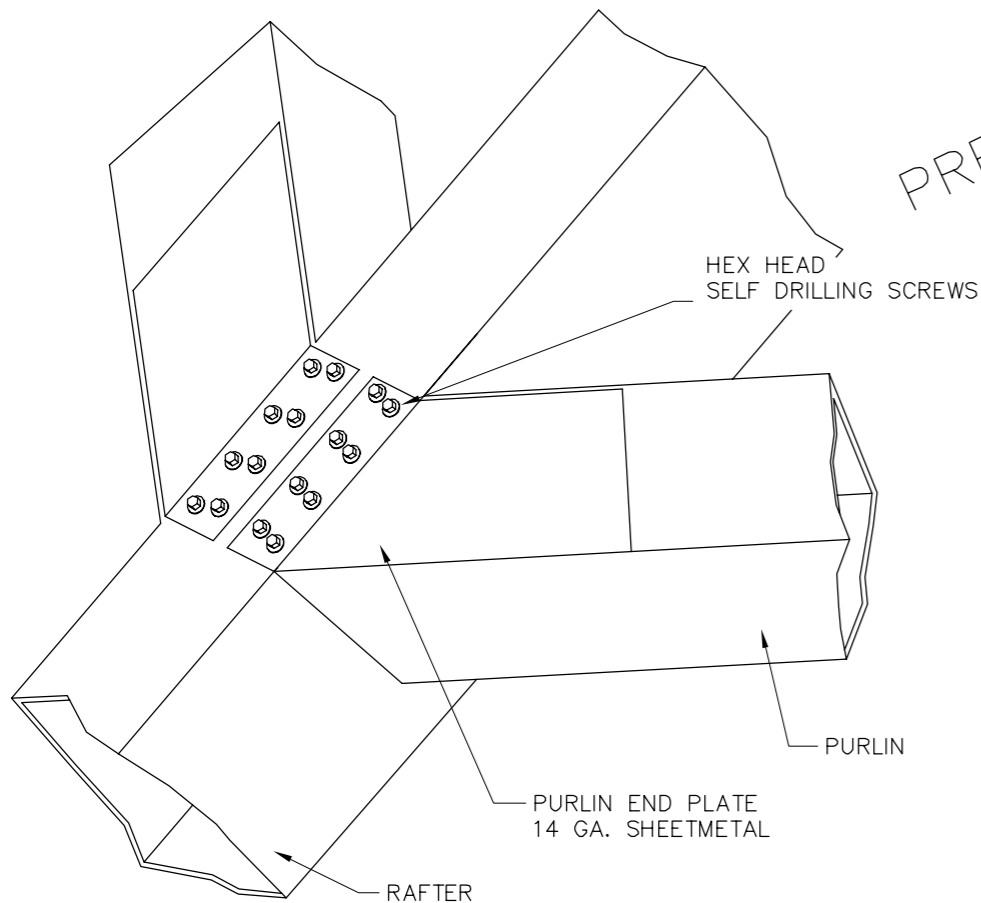
SEE NEXT SHEET FOR INTALLATION DETAILS



RAFTER & TIE BEAM CONNECTION  
AND EAVE BEAM @ COLUMN

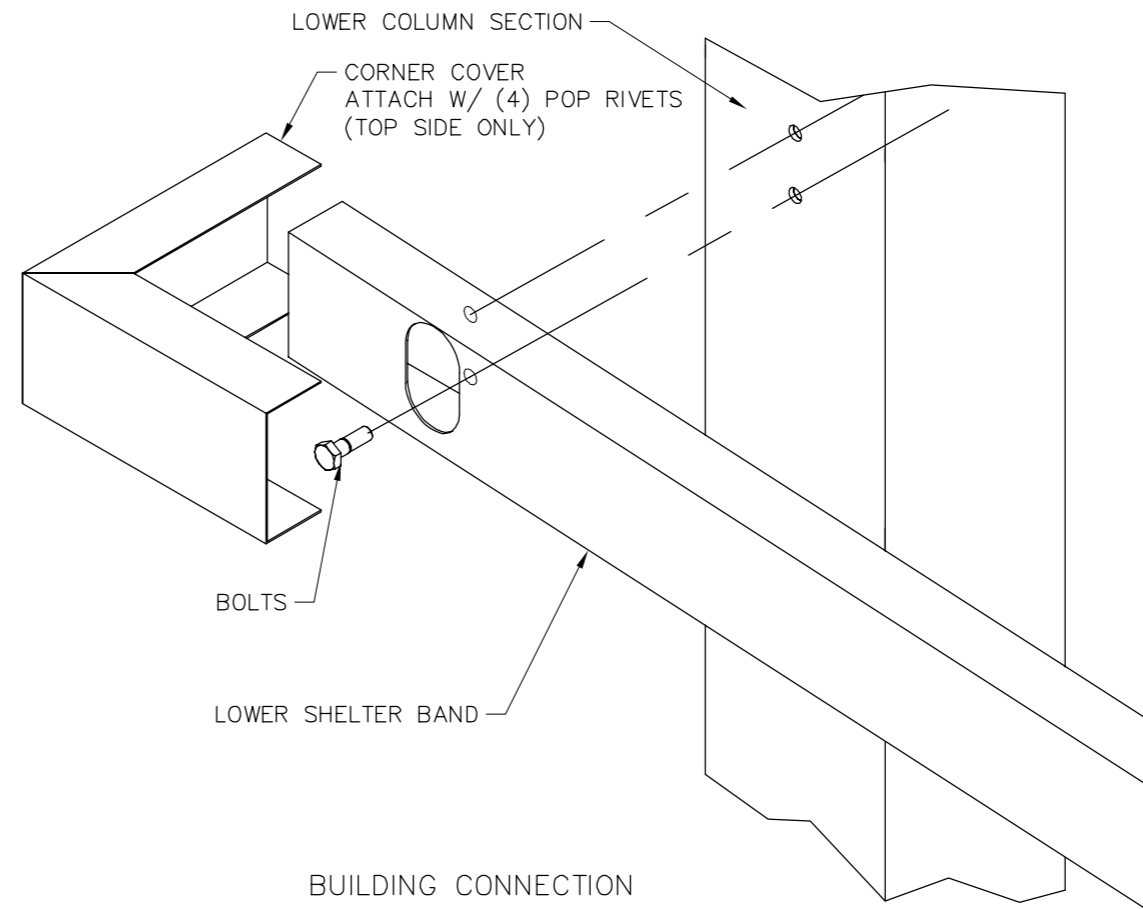


RAFTER & TIE BEAM CONNECTION  
@ COLUMN



RAFTER  
PURLIN CONNECTION  
@ RAFTER

PRELIMINARY: NOT FOR  
CONSTRUCTION



BUILDING CONNECTION

**ICON**  
Shelter Systems Inc  
DISTINCTIVE STEEL SHELTERS  
WWW.ICONSHELTERS.COM  
COPYRIGHT 2004, ICON SHELTER SYSTEMS, INC.  
1455 LINCOLN AVE.  
HOLLAND MI, 49423  
616.396.0919  
800.748.0985  
616.396.0944 FX

Installation

DRAWN BY:	ACP
DATE:	1/19/2016
JOB NO.:	STANDARD
REVISION:	
BUILDING TYPE:	TH12-20Z-P10
PROJECT NAME:	

SHEET  
2.0

DWG: \\icon01\Company\Engineering\Standards\TH\12\Z-P10-20-90-30\Drawings\Preliminary\TH12-20Z-P10-20-90-30~41487.DWG