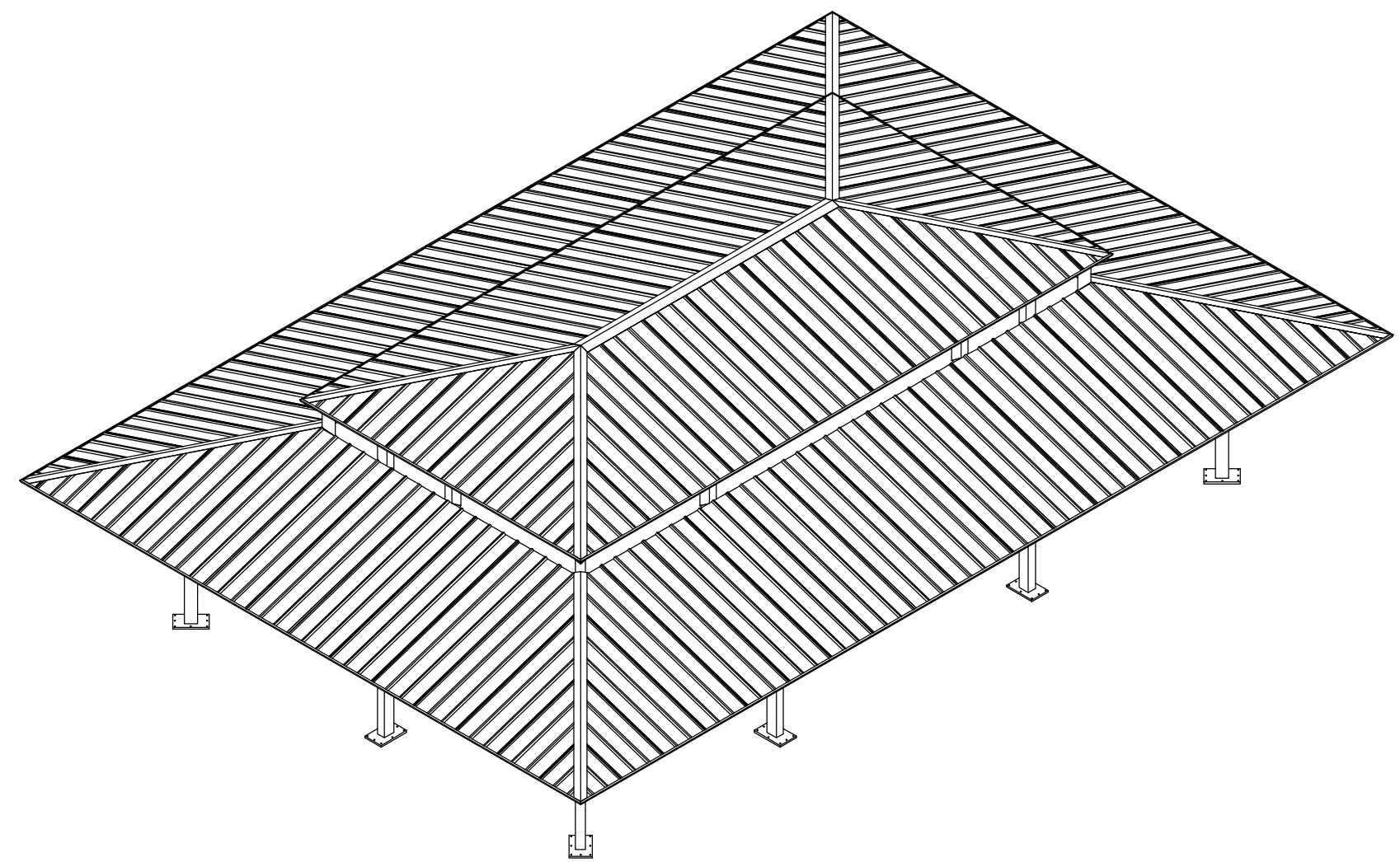


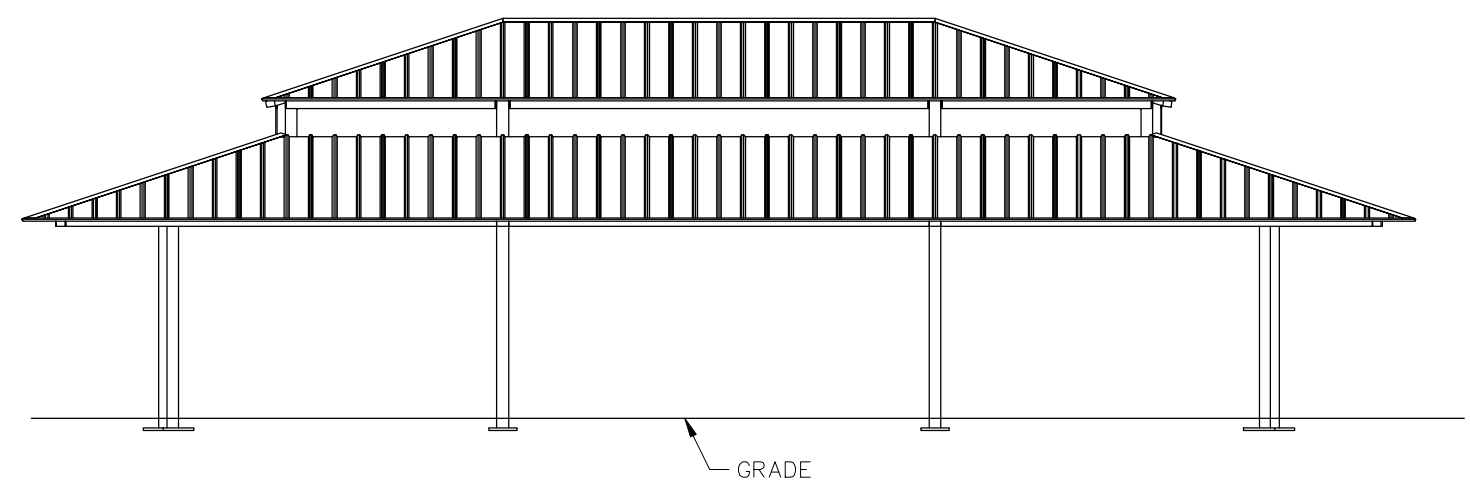
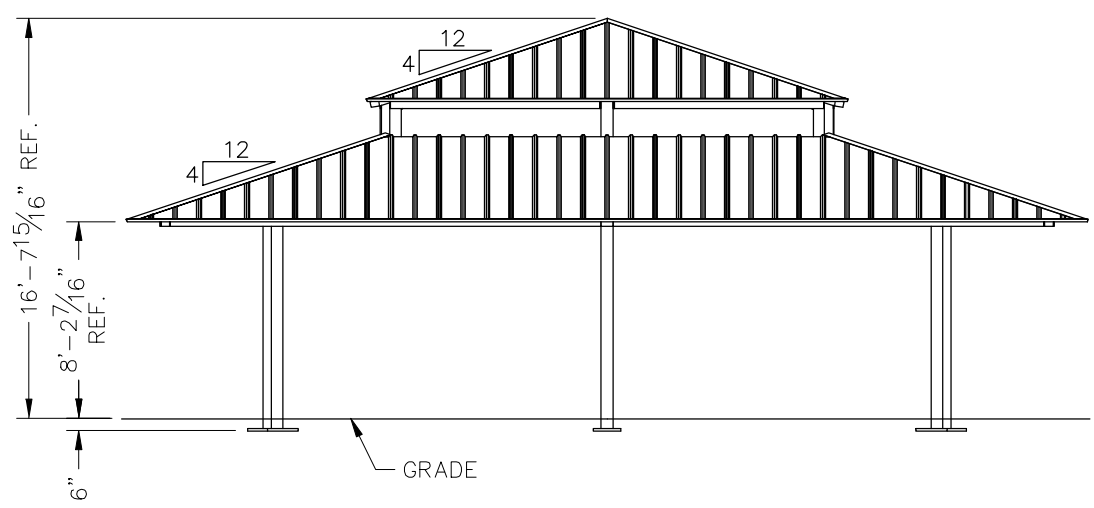
PRELIMINARY: NOT FOR  
CONSTRUCTION

**ICON**  
Shelter Systems Inc  
DISTINCTIVE STEEL SHELTERS  
WWW.ICONSHelters.COM  
COPYRIGHT 2004, ICON SHELTER  
SYSTEMS, INC.  
1455 LINCOLN AVE.  
HOLLAND MI, 49423  
616.396.0919  
800.748.0985  
616.396.0944 FX



Elevation

DRAWN BY:	EG
DATE:	9/11/2018
PRELIMINARY ID:	53387
REVISION:	A
BUILDING TYPE:	RH40X58M2C-P4
PROJECT NAME:	



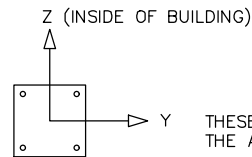
SHEET  
1.0

DWG:RH\40X58\M2C-P4-20-90-150\Drawings\Preliminary\RH40x58M2C-P4-20-90-150~53387.dwg

LOADS TO FOUNDATION (KIPS, IN-KIPS)		FOUNDATION LOADS				
LOAD COMBINATION	AXIAL (Fx)	SHEAR (Fy)	SHEAR (Fz)	MOMENT (My)	MOMENT (Mz)	
DL	2.39	-0.01	0.59	-31.29	-0.81	
SL	7.91	-0.05	2.30	-120.75	-3.24	
W-UPLIFT	-1.32	0.09	-0.06	-28.77	13.02	
W-FY	0.04	-0.57	-0.66	90.09	-40.53	
W-FZ	0.04	0.57	-0.66	90.09	40.53	
E-FY	0.33	-0.32	0.84	-94.19	-29.09	
E-Z	-0.33	-0.32	-0.84	94.19	-29.09	

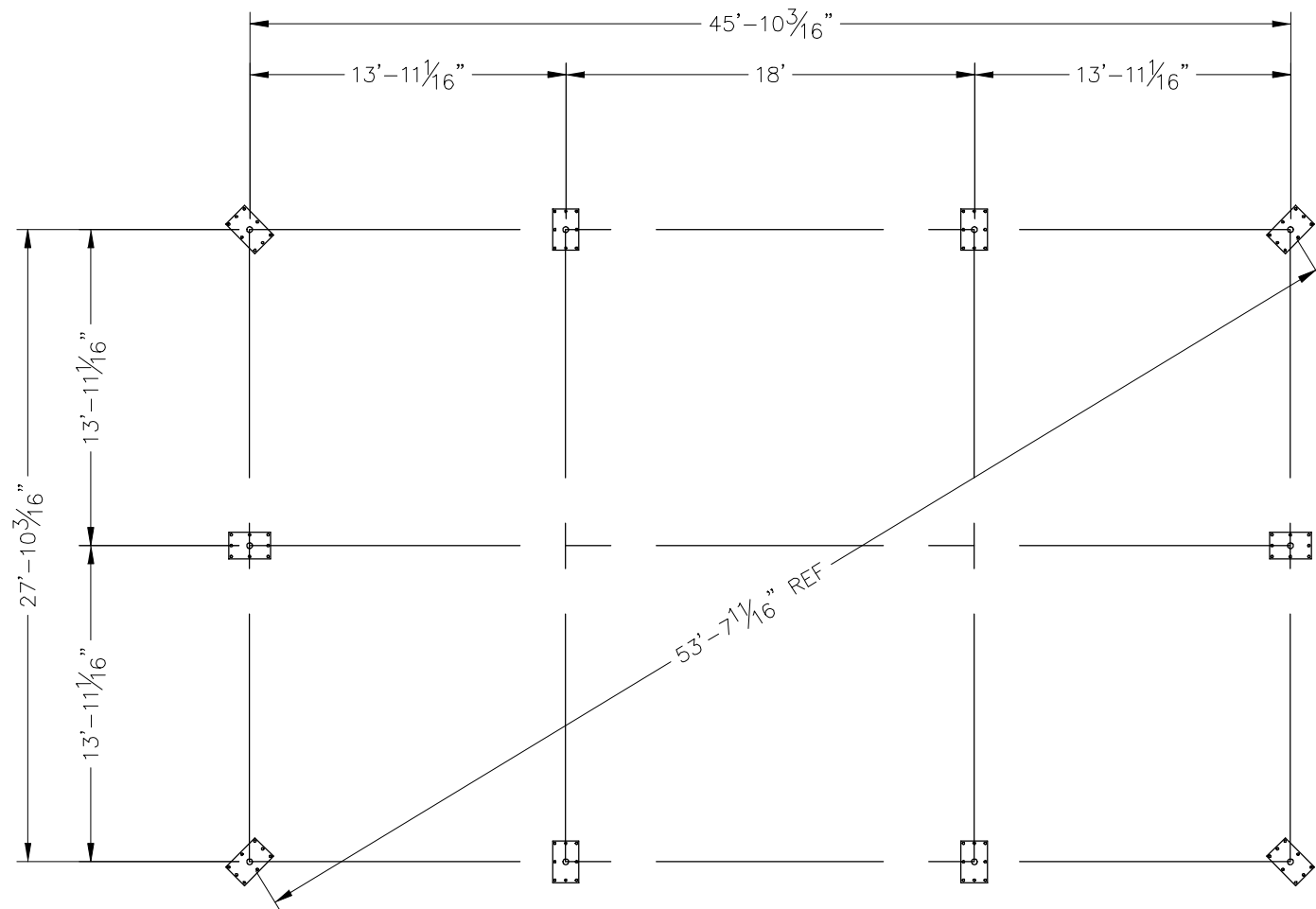
LOADS TO FOUNDATION (KIPS, IN-KIPS)		FOUNDATION LOADS				
LOAD COMBINATION	AXIAL (Fx)	SHEAR (Fy)	SHEAR (Fz)	MOMENT (My)	MOMENT (Mz)	
DL	2.48	0.00	1.06	-71.09	-0.45	
SL	8.98	0.00	4.24	-277.20	-1.67	
W-UPLIFT	-3.58	0.33	-1.54	94.19	26.78	
W-FY	-3.58	-0.33	-1.54	94.19	-26.78	
W-FZ	-3.58	-0.33	-1.54	94.19	-26.78	
E-FY	-0.37	-0.57	-0.34	26.88	-46.41	
E-Z	-0.20	0.00	-0.88	105.00	-0.25	

LOADS TO FOUNDATION (KIPS, IN-KIPS)		FOUNDATION LOADS				
LOAD COMBINATION	AXIAL (Fx)	SHEAR (Fy)	SHEAR (Fz)	MOMENT (My)	MOMENT (Mz)	
DL	2.16	0.00	0.86	-58.38	0.00	
SL	7.29	0.00	3.18	-213.15	0.00	
W-UPLIFT	-2.46	0.00	-0.04	-41.79	0.00	
W-FY	-2.22	-0.62	-0.45	15.96	-49.98	
W-FZ	-2.22	0.62	-0.45	15.96	49.98	
E-FY	0.00	-0.51	0.00	0.00	-41.58	
E-Z	-0.29	0.00	-1.02	119.70	0.00	



THESE FOUNDATION LOADS ARE FOR ESTIMATING PURPOSE ONLY.  
THE ACTUAL LOADS WILL BE DETERMINED IN THE FINAL ENGINEERING

PRELIMINARY: NOT FOR CONSTRUCTION

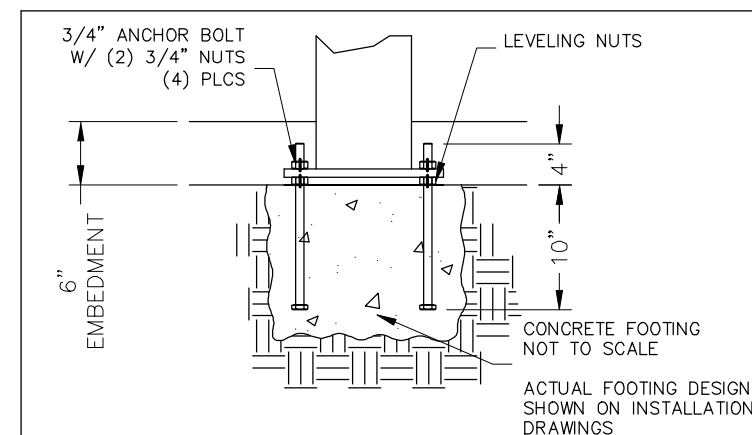


NOTES:

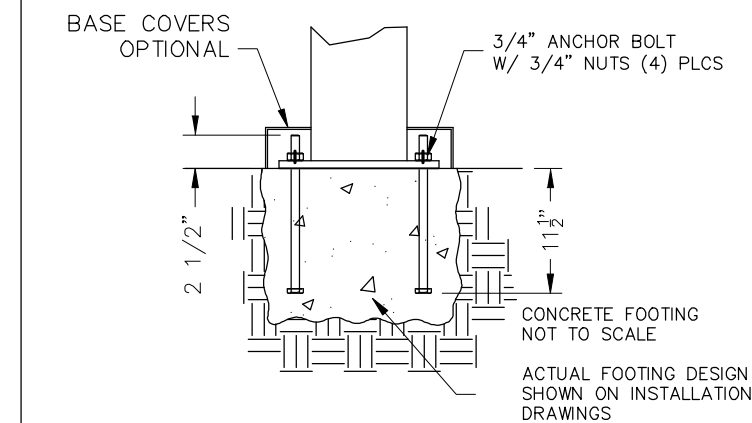
- TABLE SHOWS UNFACTORED SERVICE LOADS
- A FOUNDATION DESIGN HAS NOT BEEN PERFORMED BY ICON SHELTER SYSTEMS INC.
- A LICENSED ENGINEER FAMILIAR WITH SOIL CONDITIONS AT CONSTRUCTION SITE MUST PERFORM A FOUNDATION DESIGN.
- THE STRUCTURE HAS BEEN ENGINEERED AS AN OPEN STRUCTURE.
- CONSULT ICON SHELTER SYSTEMS INC. IF THE STRUCTURE IS TO BE ENCLOSED.
- COORDINATES ARE LOCAL TO THE COLUMN

DEFINITIONS:

- DL = SERVICE LEVEL DEAD LOAD REACTION WITH THE GREATEST AXIAL LOAD
- SL = SERVICE LEVEL SNOW LOAD REACTION WITH THE GREATEST AXIAL LOAD
- W-UL = SERVICE LEVEL WIND LOAD REACTION WITH THE GREATEST UPLIFT LOAD
- W-Y = SERVICE LEVEL WIND LOAD REACTION WITH THE GREATEST MAGNITUDE OF SHEAR IN THE LOCAL Y DIRECTION
- W-Z = SERVICE LEVEL WIND LOAD REACTION WITH THE GREATEST SHEAR VALUE ACTING IN THE SAME DIRECTION AS THE DL SHEAR LOAD
- E-Y = SERVICE LEVEL SEISMIC LOAD REACTION WITH THE GREATEST MAGNITUDE OF SHEAR IN THE LOCAL Y DIRECTION
- E-Z = SERVICE LEVEL SEISMIC LOAD REACTION WITH THE GREATEST MAGNITUDE OF SHEAR IN THE LOCAL Z DIRECTION



PRELIMINARY DRAWINGS SHOWN AS 6" BURIED  
STANDARD BASE CONNECTION  
COLUMN TYPE: A (6" BURIED)



OPTIONAL BASE CONNECTION  
COLUMN TYPE: B (SURFACE MOUNT W/ COVERS)

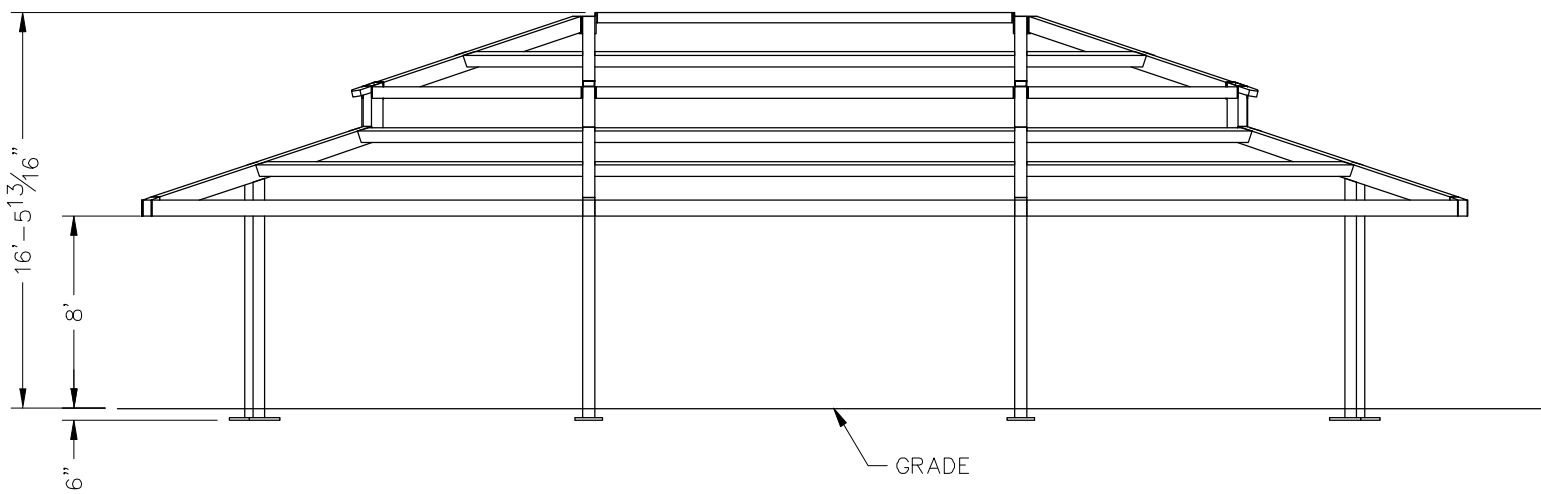
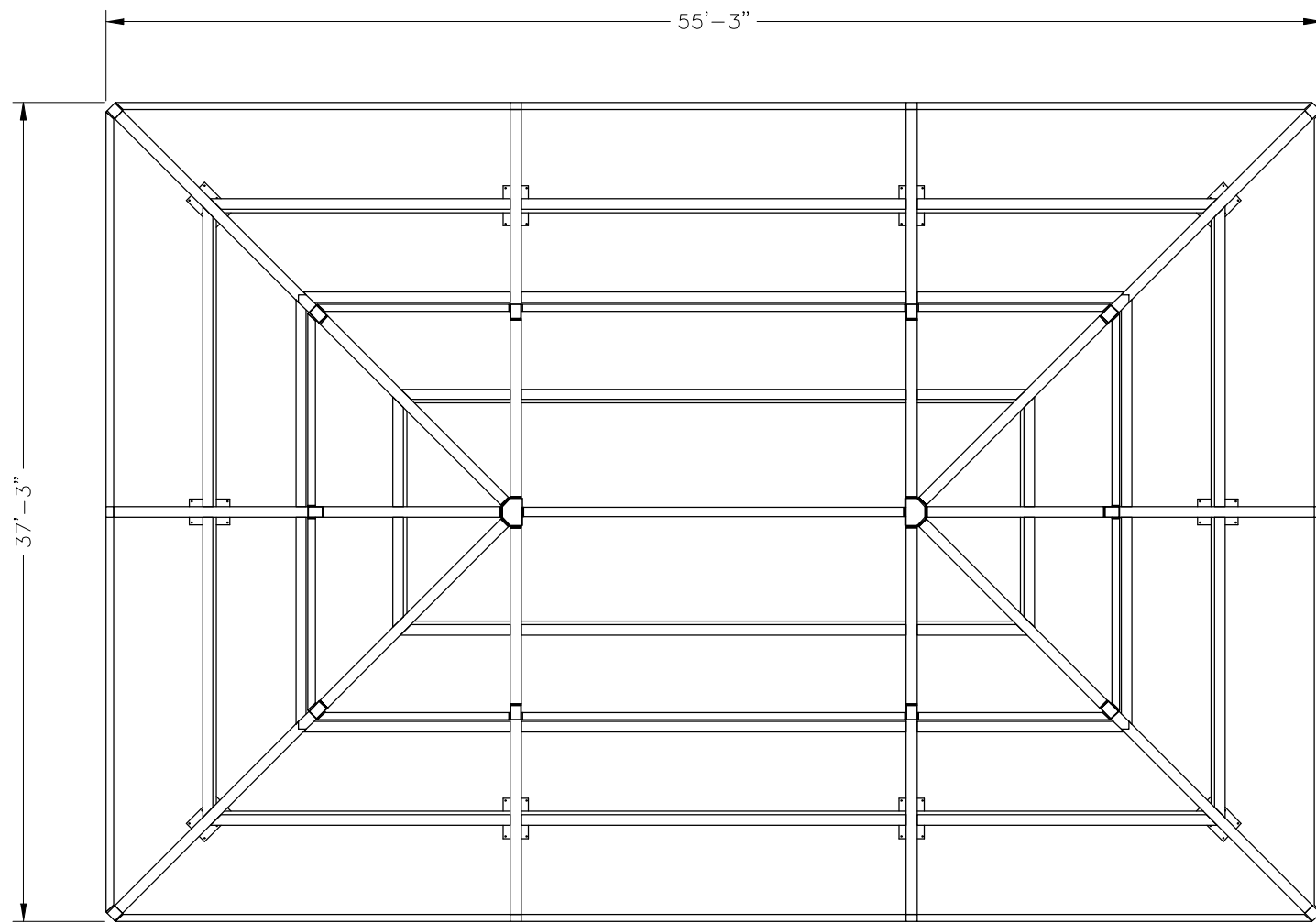
**ICON**  
Shelter Systems Inc  
DISTINCTIVE STEEL SHELTERS  
WWW.ICONSHELTERS.COM  
COPYRIGHT 2004, ICON SHELTER SYSTEMS, INC.  
1455 LINCOLN AVE.  
HOLLAND MI, 49423  
616.396.0919  
800.748.0985  
616.396.0944 FX

Anchor Bolt Layout

DRAWN BY:	EG
DATE:	9/11/2018
PRELIMINARY ID:	53387
REVISION:	A
BUILDING TYPE:	RH40X58M2C-P4
PROJECT NAME:	

SHEET  
**2.0**

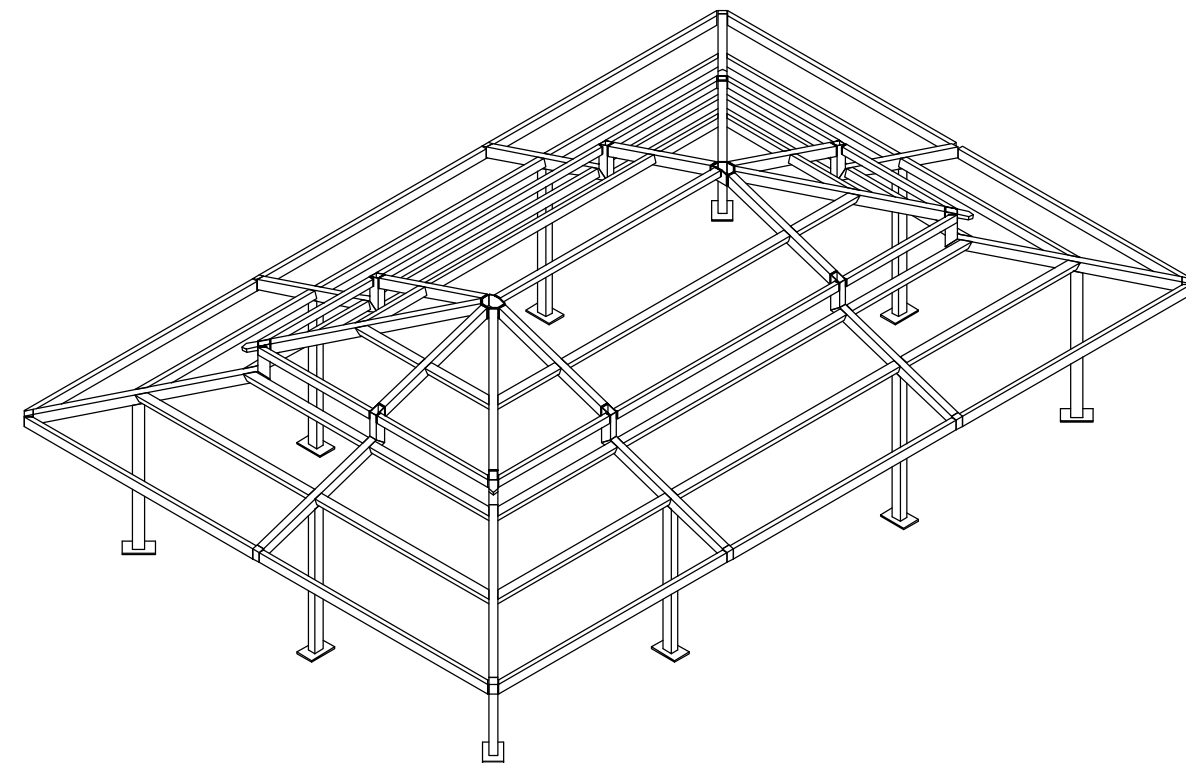
DWG:RH\40X58\M2C-P4-20-90-150\Drawings\Preliminary\RH40x58M2C-P4-20-90-150~53387.dwg



PRELIMINARY: NOT FOR CONSTRUCTION

**ICON**  
 Shelter Systems Inc  
 DISTINCTIVE STEEL SHELTERS  
 WWW.ICONSHelters.COM  
 COPYRIGHT 2004, ICON SHELTER SYSTEMS, INC.  
 1455 LINCOLN AVE.  
 HOLLAND MI, 49423  
 616.396.0919  
 800.748.0985  
 616.396.0944 FX

Frame



ALL STRUCTURAL COMPONENTS WILL BE:  
 TUBE: ASTM A500 GRADE B  
 PLATE: ASTM A36  
 BOLTS: ASTM A325  
 NUTS: ASTM A563  
 WELDING: GMAW

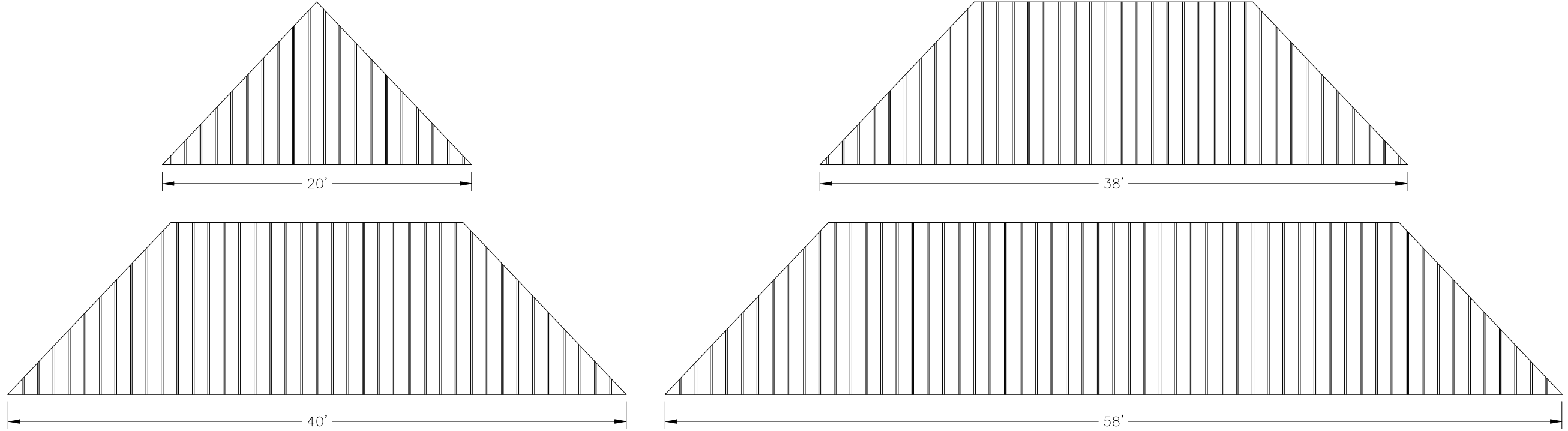
NOTE:  
 COLUMN SIZE: HSS 8x6x1/4

DRAWN BY:	EG
DATE:	9/11/2018
PRELIMINARY ID:	53387
REVISION:	A
BUILDING TYPE:	RH40X58M2C-P4
PROJECT NAME:	

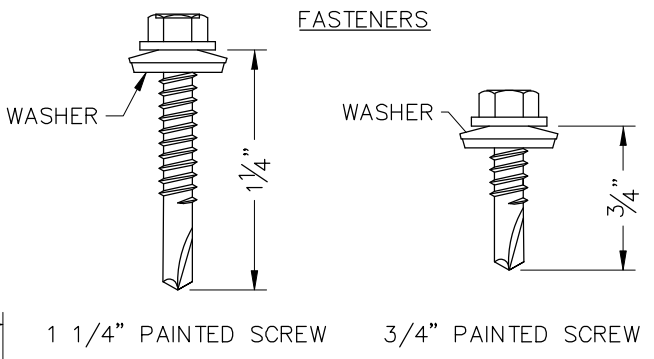
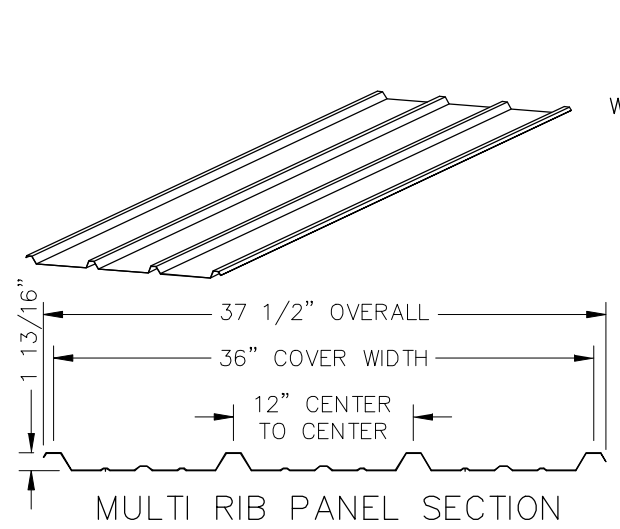
SHEET  
 3.0

DWG:RH\40X58\M2C-P4-20-90-150\Drawings\Preliminary\RH40x58M2C-P4-20-90-150~53387.dwg

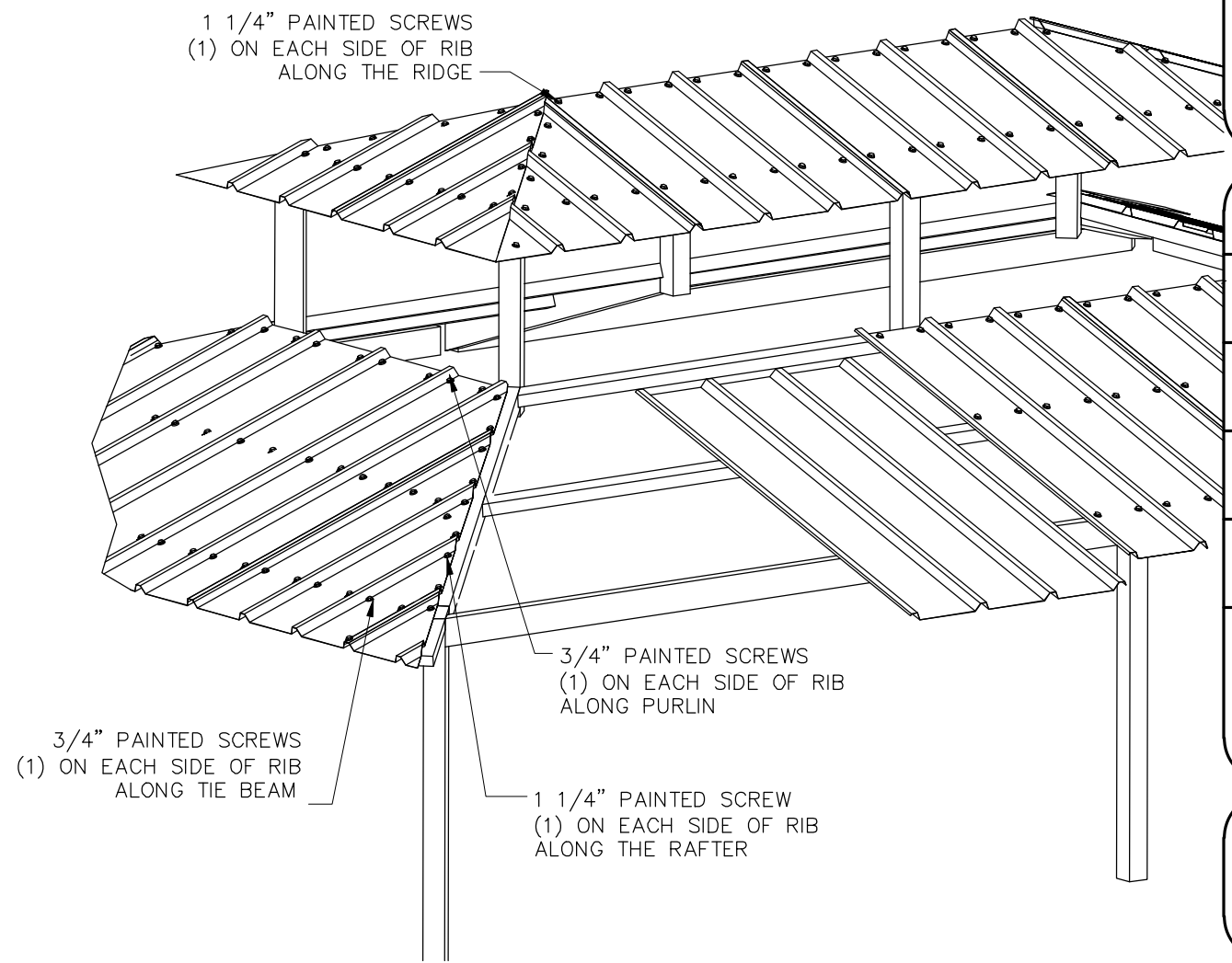
Roof Layout



PRELIMINARY: NOT FOR CONSTRUCTION



NOTE: STANDARD DETAILS SHOWN  
 ACTUAL BUILDING MAY VARY



DRAWN BY:	EG
DATE:	9/11/2018
PRELIMINARY ID:	53387
REVISION:	A
BUILDING TYPE:	RH40X58M2C-P4
PROJECT NAME:	

DWG:RH\40X58\M2C-P4-20-90-150\Drawings\Preliminary\RH40x58M2C-P4-20-90-150~53387.dwg