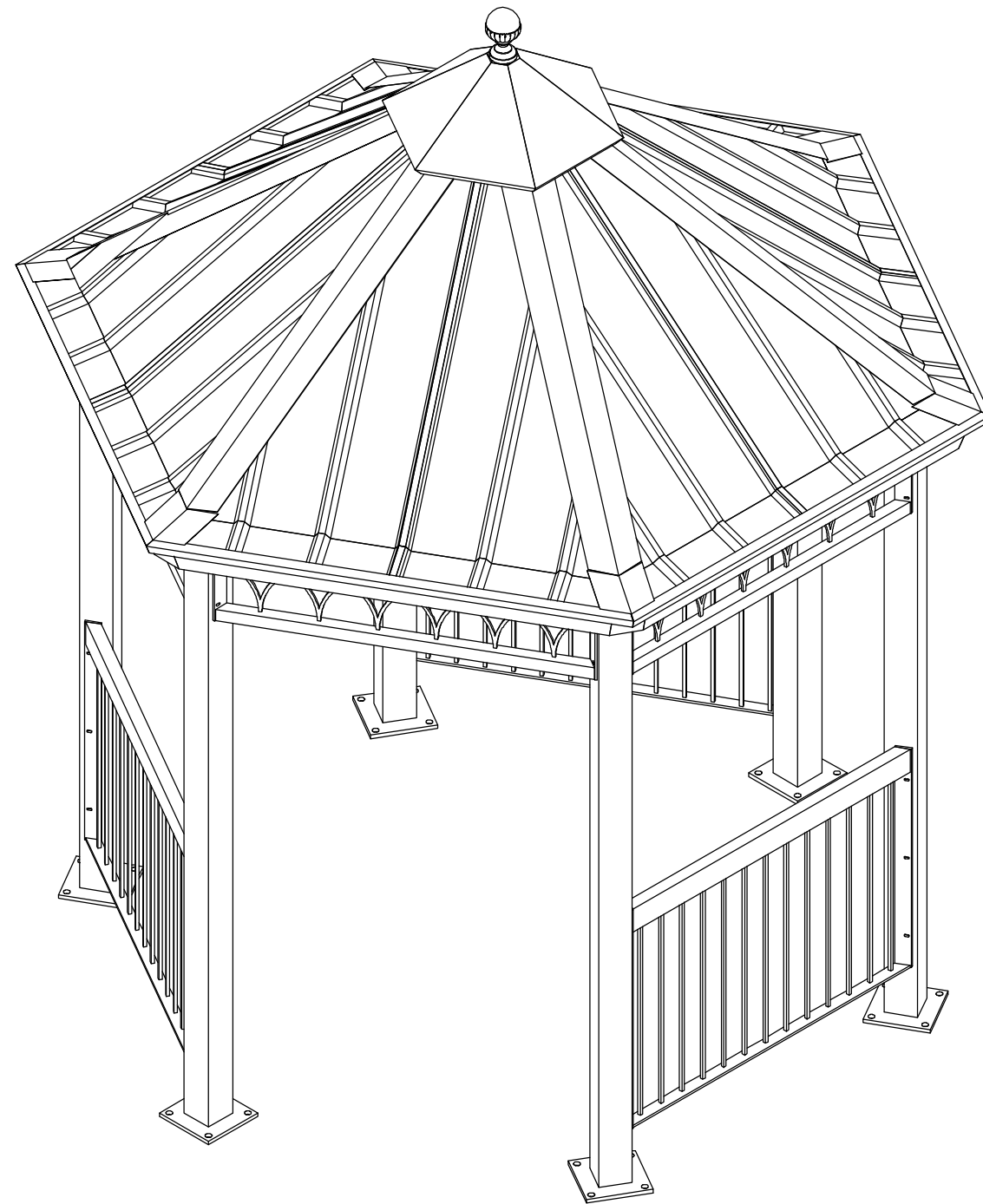


PRELIMINARY: NOT FOR CONSTRUCTION



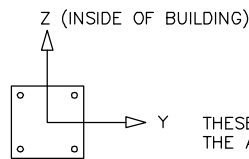
ICON
 Shelter Systems Inc
 DISTINCTIVE STEEL SHELTERS
 WWW.ICONSHelters.COM
 COPYRIGHT 2004, ICON SHELTER SYSTEMS, INC.
 7900 LOGISTICS DR.
 SUITE C.
 ZEELAND MI, 49464
 616.748.0985
 800.748.0985
 616.748.0995 FX

Elevation

DRAWN BY:	LB
DATE:	12/4/12
JOB NO.:	
STANDARD	
REVISION:	
BUILDING TYPE:	MY12M-P410
PROJECT NAME:	-70-150-150 FINIAL PEAK CAP ARCHES ORN LINEAR HANDRAIL

SHEET
 1.0

DWG: \\icon01\Company\Engineering\Standards\Shelters\MY\12\M-P10-70-150-150\Drawings\Preliminary\MY12M-P10-70-150-150~23330.DWG

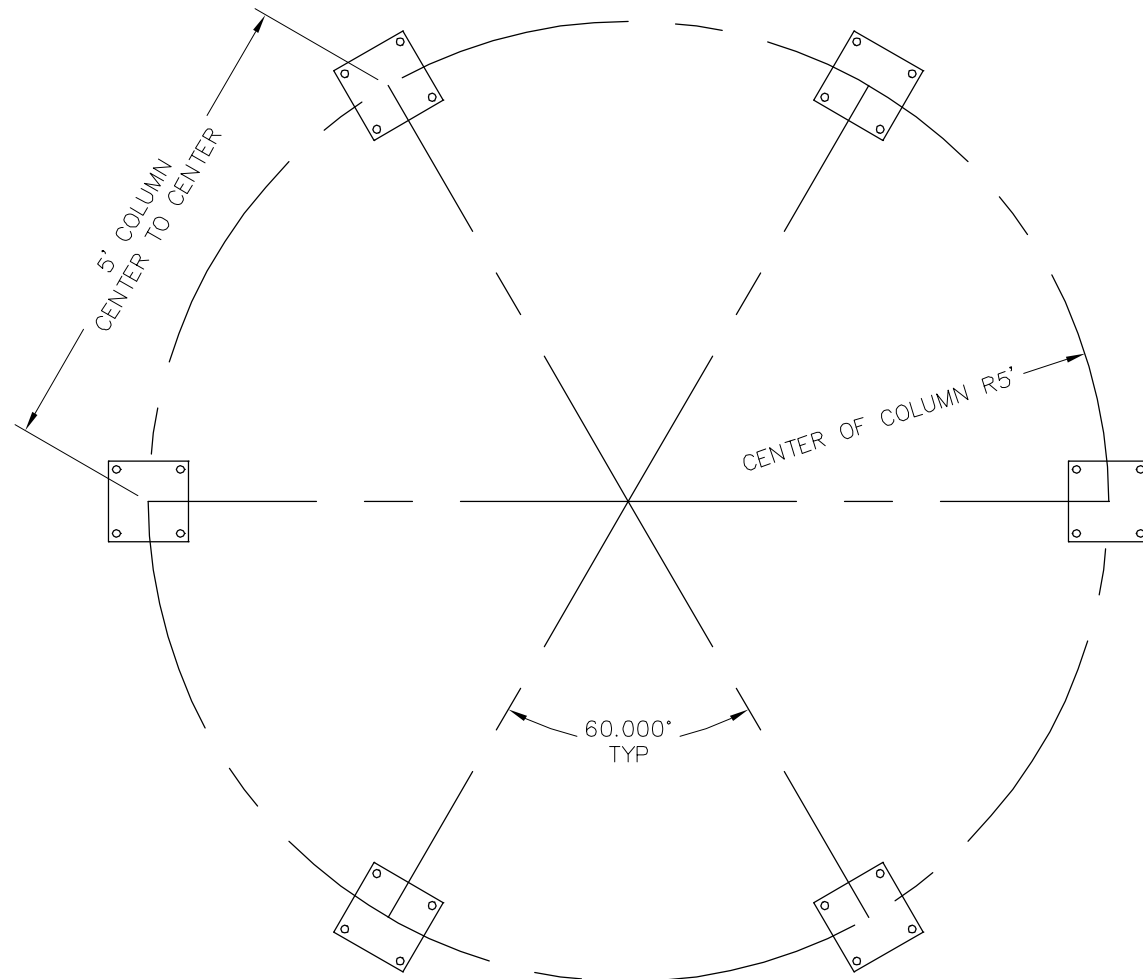


THESE FOUNDATION LOADS ARE FOR ESTIMATING PURPOSE ONLY.
THE ACTUAL LOADS WILL BE DETERMINED IN THE FINAL ENGINEERING

- NOTES:**
- TABLE SHOWS UNFACTORED SERVICE LOADS
 - A FOUNDATION DESIGN HAS NOT BEEN PERFORMED BY ICON SHELTER SYSTEMS INC.
 - A LICENSED ENGINEER FAMILIAR WITH SOIL CONDITIONS AT CONSTRUCTION SITE MUST PERFORM A FOUNDATION DESIGN.
 - THE STRUCTURE HAS BEEN ENGINEERED AS AN OPEN STRUCTURE.
 - CONSULT ICON SHELTER SYSTEMS INC. IF THE STRUCTURE IS TO BE ENCLOSED.
 - COORDINATES ARE LOCAL TO THE COLUMN

- DEFINITIONS:**
- DL = SERVICE LEVEL DEAD LOAD REACTION WITH THE GREATEST AXIAL LOAD
 - SL = SERVICE LEVEL SNOW LOAD REACTION WITH THE GREATEST AXIAL LOAD
 - W-UL = SERVICE LEVEL WIND LOAD REACTION WITH THE GREATEST UPLIFT LOAD
 - W-Y = SERVICE LEVEL WIND LOAD REACTION WITH THE GREATEST MAGNITUDE OF SHEAR IN THE LOCAL Y DIRECTION
 - W-Z = SERVICE LEVEL WIND LOAD REACTION WITH THE GREATEST SHEAR VALUE ACTING IN THE SAME DIRECTION AS THE DL SHEAR LOAD
 - E-Y = SERVICE LEVEL SEISMIC LOAD REACTION WITH THE GREATEST MAGNITUDE OF SHEAR IN THE LOCAL Y DIRECTION
 - E-Z = SERVICE LEVEL SEISMIC LOAD REACTION WITH THE GREATEST MAGNITUDE OF SHEAR IN THE LOCAL Z DIRECTION

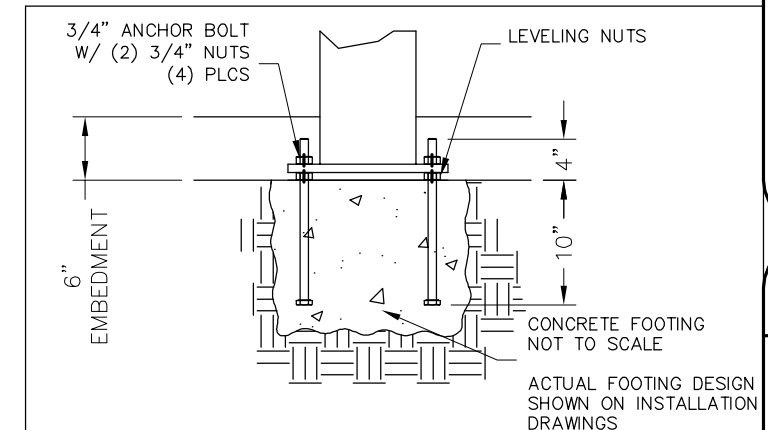
LOADS TO FOUNDATION (KIPS, IN-KIPS)	FOUNDATION LOADS				
	AXIAL (Fx)	SHEAR (Fy)	SHEAR (Fz)	MOMENT (My)	MOMENT (Mz)
DL	0.29	0.00	-0.01	0.23	0.00
SL	1.02	0.00	-0.02	0.56	0.00
W-UPLIFT	-0.54	0.17	-0.08	9.98	17.85
W-FY	-0.53	-0.22	0.01	-0.31	-23.73
W-FZ	-0.33	0.11	0.20	-20.79	11.87
E-FY	0.00	-0.41	0.00	0.00	-44.73
E-Z	-0.12	0.00	-0.42	44.84	0.00



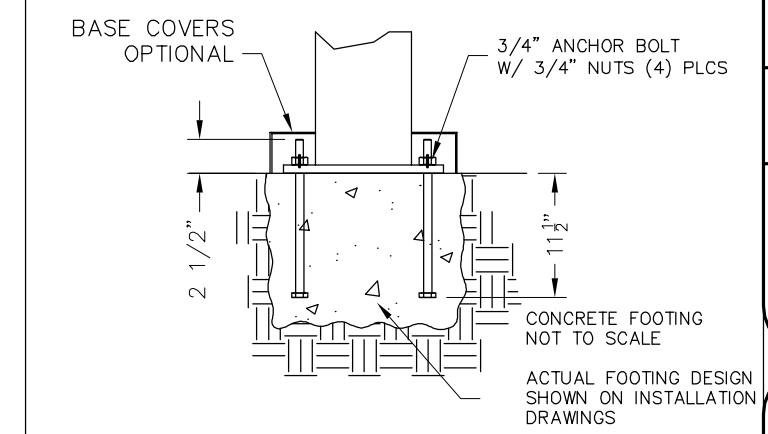
PRELIMINARY: NOT FOR CONSTRUCTION

ICON
Shelter Systems Inc
DISTINCTIVE STEEL SHELTERS
WWW.ICONSHELTERS.COM
COPYRIGHT 2004, ICON SHELTER SYSTEMS, INC.
7900 LOGISTICS DR.
SUITE C.
ZEELAND MI, 49464
616.748.0985
800.748.0985
616.748.0995 FX

Anchor Bolt Layout



PRELIMINARY DRAWINGS SHOWN AS 6" BURIED
STANDARD BASE CONNECTION
COLUMN TYPE: A (6" BURIED)



OPTIONAL BASE CONNECTION
COLUMN TYPE: B (SURFACE MOUNT W/ COVERS)

DRAWN BY:	LB
DATE:	12/4/12
JOB NO.:	STANDARD
REVISION:	
BUILDING TYPE:	MY12M-P410
PROJECT NAME:	-70-150-150 FINIAL PEAK CAP ARCHES ORN LINEAR HANDRAIL

SHEET
2.0

PRELIMINARY: NOT FOR CONSTRUCTION

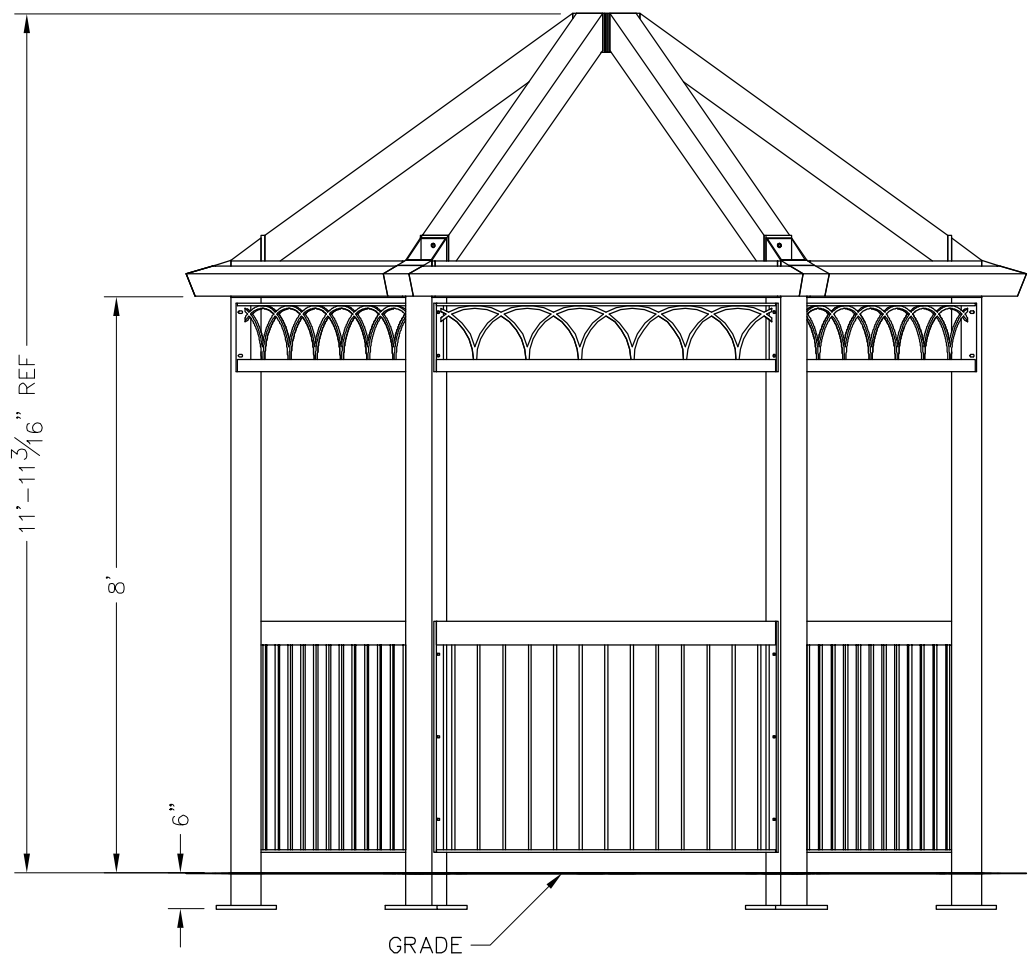
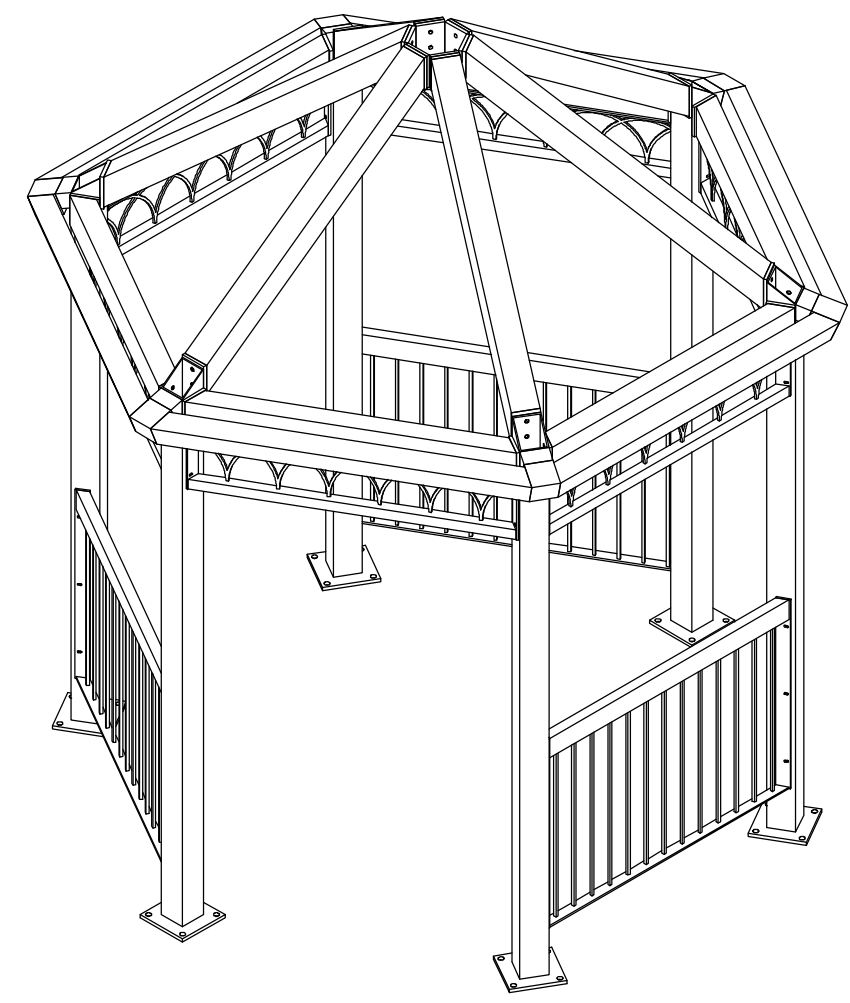
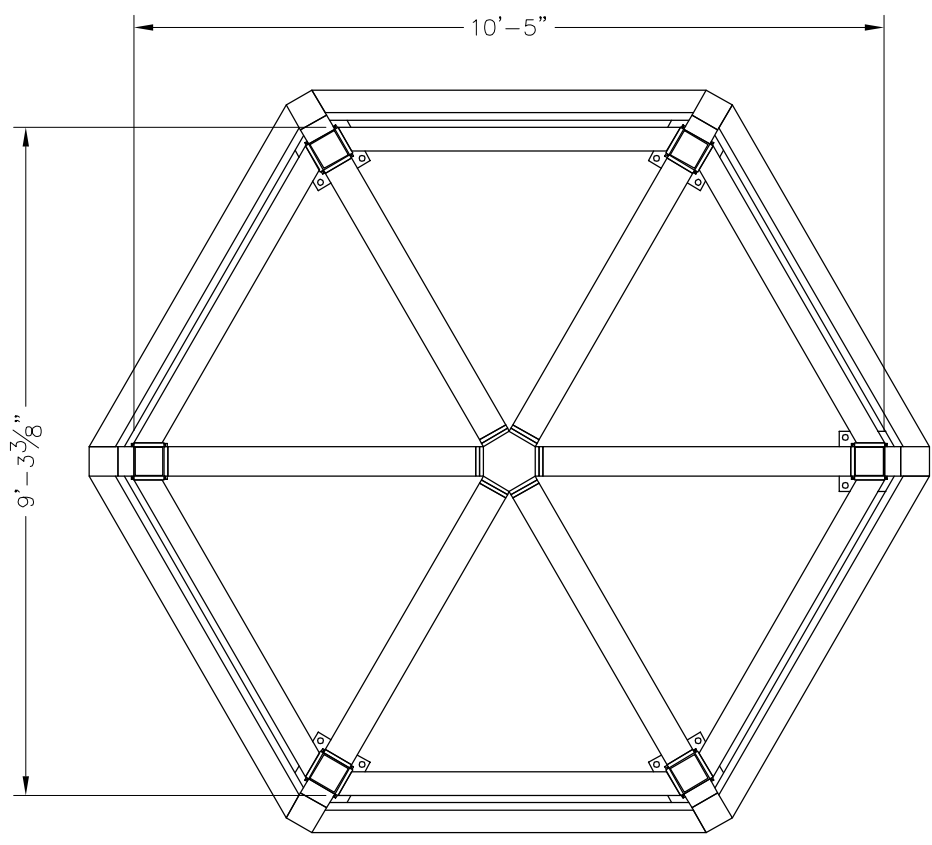
ICON
 Shelter Systems Inc
 DISTINCTIVE STEEL SHELTERS
 WWW.ICONSHelters.COM
 COPYRIGHT 2004, ICON SHELTER SYSTEMS, INC.
 7900 LOGISTICS DR.
 SUITE C.
 ZEELAND MI, 49464
 616.748.0985
 800.748.0985
 616.748.0995 FX

Frame

DRAWN BY:	LB
DATE:	12/4/12
JOB NO.:	
STANDARD	
REVISION:	
BUILDING TYPE:	MY12M-P410
PROJECT NAME:	-70-150-150 FINIAL PEAK CAP ARCHES ORN LINEAR HANDRAIL

ALL STRUCTURAL COMPONENTS WILL BE:
 TUBE: ASTM A500 GRADE B
 PLATE: ASTM A36
 BOLTS: ASTM A325
 NUTS: ASTM A563
 WELDING: GMAW

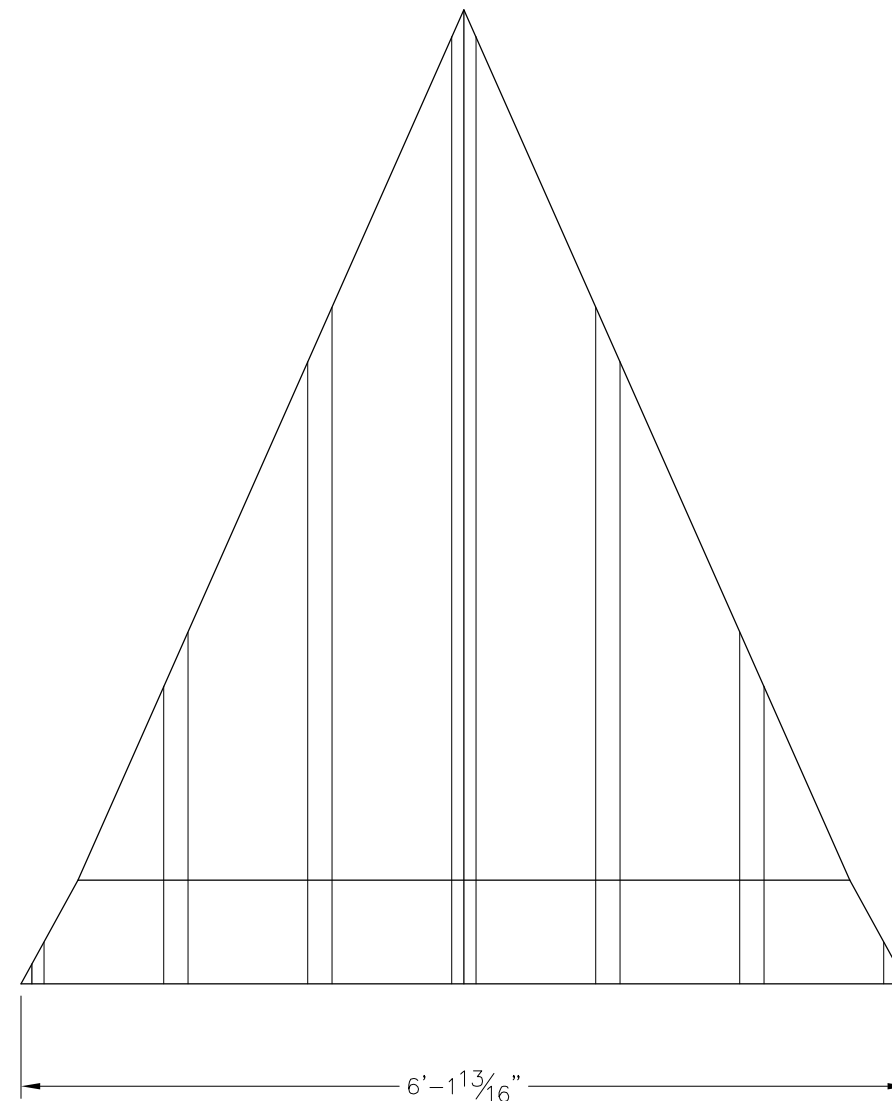
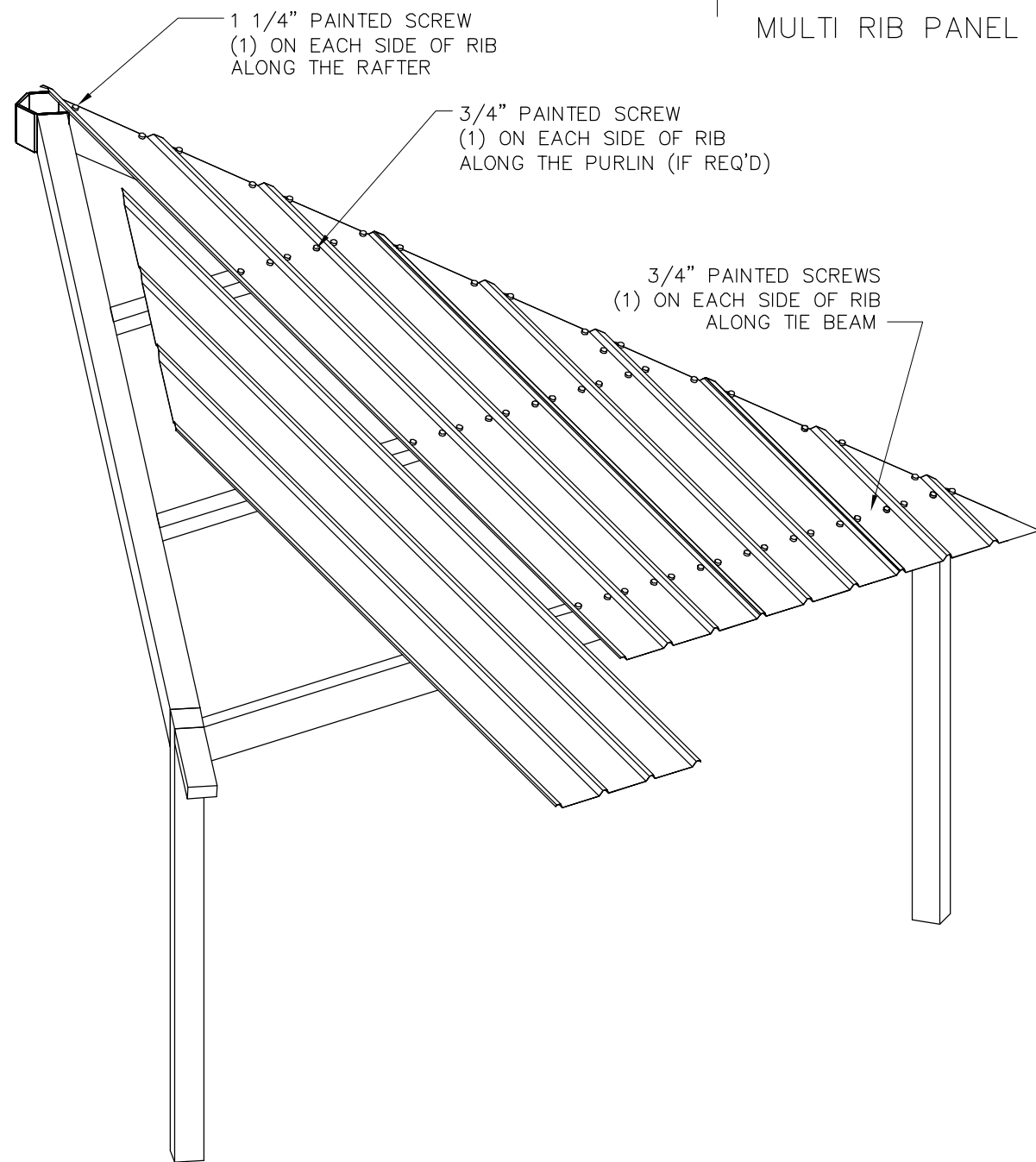
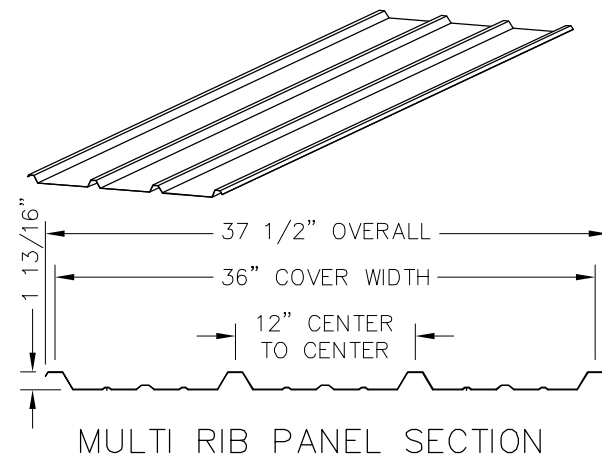
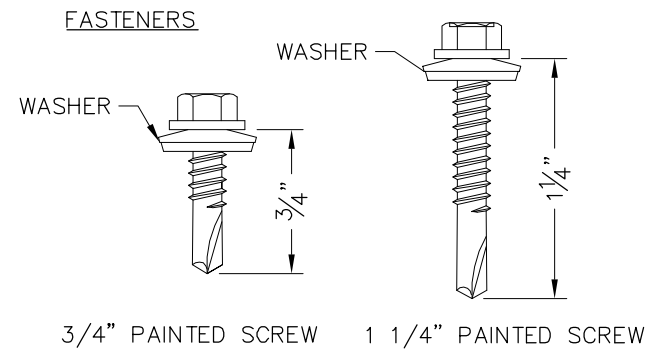
NOTE:
 COLUMN SIZE: HSS 5x5x3/16



DWG: \\Icon01\Company\Engineering\Standards\Shelters\MY\12\M-P10-70-150-150\Drawings\Preliminary\MY12M-P10-70-150-150~23330.DWG

SHEET
 3.0

PRELIMINARY: NOT FOR CONSTRUCTION



ICON
 Shelter Systems Inc
 DISTINCTIVE STEEL SHELTERS
 WWW.ICONSHelters.COM
 COPYRIGHT 2004, ICON SHELTER SYSTEMS, INC.
 7900 LOGISTICS DR. SUITE C.
 ZEELAND MI, 49464
 616.748.0985
 800.748.0985
 616.748.0995 FX

Roof Layout

DRAWN BY:	LB
DATE:	12/4/12
JOB NO.:	STANDARD
REVISION:	
BUILDING TYPE:	MY12M-P410
PROJECT NAME:	-70-150-150 FINIAL PEAK CAP ARCHES ORN LINEAR HANDRAIL

DWG: \\Icon01\Company\Engineering\Standards\Shelters\MY\12\M-P10-70-150-150\Drawings\Preliminary\MY12M-P10-70-150-150~23330.DWG