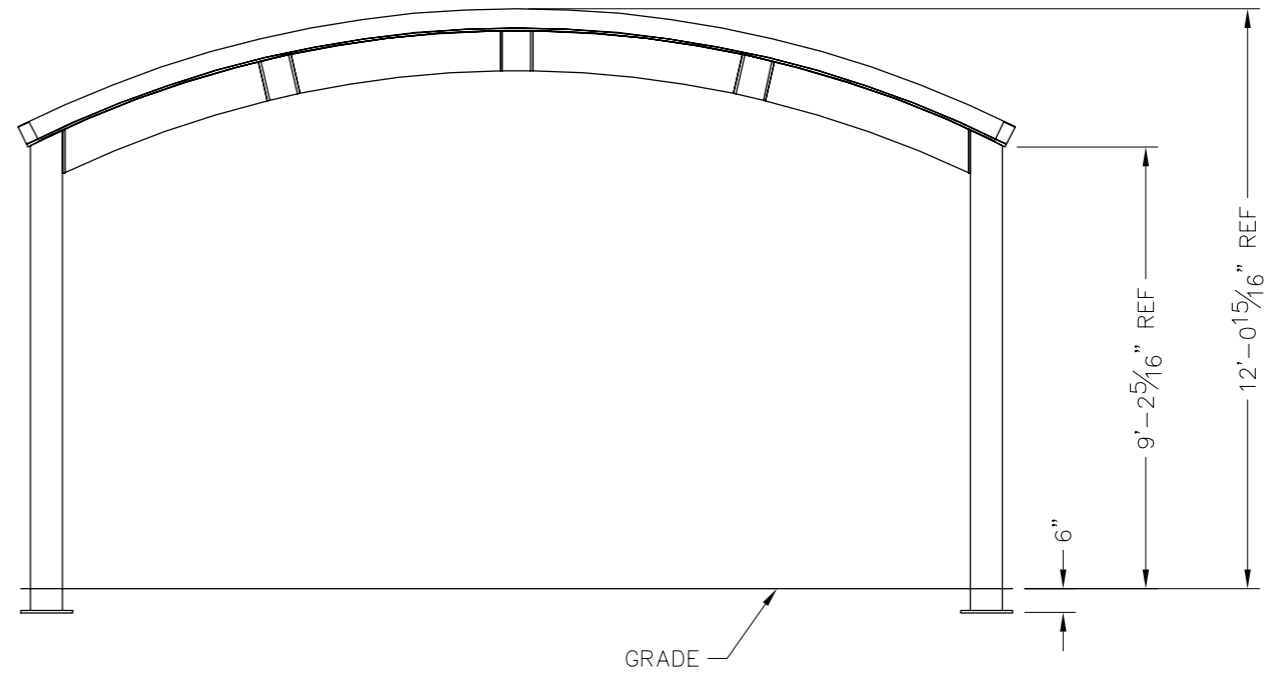


PRELIMINARY: NOT FOR
CONSTRUCTION

ICON
Shelter Systems Inc
DISTINCTIVE STEEL SHELTERS
WWW.ICONSHELTERS.COM
COPYRIGHT 2004, ICON SHELTER
SYSTEMS, INC.
1455 LINCOLN AVE.
HOLLAND MI, 49423
616.396.0919
800.748.0985
616.396.0944 FX

Elevation



DRAWN BY:

LB

DATE:

1/23/14

JOB NO.:

STANDARD

REVISION:

BUILDING TYPE:

LV20x20QU-P5

PROJECT NAME:

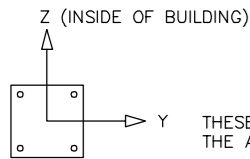
-25-90-30
LIVE ROOF

SHEET

1.0

Engineering\AcadStandard\Blocks\Title\CONPRETB
GF-73-01-42

DWG: \\Icon01\Company\Engineering\Standards\Shelters\LV20x20\QU-P5-25-90-30\Drawings\Preliminary\LV200QU-P5-25-90-30~26864.DWG



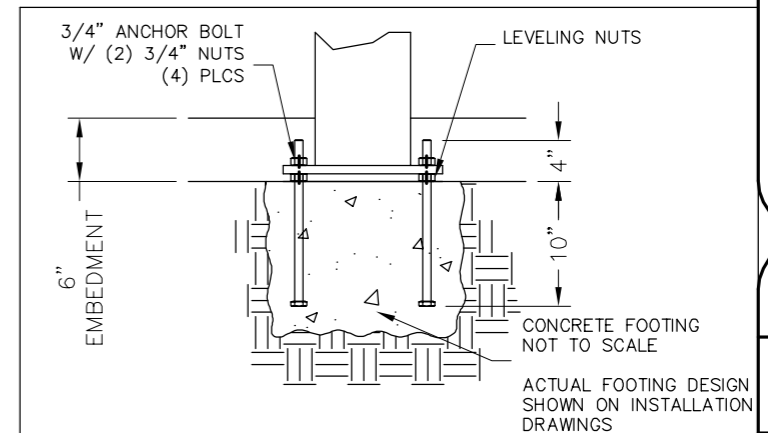
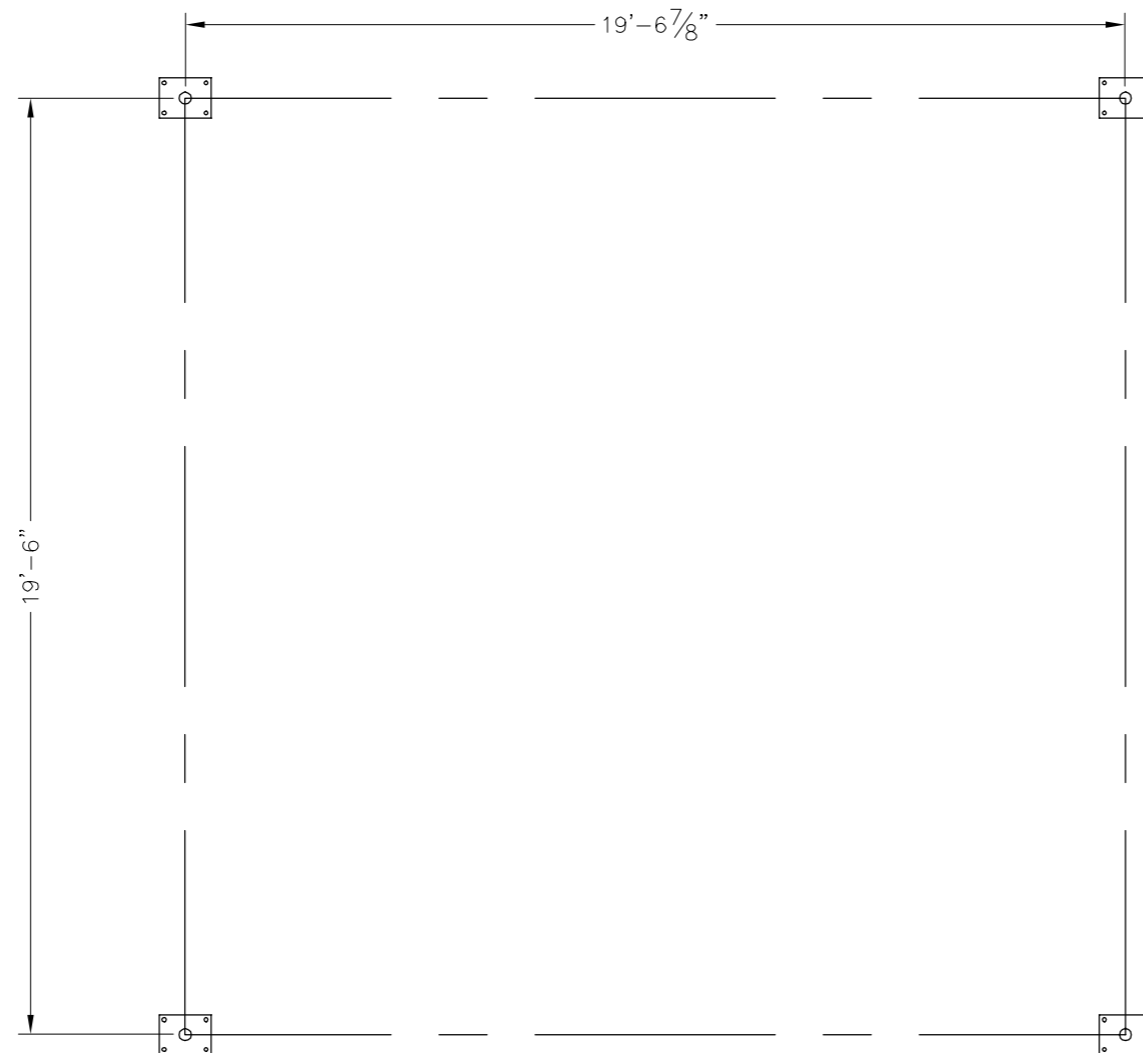
THESE FOUNDATION LOADS ARE FOR ESTIMATING PURPOSE ONLY.
THE ACTUAL LOADS WILL BE DETERMINED IN THE FINAL ENGINEERING

| LOADS TO FOUNDATION (KIPS, IN-KIPS) | FOUNDATION LOADS | | | | |
|--|------------------|------------|------------|-------------|-------------|
| | AXIAL (Fx) | SHEAR (Fy) | SHEAR (Fz) | MOMENT (My) | MOMENT (Mz) |
| DL | 3.83 | -0.80 | 1.56 | -70.14 | -28.67 |
| SL | 2.27 | -0.51 | 0.97 | -43.26 | -18.48 |
| W-UPLIFT | -1.73 | -0.71 | -0.58 | 29.40 | -35.60 |
| W-FY | 1.73 | -0.71 | 0.58 | -29.40 | -35.60 |
| W-FZ | -1.73 | -0.71 | -0.58 | 29.40 | -35.60 |
| E-FY | 0.14 | -0.35 | 0.04 | -1.79 | -26.57 |
| E-Z | -0.14 | 0.01 | -0.35 | 25.94 | 0.38 |

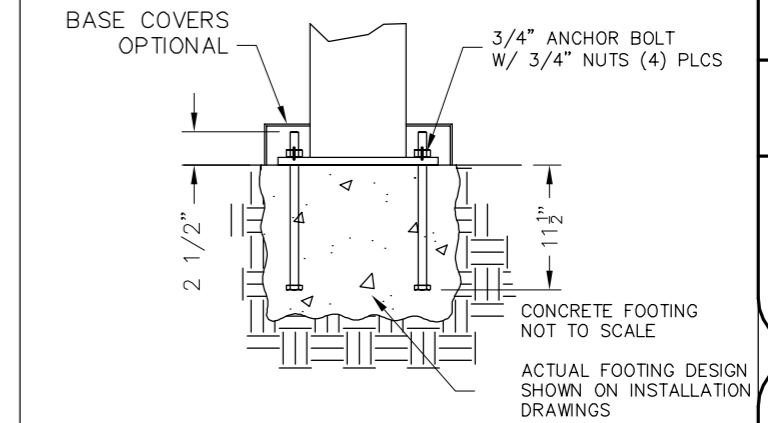
- NOTES:
- TABLE SHOWS UNFACTORED SERVICE LOADS
 - A FOUNDATION DESIGN HAS NOT BEEN PERFORMED BY ICON SHELTER SYSTEMS INC.
 - A LICENSED ENGINEER FAMILIAR WITH SOIL CONDITIONS AT CONSTRUCTION SITE MUST PERFORM A FOUNDATION DESIGN.
 - THE STRUCTURE HAS BEEN ENGINEERED AS AN OPEN STRUCTURE.
 - CONSULT ICON SHELTER SYSTEMS INC. IF THE STRUCTURE IS TO BE ENCLOSED.
 - COORDINATES ARE LOCAL TO THE COLUMN

DEFINITIONS:

DL = SERVICE LEVEL DEAD LOAD REACTION WITH THE GREATEST AXIAL LOAD
 SL = SERVICE LEVEL SNOW LOAD REACTION WITH THE GREATEST AXIAL LOAD
 W-UL = SERVICE LEVEL WIND LOAD REACTION WITH THE GREATEST UPLIFT LOAD
 W-Y = SERVICE LEVEL WIND LOAD REACTION WITH THE GREATEST MAGNITUDE OF SHEAR IN THE LOCAL Y DIRECTION
 W-Z = SERVICE LEVEL WIND LOAD REACTION WITH THE GREATEST SHEAR VALUE ACTING IN THE SAME DIRECTION AS THE DL SHEAR LOAD
 E-Y = SERVICE LEVEL SEISMIC LOAD REACTION WITH THE GREATEST MAGNITUDE OF SHEAR IN THE LOCAL Y DIRECTION
 E-Z = SERVICE LEVEL SEISMIC LOAD REACTION WITH THE GREATEST MAGNITUDE OF SHEAR IN THE LOCAL Z DIRECTION



PRELIMINARY DRAWINGS SHOWN AS 6" BURIED
 STANDARD BASE CONNECTION
 COLUMN TYPE: A (6" BURIED)



OPTIONAL BASE CONNECTION
 COLUMN TYPE: B (SURFACE MOUNT W/ COVERS)

PRELIMINARY: NOT FOR CONSTRUCTION

ICON
 Shelter Systems Inc
 DISTINCTIVE STEEL SHELTERS
 WWW.ICONSHELTERS.COM
 COPYRIGHT 2004, ICON SHELTER SYSTEMS, INC.
 1455 LINCOLN AVE.
 HOLLAND MI, 49423
 616.396.0919
 800.748.0985
 616.396.0944 FX

Anchor Bolt Layout

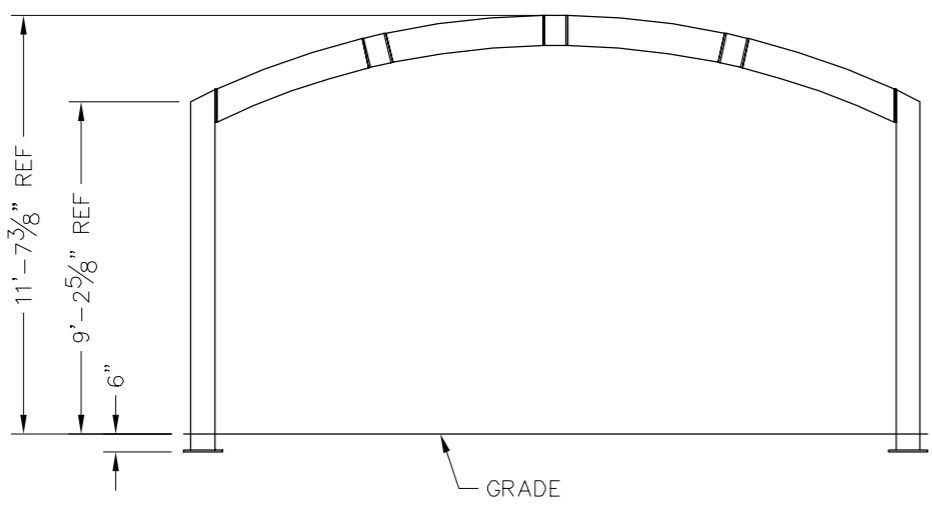
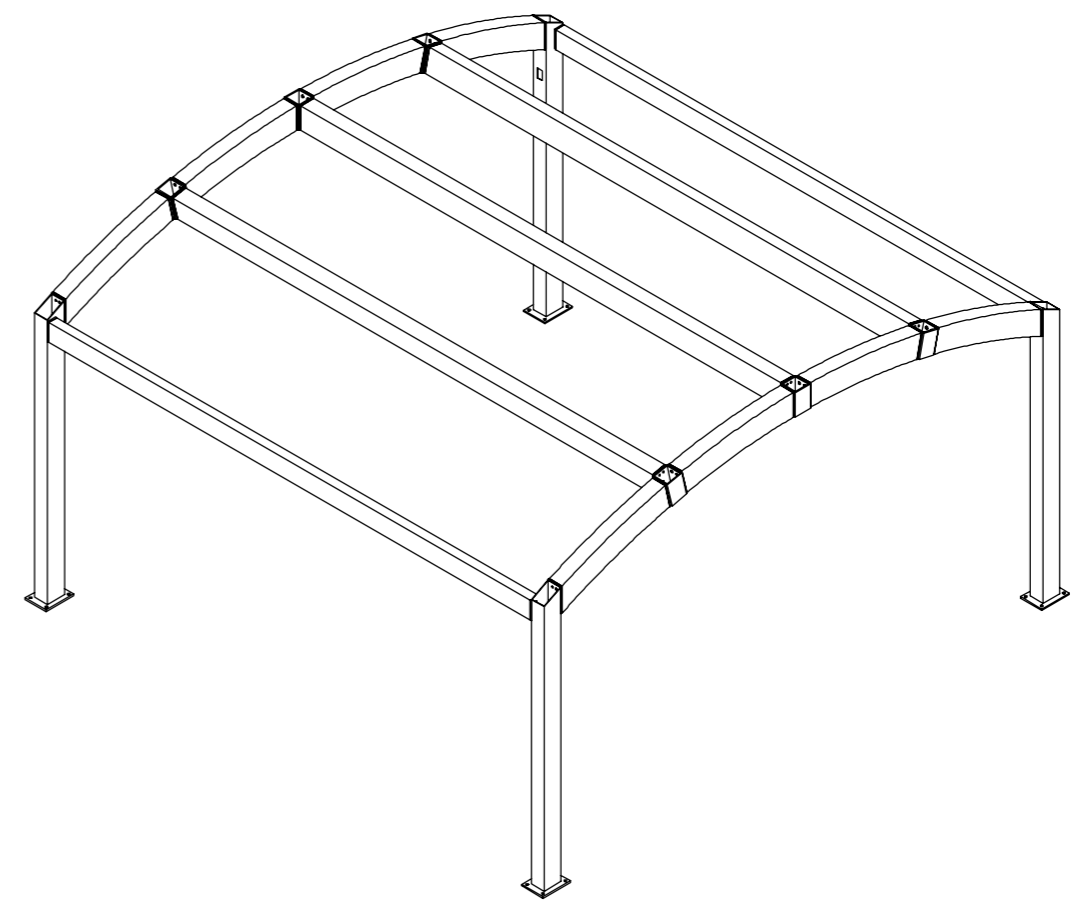
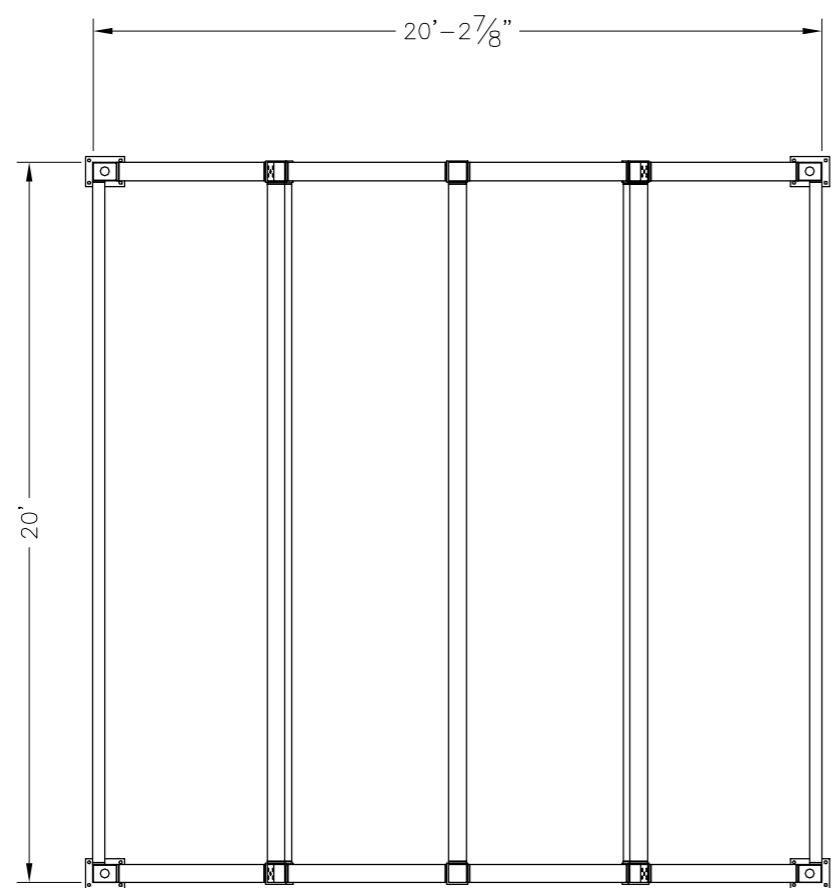
| | |
|----------------|------------------------|
| DRAWN BY: | LB |
| DATE: | 1/23/14 |
| JOB NO.: | STANDARD |
| REVISION: | |
| BUILDING TYPE: | LV20x20QU-P5 |
| PROJECT NAME: | -25-90-30 LIVE ROOF |

SHEET
 2.0

DWG: \\Icon01\Company\Engineering\Standards\Shelters\LV20x20\QU-P5-25-90-30\Drawings\Preliminary\LV20QU-P5-25-90-30~26864.DWG

PRELIMINARY: NOT FOR CONSTRUCTION

ICON
 Shelter Systems Inc
 DISTINCTIVE STEEL SHELTERS
 WWW.ICONSHELTERS.COM
 COPYRIGHT 2004, ICON SHELTER SYSTEMS, INC.
 1455 LINCOLN AVE.
 HOLLAND MI, 49423
 616.396.0919
 800.748.0985
 616.396.0944 FX



Frame

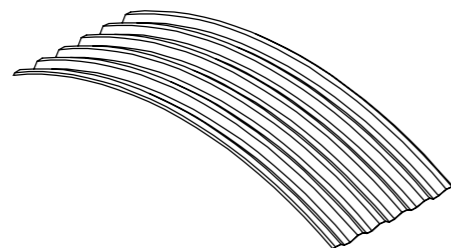
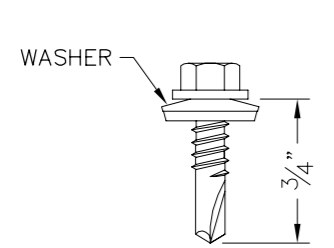
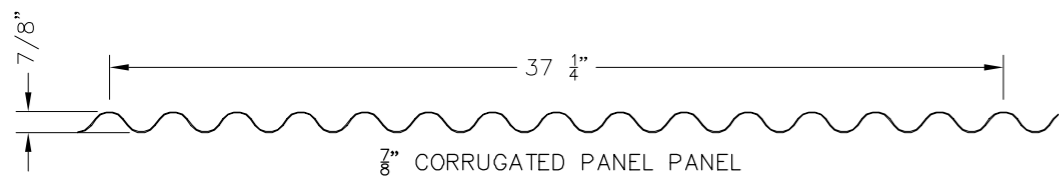
| | |
|----------------|------------------------|
| DRAWN BY: | LB |
| DATE: | 1/23/14 |
| JOB NO.: | |
| STANDARD | |
| REVISION: | |
| BUILDING TYPE: | LV20x20QU-P5 |
| PROJECT NAME: | -25-90-30 LIVE ROOF |

ALL STRUCTURAL COMPONENTS WILL BE:
 TUBE: ASTM A500 GRADE B
 PLATE: ASTM A36
 BOLTS: ASTM A325
 NUTS: ASTM A563
 WELDING: GMAW

NOTE:
 COLUMN SIZE: HSS 6x6x3/16

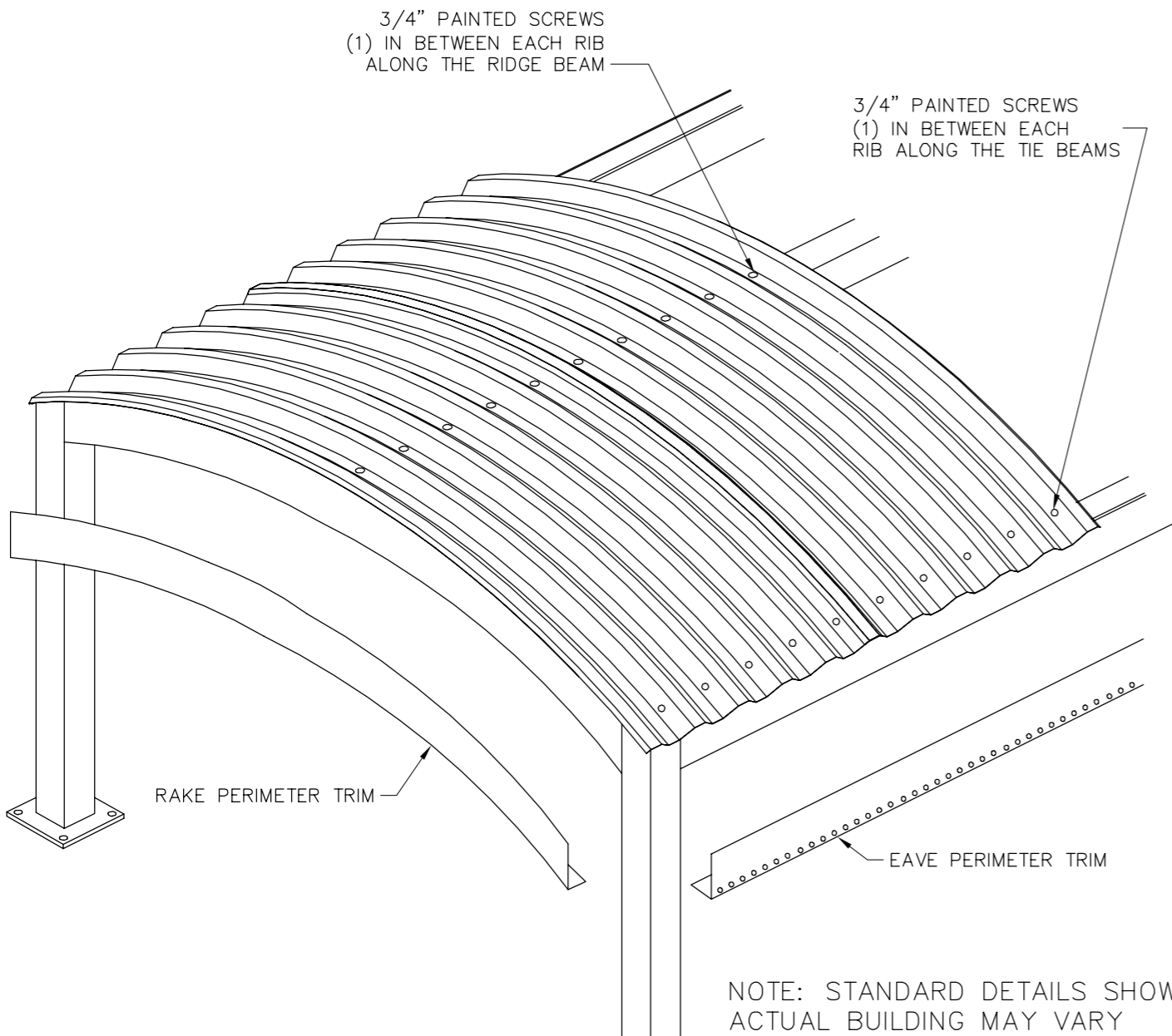
SHEET
 3.0

DWG: \\Icon01\Company\Engineering\Standards\Shelters\LV20x20\QU-P5-25-90-30\Drawings\Preliminary\LV20QU-P5-25-90-30~26864.DWG

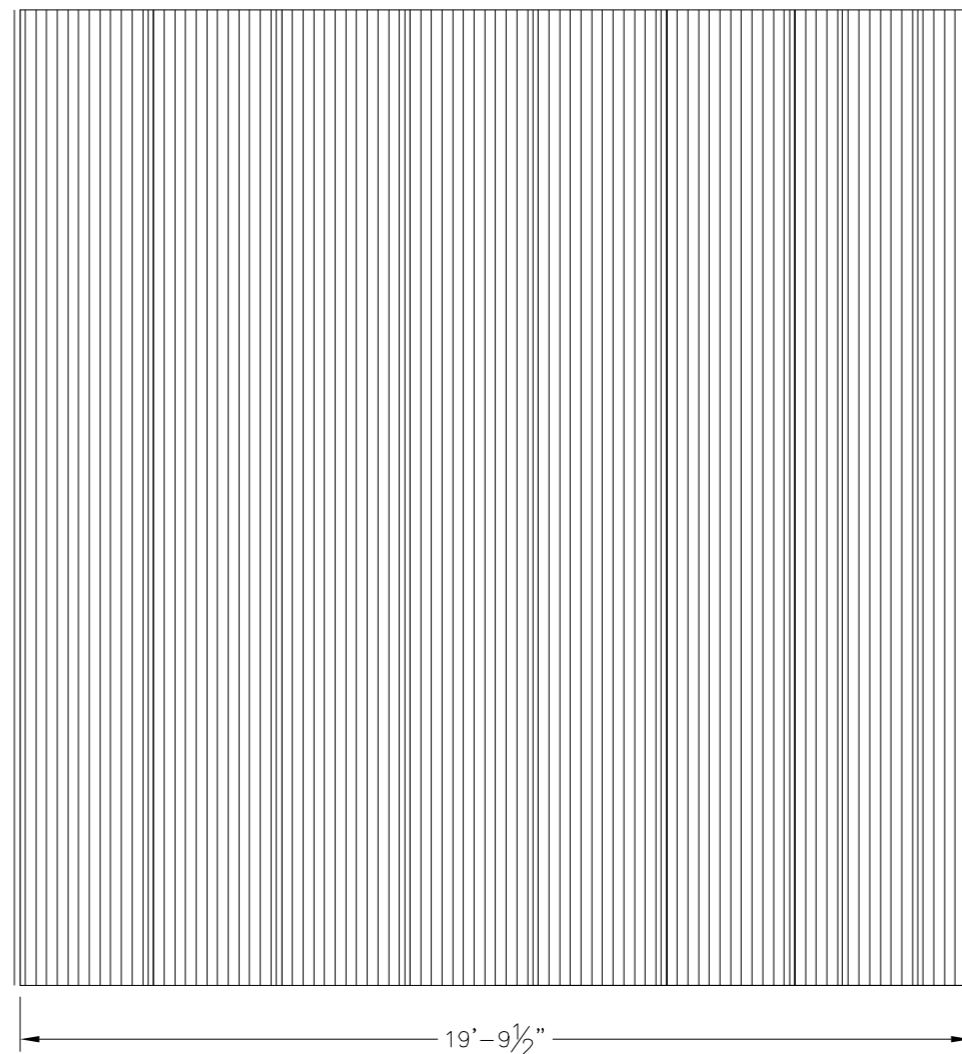


3/4" PAINTED SCREWS
(1) IN BETWEEN EACH RIB
ALONG THE RIDGE BEAM

3/4" PAINTED SCREWS
(1) IN BETWEEN EACH
RIB ALONG THE TIE BEAMS



NOTE: STANDARD DETAILS SHOWN
ACTUAL BUILDING MAY VARY



PRELIMINARY: NOT FOR
CONSTRUCTION

ICON
Shelter Systems Inc
DISTINCTIVE STEEL SHELTERS
WWW.ICONSHELTERS.COM
COPYRIGHT 2004, ICON SHELTER
SYSTEMS, INC.

1455 LINCOLN AVE.
HOLLAND MI, 49423

616.396.0919
800.748.0985
616.396.0944 FX

Roof Layout

DRAWN BY:

LB

DATE:

1/23/14

JOB NO.:

STANDARD

REVISION:

BUILDING TYPE:

LV20x20QU-P5

PROJECT NAME:

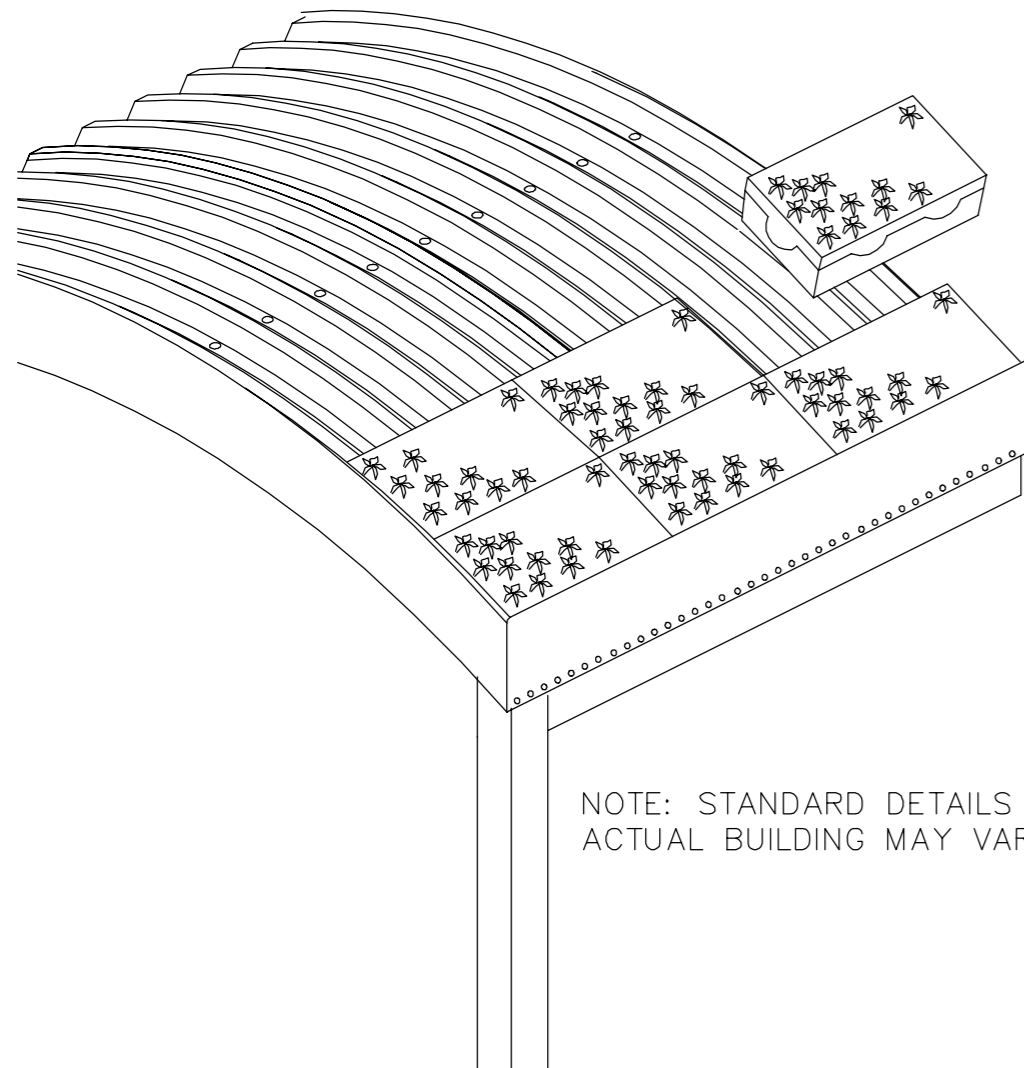
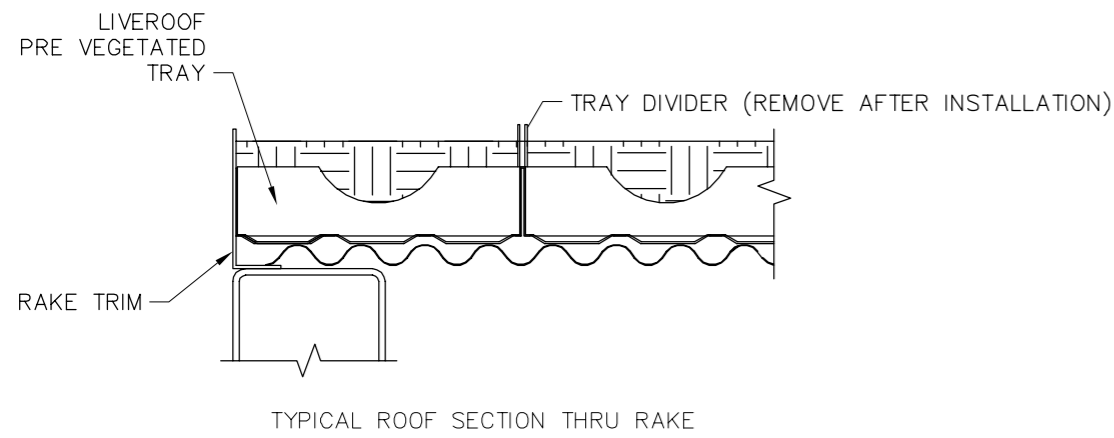
-25-90-30
LIVE ROOF

SHEET

4.0

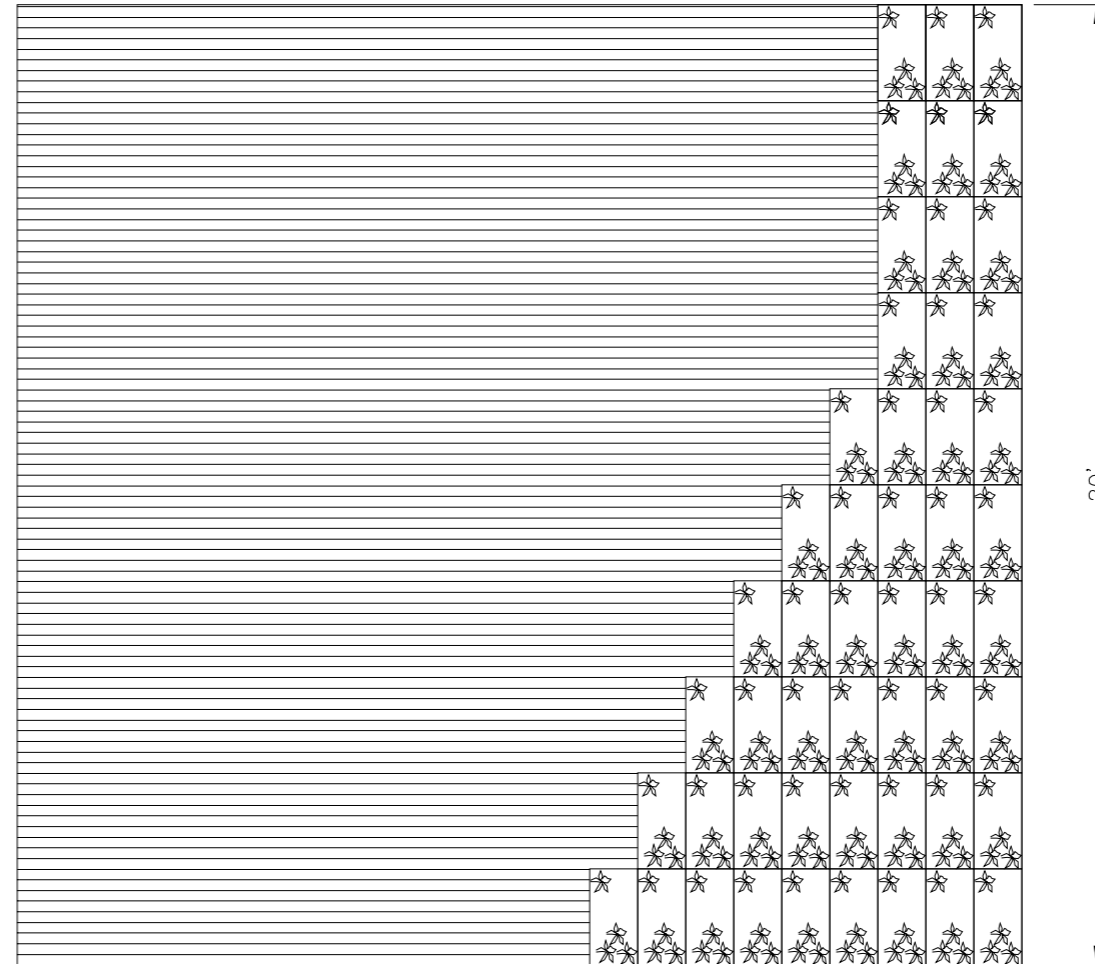
Engineering\AcadStandard\Blocks\Title\CONPRETB
02-73-01-42

DWG: \\Icon01\Company\Engineering\Standards\Shelters\LV20x20\QU-P5-25-90-30\Drawings\Preliminary\LV200U-P5-25-90-30~26864.DWG



NOTE: STANDARD DETAILS SHOWN
ACTUAL BUILDING MAY VARY

PRELIMINARY: NOT FOR
CONSTRUCTION



ICON
Shelter Systems Inc
DISTINCTIVE STEEL SHELTERS
WWW.ICONSHelters.COM
COPYRIGHT 2004, ICON SHELTER SYSTEMS, INC.
1455 LINCOLN AVE.
HOLLAND MI, 49423
616.396.0919
800.748.0985
616.396.0944 FX

Roof Layout

DRAWN BY:
LB
DATE:
1/23/14
JOB NO.:
STANDARD
REVISION:

BUILDING TYPE:
LV20x20QU-P5
PROJECT NAME:
-25-90-30
LIVE ROOF

SHEET
4.1

LIVEROOF ROOF SYSTEM MUST BE INSTALLED PER LIVE INSTALLATION DETAILS BY A CERTIFIED LIVEROOF CONTACTOR

DELIVERY OF LIVEROOF WILL BE SEPARATE FROM THE DELIVERY OF THE STRUCTURAL FROM AND SUB ROOF.

FOR CARE OF LIVEROOF ROOF SYSTEM SEE MAINTENANCE PROTOCOL

VISIT LIVEROOF.COM FOR MORE INFORMATION PRE VEGETATED ROOF SYSTEMS



LIVEROOF, LLC
SPRINGLAKE, MI 49456
(800) 875-1392
FAX (616) 842-3273
WWW.LIVEROOF.COM
WWW.LIVEROOF.NET