

PRELIMINARY: NOT FOR  
CONSTRUCTION

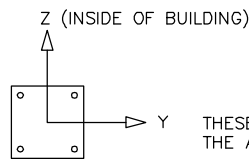
**ICON**  
Shelter Systems Inc  
DISTINCTIVE STEEL SHELTERS  
WWW.ICONSHELTERS.COM  
COPYRIGHT 2004, ICON SHELTER  
SYSTEMS, INC.  
1455 LINCOLN AVE.  
HOLLAND MI, 49423  
616.396.0919  
800.748.0985  
616.396.0944 FX

Elevation

DRAWN BY:	LB
DATE:	10/11/13
JOB NO.:	
STANDARD	
REVISION:	
BUILDING TYPE:	IN24TA-P10
PROJECT NAME:	-20-90-30 CUSTOM CUPOLA GABLE END ORN FINIAL SPIRES

SHEET  
1.0

DWG: \\icon01\Company\Engineering\Standards\Shelters\IN24x24\TA-P10-20-90-30\Drawings\Preliminary\IN24TA-P10-20-90-30~26010.DWG



THESE FOUNDATION LOADS ARE FOR ESTIMATING PURPOSE ONLY.  
THE ACTUAL LOADS WILL BE DETERMINED IN THE FINAL ENGINEERING

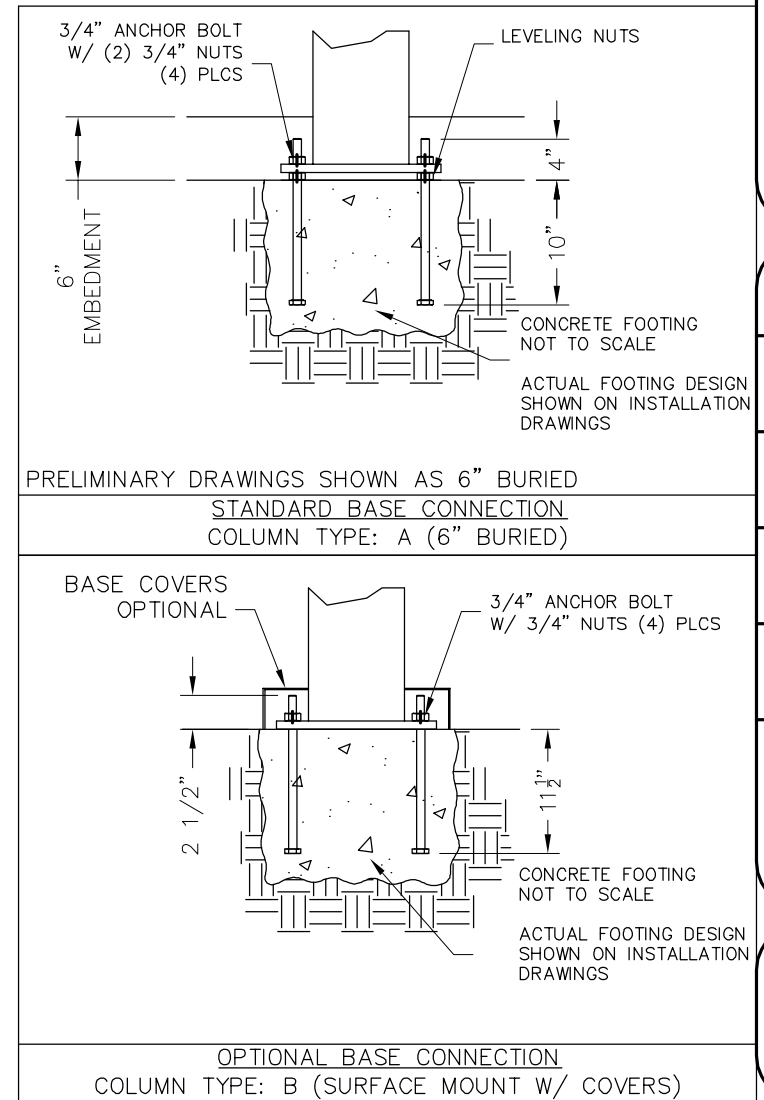
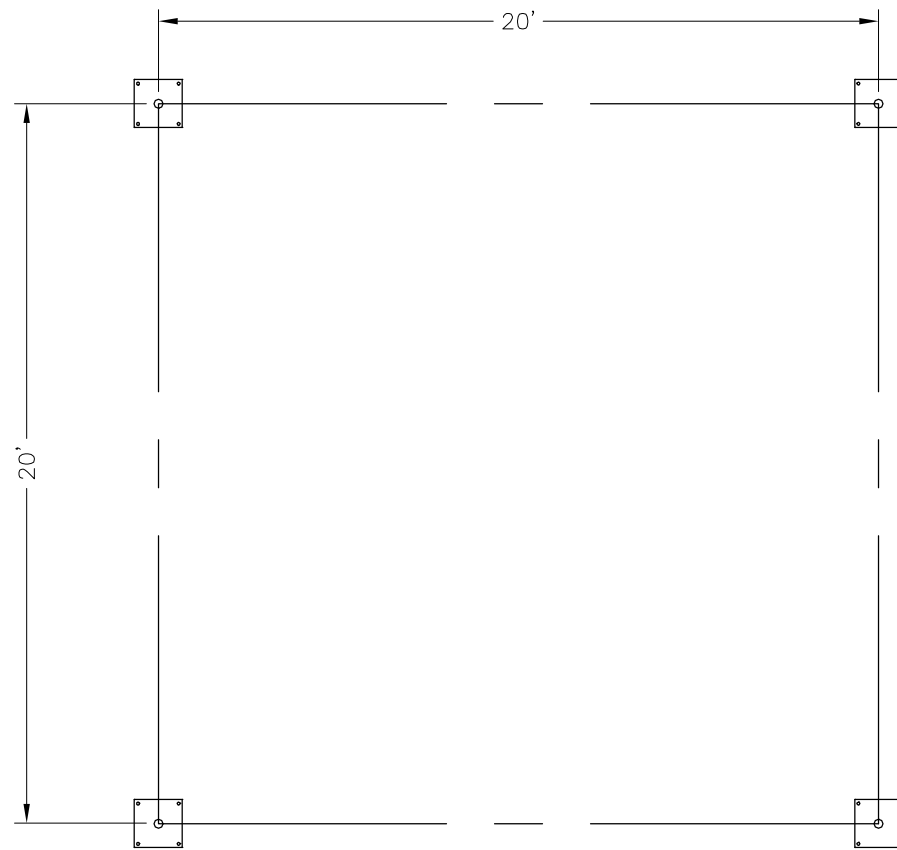
LOADS TO FOUNDATION (KIPS, IN-KIPS)	FOUNDATION LOADS				
	AXIAL (Fx)	SHEAR (Fy)	SHEAR (Fz)	MOMENT (My)	MOMENT (Mz)
DL	1.92	-0.04	0.04	-1.58	-1.61
SL	2.74	-0.06	0.06	-2.61	-2.67
W-UPLIFT	-1.52	0.32	-0.25	14.28	18.38
W-FY	1.47	-0.32	0.20	-11.24	-18.38
W-FZ	-0.86	0.30	-0.29	17.33	17.85
E-FY	0.00	-0.01	0.00	-0.02	-0.39
E-Z	0.00	0.00	-0.01	0.39	-0.02

**NOTES:**

- TABLE SHOWS UNFACTORED SERVICE LOADS
- A FOUNDATION DESIGN HAS NOT BEEN PERFORMED BY ICON SHELTER SYSTEMS INC.
- A LICENSED ENGINEER FAMILIAR WITH SOIL CONDITIONS AT CONSTRUCTION SITE MUST PERFORM A FOUNDATION DESIGN.
- THE STRUCTURE HAS BEEN ENGINEERED AS AN OPEN STRUCTURE.
- CONSULT ICON SHELTER SYSTEMS INC. IF THE STRUCTURE IS TO BE ENCLOSED.
- COORDINATES ARE LOCAL TO THE COLUMN

**DEFINITIONS:**

- DL = SERVICE LEVEL DEAD LOAD REACTION WITH THE GREATEST AXIAL LOAD
- SL = SERVICE LEVEL SNOW LOAD REACTION WITH THE GREATEST AXIAL LOAD
- W-UL = SERVICE LEVEL WIND LOAD REACTION WITH THE GREATEST UPLIFT LOAD
- W-Y = SERVICE LEVEL WIND LOAD REACTION WITH THE GREATEST MAGNITUDE OF SHEAR IN THE LOCAL Y DIRECTION
- W-Z = SERVICE LEVEL WIND LOAD REACTION WITH THE GREATEST SHEAR VALUE ACTING IN THE SAME DIRECTION AS THE DL SHEAR LOAD
- E-Y = SERVICE LEVEL SEISMIC LOAD REACTION WITH THE GREATEST MAGNITUDE OF SHEAR IN THE LOCAL Y DIRECTION
- E-Z = SERVICE LEVEL SEISMIC LOAD REACTION WITH THE GREATEST MAGNITUDE OF SHEAR IN THE LOCAL Z DIRECTION



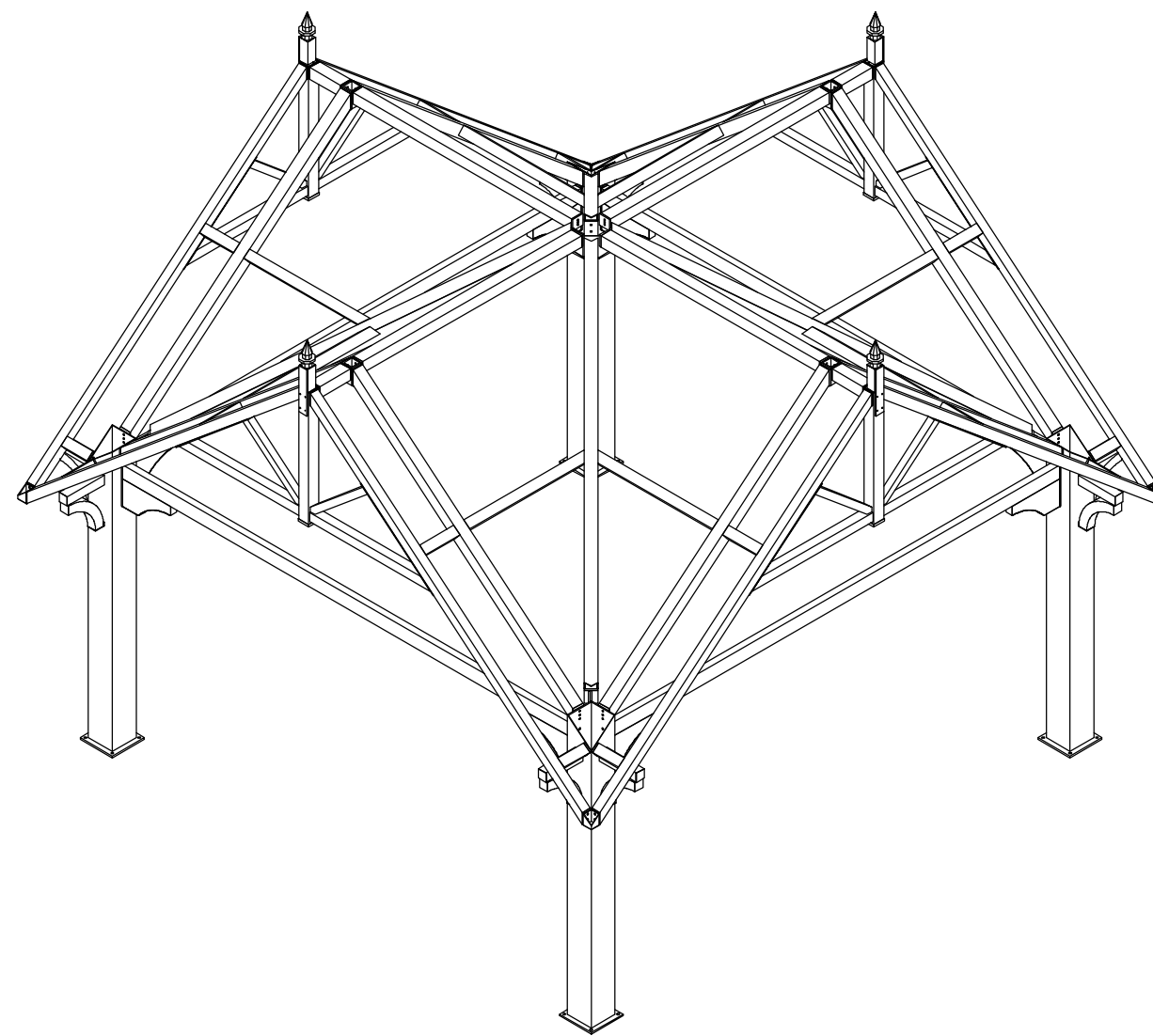
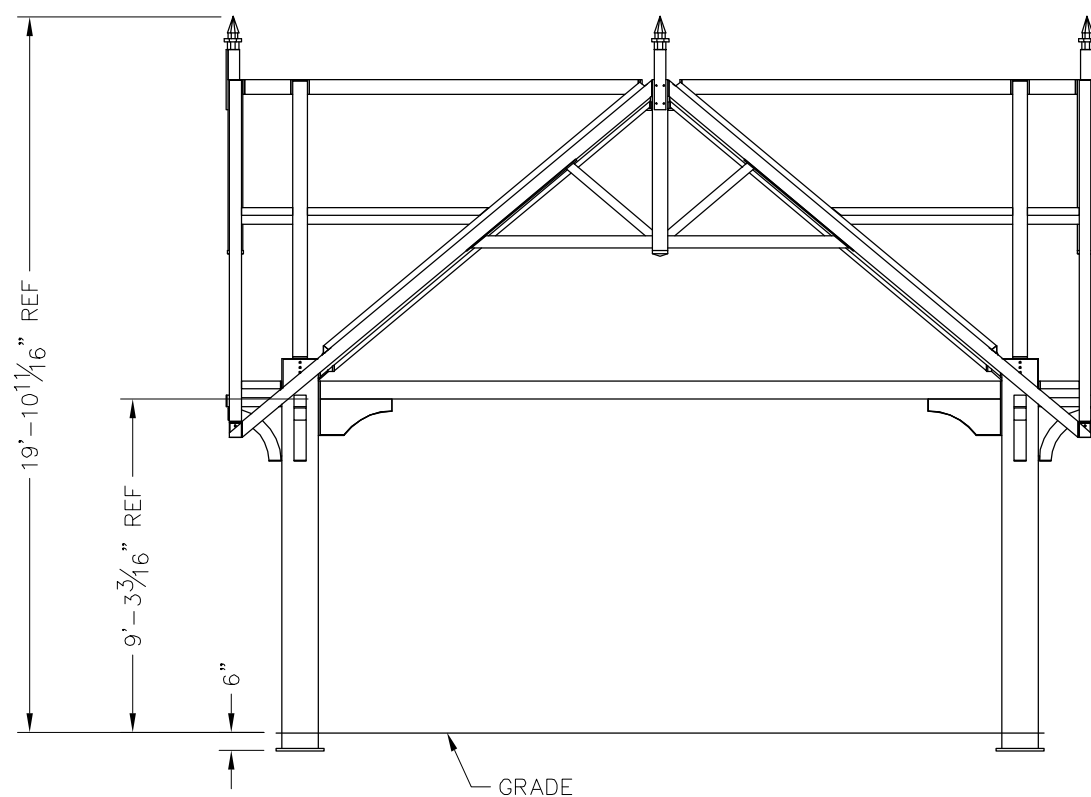
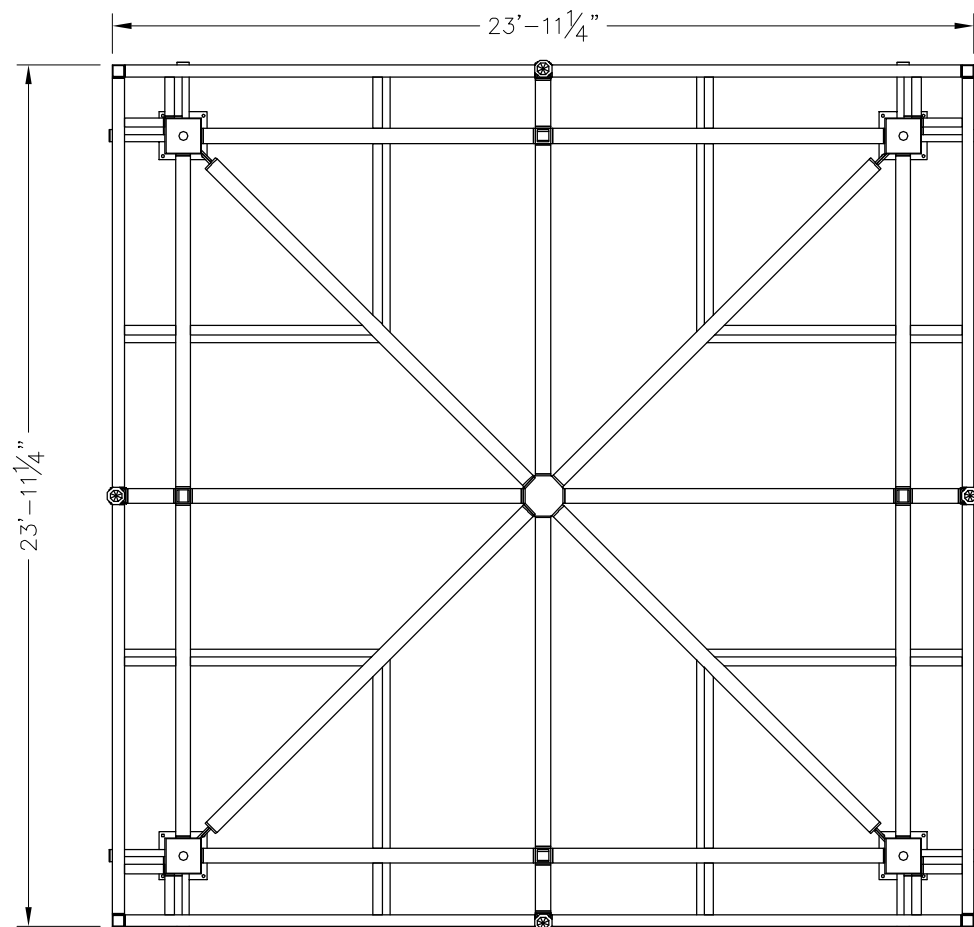
PRELIMINARY: NOT FOR CONSTRUCTION

**ICON Shelter Systems Inc**  
 DISTINCTIVE STEEL SHELTERS  
 WWW.ICONSHELTERS.COM  
 COPYRIGHT 2004, ICON SHELTER SYSTEMS, INC.  
 1455 LINCOLN AVE.  
 HOLLAND MI, 49423  
 616.396.0919  
 800.748.0985  
 616.396.0944 FX

Anchor Bolt Layout

DRAWN BY:	LB
DATE:	10/11/13
JOB NO.:	STANDARD
REVISION:	
BUILDING TYPE:	IN24TA-P10
PROJECT NAME:	-20-90-30 CUSTOM CUPOLA GABLE END ORN FINIAL SPIRES

**SHEET**  
2.0



ALL STRUCTURAL COMPONENTS WILL BE:  
 TUBE: ASTM A500 GRADE B  
 PLATE: ASTM A36  
 BOLTS: ASTM A325  
 NUTS: ASTM A563  
 WELDING: GMAW

NOTE:  
 COLUMN SIZE: CC5-12 WELDMENT

PRELIMINARY: NOT FOR  
 CONSTRUCTION

**ICON**  
 Shelter Systems Inc  
 DISTINCTIVE STEEL SHELTERS  
 WWW.ICONSHelters.COM  
 COPYRIGHT 2004, ICON SHELTER  
 SYSTEMS, INC.  
 1455 LINCOLN AVE.  
 HOLLAND MI, 49423  
 616.396.0919  
 800.748.0985  
 616.396.0944 FX

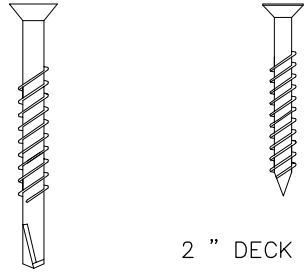
Frame

DRAWN BY:	LB
DATE:	10/11/13
JOB NO.:	
STANDARD	
REVISION:	
BUILDING TYPE:	IN24TA-P10
PROJECT NAME:	-20-90-30 CUSTOM CUPOLA GABLE END ORN FINIAL SPIRES

SHEET  
 3.0

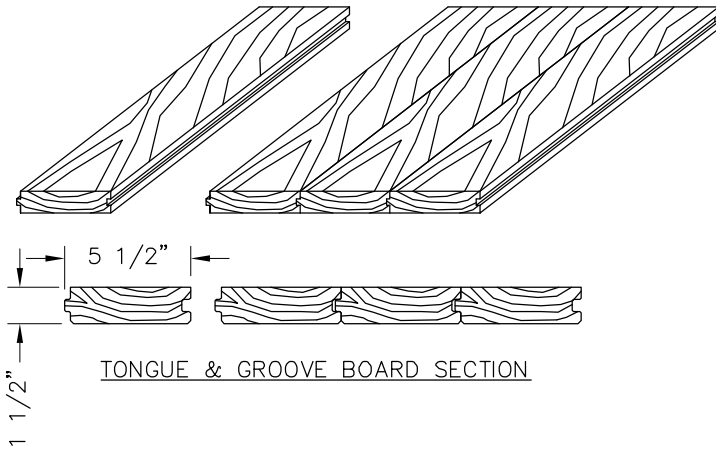
DWG: \\icon01\Company\Engineering\Standards\Shelters\IN\24x24\TA-P10-20-90-30\Drawings\Preliminary\IN24TA-P10-20-90-30~26010.DWG

FASTENERS



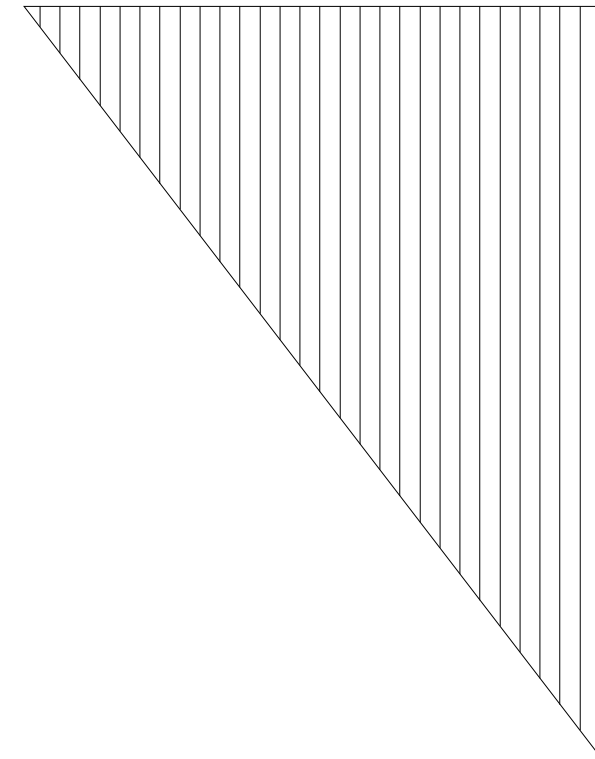
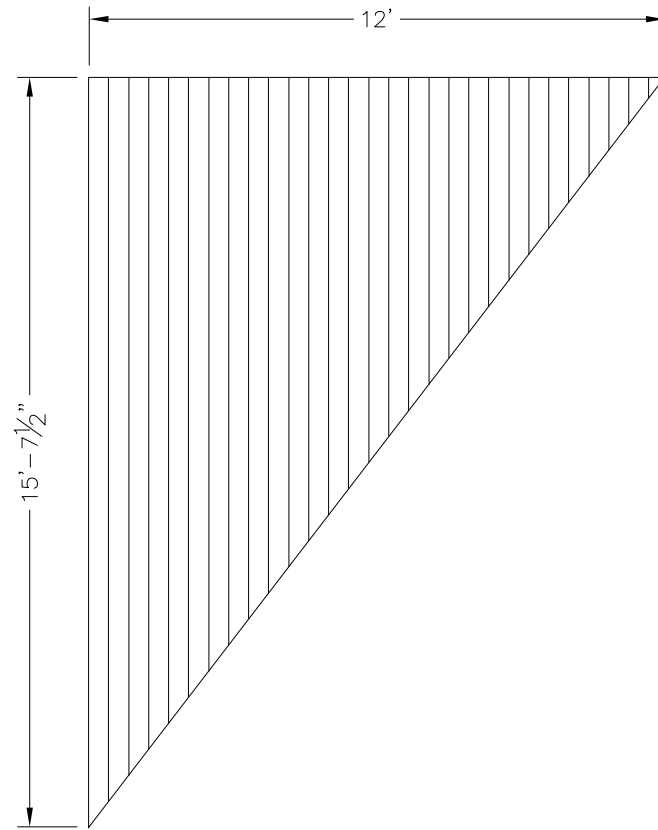
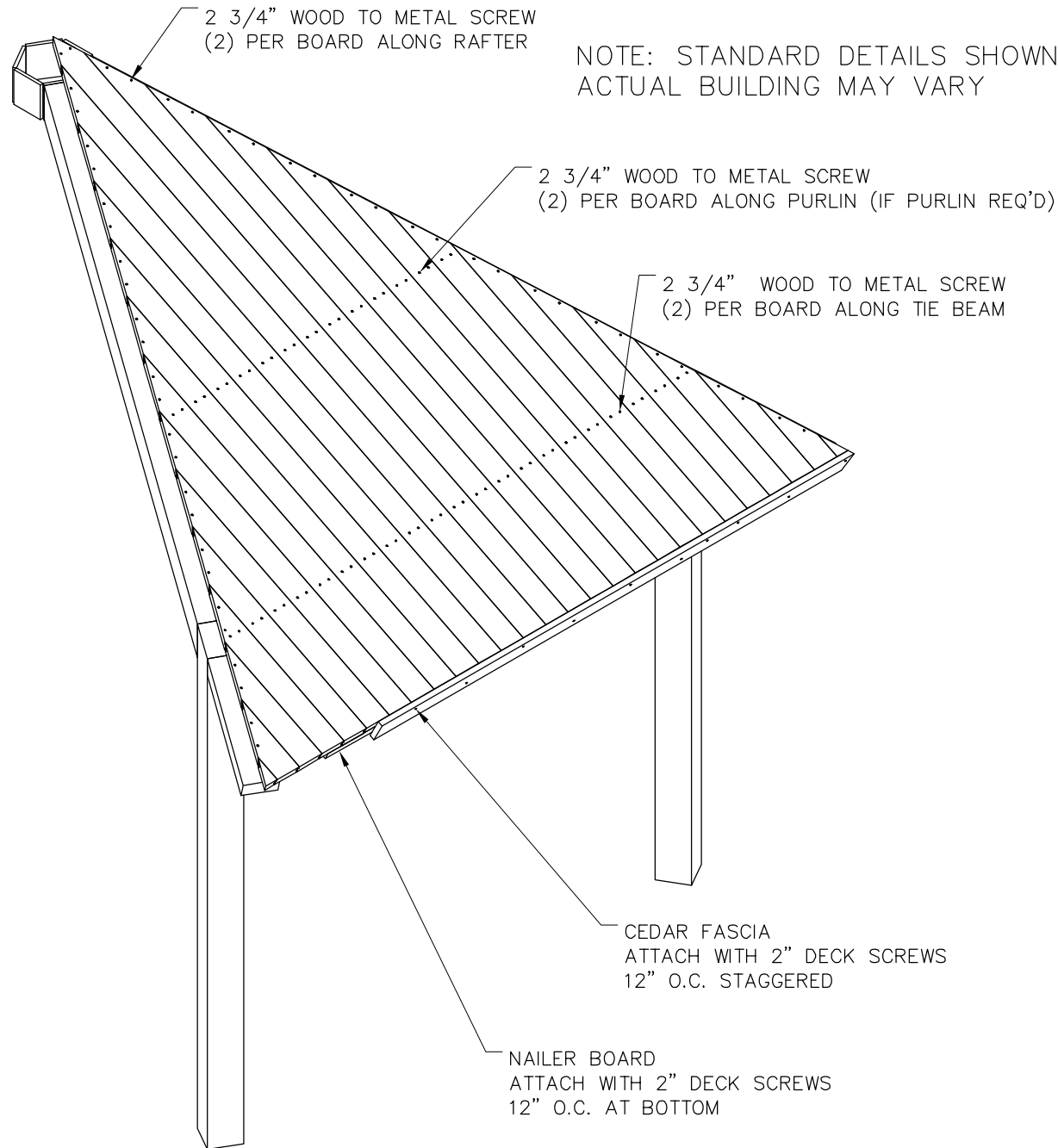
2 3/4" WOOD TO METAL SCREW

2" DECK SCREW



TONGUE & GROOVE BOARD SECTION

NOTE: STANDARD DETAILS SHOWN  
ACTUAL BUILDING MAY VARY



PRELIMINARY: NOT FOR  
CONSTRUCTION

**ICON**  
Shelter Systems Inc  
DISTINCTIVE STEEL SHELTERS  
WWW.ICONSHELTERS.COM  
COPYRIGHT 2004, ICON SHELTER SYSTEMS, INC.  
1455 LINCOLN AVE.  
HOLLAND MI, 49423  
616.396.0919  
800.748.0985  
616.396.0944 FX

Roof Layout

DRAWN BY:	LB
DATE:	10/11/13
JOB NO.:	STANDARD
REVISION:	
BUILDING TYPE:	IN24TA-P10
PROJECT NAME:	-20-90-30 CUSTOM CUPOLA GABLE END ORN FINIAL SPIRES

SHEET  
4.0

DWG: \\icon01\Company\Engineering\Standards\Shelters\IN\24x24\TA-P10-20-90-30\Drawings\Preliminary\IN24TA-P10-20-90-30~26010.DWG