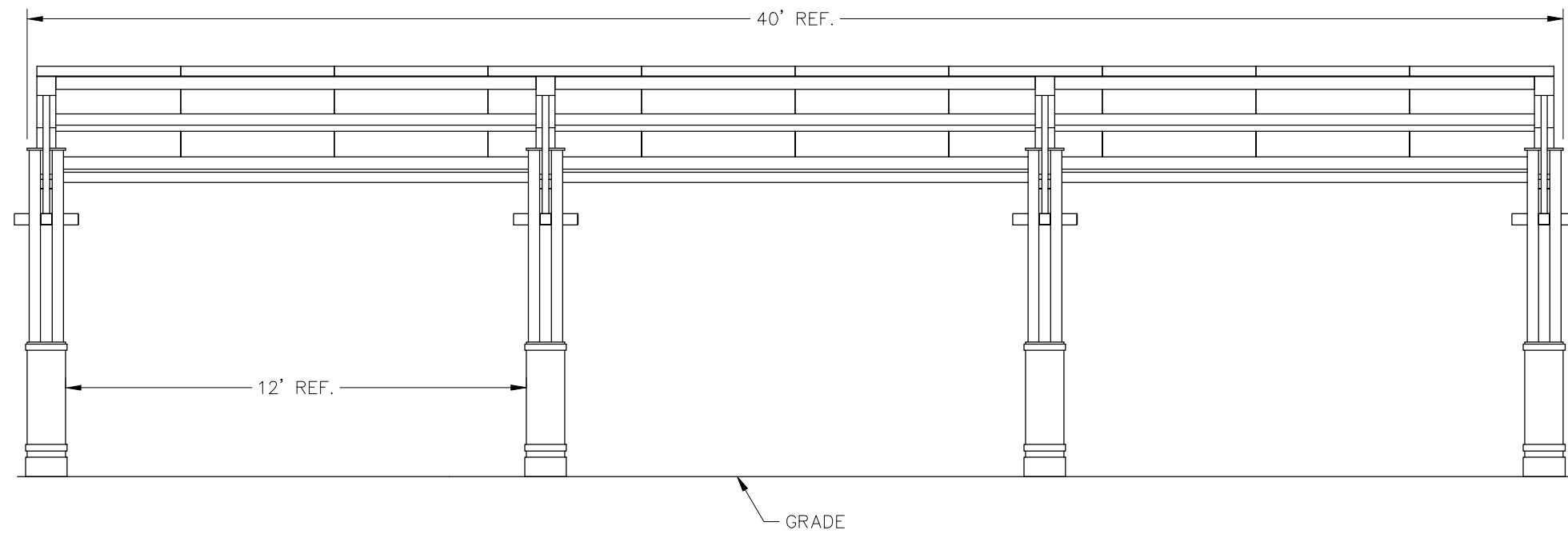
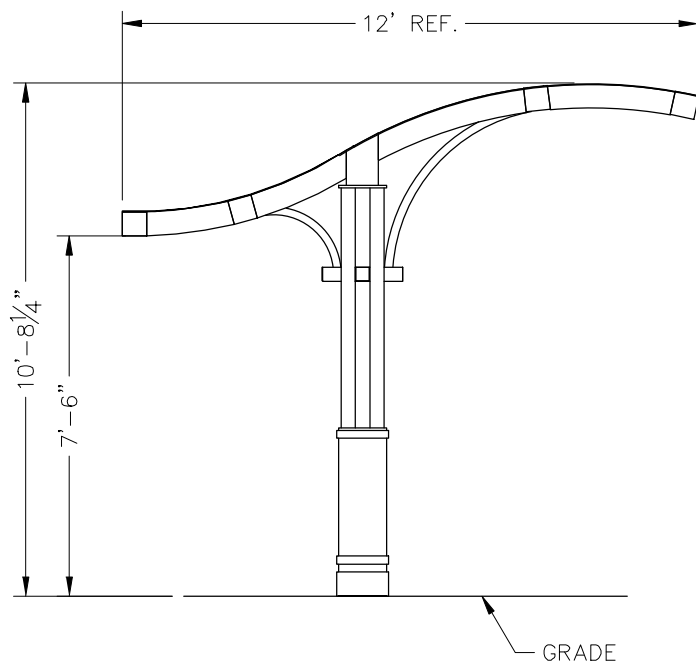
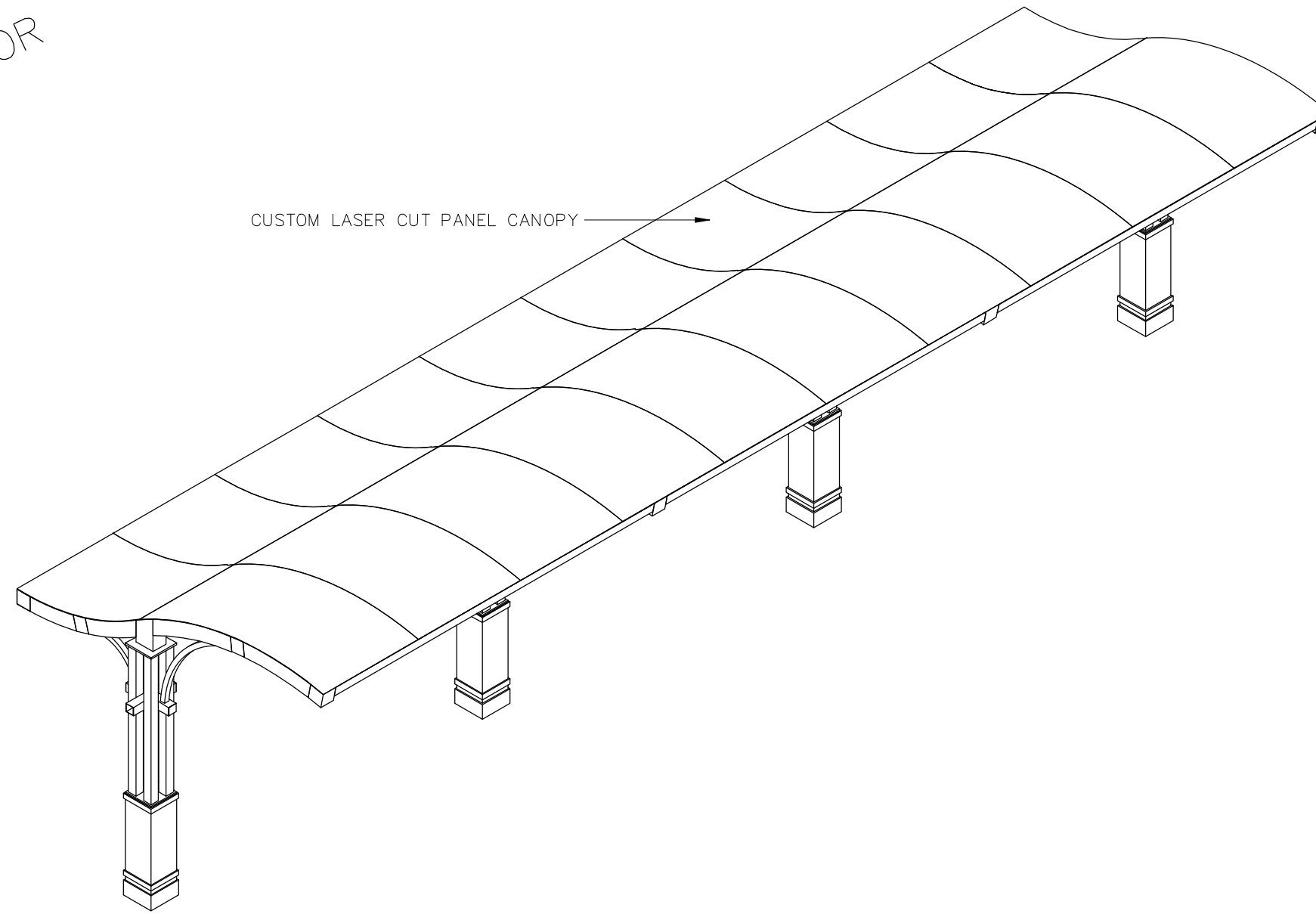


PRELIMINARY: NOT FOR CONSTRUCTION



**ICON**  
**Shelter Systems Inc**  
 DISTINCTIVE STEEL SHELTERS  
 WWW.ICONSHelters.COM  
 COPYRIGHT 2004, ICON SHELTER SYSTEMS, INC.

1455 LINCOLN AVE.  
 HOLLAND MI, 49423

616.396.0919  
 800.748.0985  
 616.396.0944 FX

Elevation

DRAWN BY:

ACP

DATE:

5/20/2019

PRELIMINARY ID:

59156

REVISION:

A

BUILDING TYPE:

FAS12X40Z-P3

PROJECT NAME:

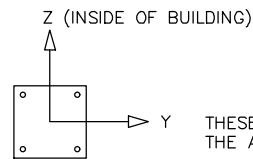
"WAVE" DESIGN

SHEET

1.0

Engineering\AcadStandards\Blocks\Titles\ICONPRETIT  
 QF-73-01-42

DWG:ing\Standards\FAS\12X36\Z-30-100-35\Drawings\Preliminary\FAS12x40Z-P3-30-100-35~59156.DWG



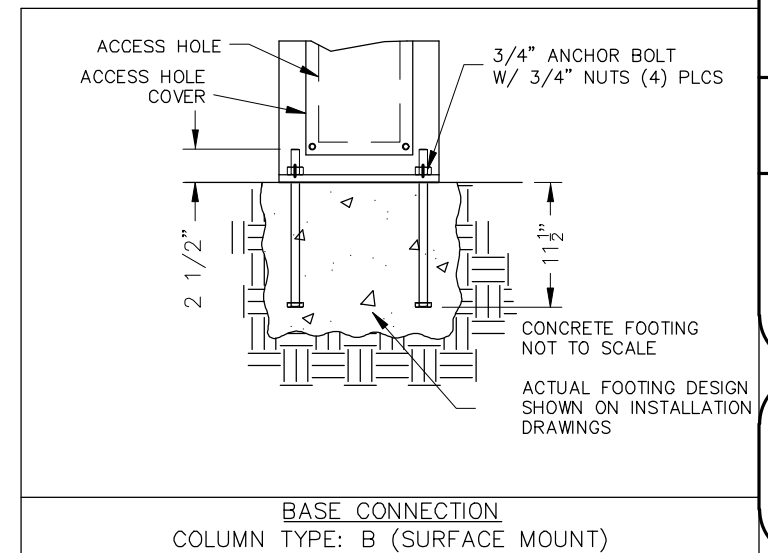
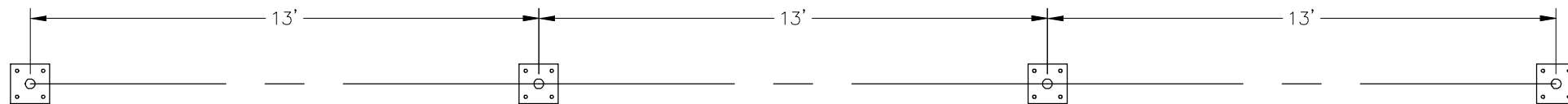
THESE FOUNDATION LOADS ARE FOR ESTIMATING PURPOSE ONLY.  
THE ACTUAL LOADS WILL BE DETERMINED IN THE FINAL ENGINEERING

- NOTES:**
- TABLE SHOWS UNFACTORED SERVICE LOADS
  - A FOUNDATION DESIGN HAS NOT BEEN PERFORMED BY ICON SHELTER SYSTEMS INC.
  - A LICENSED ENGINEER FAMILIAR WITH SOIL CONDITIONS AT CONSTRUCTION SITE MUST PERFORM A FOUNDATION DESIGN.
  - THE STRUCTURE HAS BEEN ENGINEERED AS AN OPEN STRUCTURE.
  - CONSULT ICON SHELTER SYSTEMS INC. IF THE STRUCTURE IS TO BE ENCLOSED.
  - COORDINATES ARE LOCAL TO THE COLUMN

- DEFINITIONS:**
- DL = SERVICE LEVEL DEAD LOAD REACTION WITH THE GREATEST AXIAL LOAD
  - SL = SERVICE LEVEL SNOW LOAD REACTION WITH THE GREATEST AXIAL LOAD
  - W-UL = SERVICE LEVEL WIND LOAD REACTION WITH THE GREATEST UPLIFT LOAD
  - W-Y = SERVICE LEVEL WIND LOAD REACTION WITH THE GREATEST MAGNITUDE OF SHEAR IN THE LOCAL Y DIRECTION
  - W-Z = SERVICE LEVEL WIND LOAD REACTION WITH THE GREATEST SHEAR VALUE ACTING IN THE SAME DIRECTION AS THE DL SHEAR LOAD
  - E-Y = SERVICE LEVEL SEISMIC LOAD REACTION WITH THE GREATEST MAGNITUDE OF SHEAR IN THE LOCAL Y DIRECTION
  - E-Z = SERVICE LEVEL SEISMIC LOAD REACTION WITH THE GREATEST MAGNITUDE OF SHEAR IN THE LOCAL Z DIRECTION

LOADS TO FOUNDATION (KIPS, IN-KIPS)	FOUNDATION LOADS				
	AXIAL (Fx)	SHEAR (Fy)	SHEAR (Fz)	MOMENT (My)	MOMENT (Mz)
DL	2.28	0.00	0.00	-25.47	0.00
SL	3.82	0.00	0.00	-45.91	0.00
W-UPLIFT	-2.37	0.00	-0.20	75.87	0.00
W-FY	0.77	-0.28	0.06	-16.53	-32.36
W-FZ	-2.37	0.00	-0.20	75.87	0.00
E-FY	0.00	-0.50	0.00	0.00	-57.83
E-Z	0.00	0.00	-0.67	77.12	0.00

CL1



**BASE CONNECTION**  
COLUMN TYPE: B (SURFACE MOUNT)

PRELIMINARY: NOT FOR CONSTRUCTION

**ICON**  
Shelter Systems Inc  
DISTINCTIVE STEEL SHELTERS  
WWW.ICONSHelters.COM  
COPYRIGHT 2004, ICON SHELTER SYSTEMS, INC.  
1455 LINCOLN AVE.  
HOLLAND MI, 49423  
616.396.0919  
800.748.0985  
616.396.0944 FX

Anchor Bolt Layout

**DRAWN BY:**  
ACP

**DATE:**  
5/20/2019

**PRELIMINARY ID:**  
59156

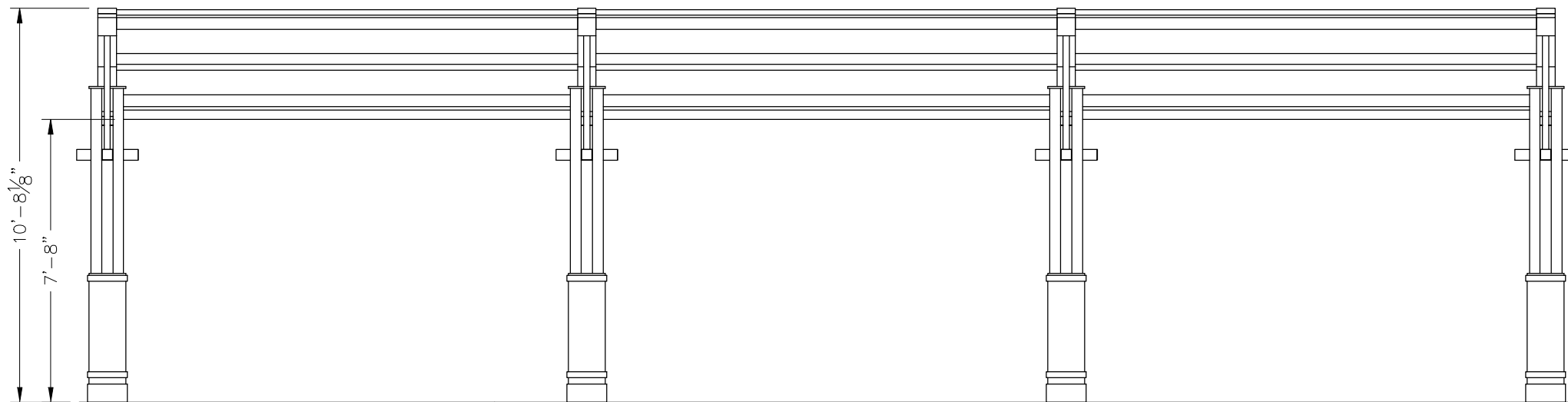
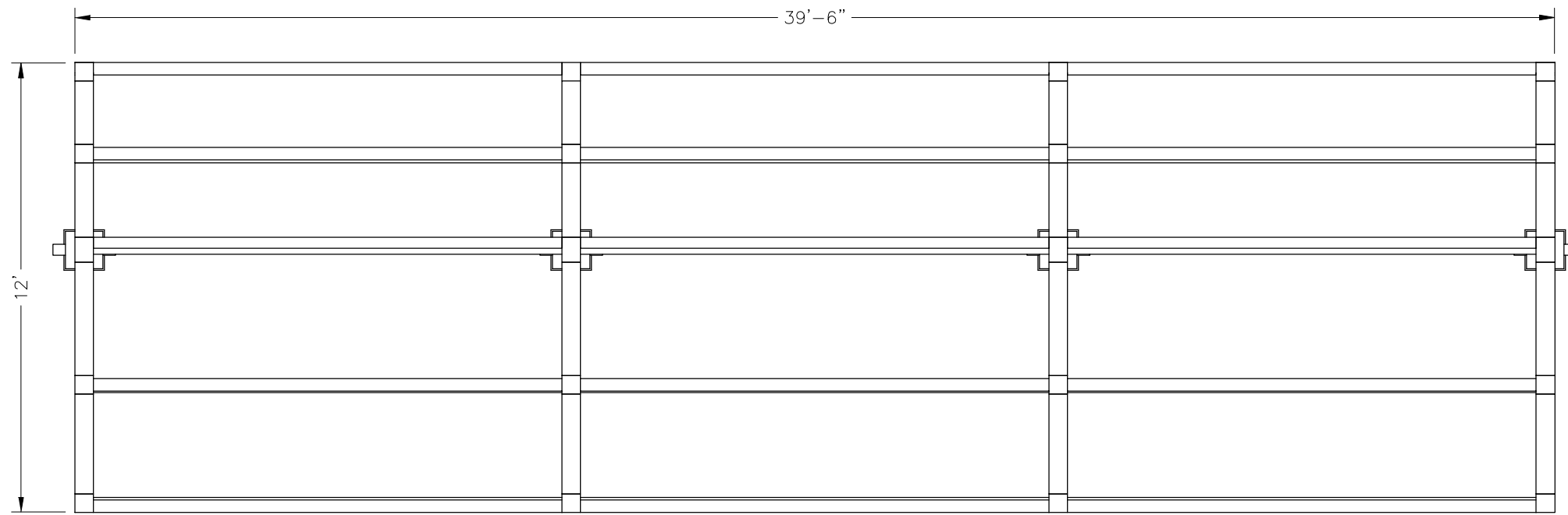
**REVISION:**  
A

**BUILDING TYPE:**  
FAS12X40Z-P3

**PROJECT NAME:**  
"WAVE" DESIGN

**SHEET**  
**2.0**

DWG:ing\Standards\FAS\12X36\Z-30-100-35\Drawings\Preliminary\FAS12X40Z-P3-30-100-35~59156.DWG

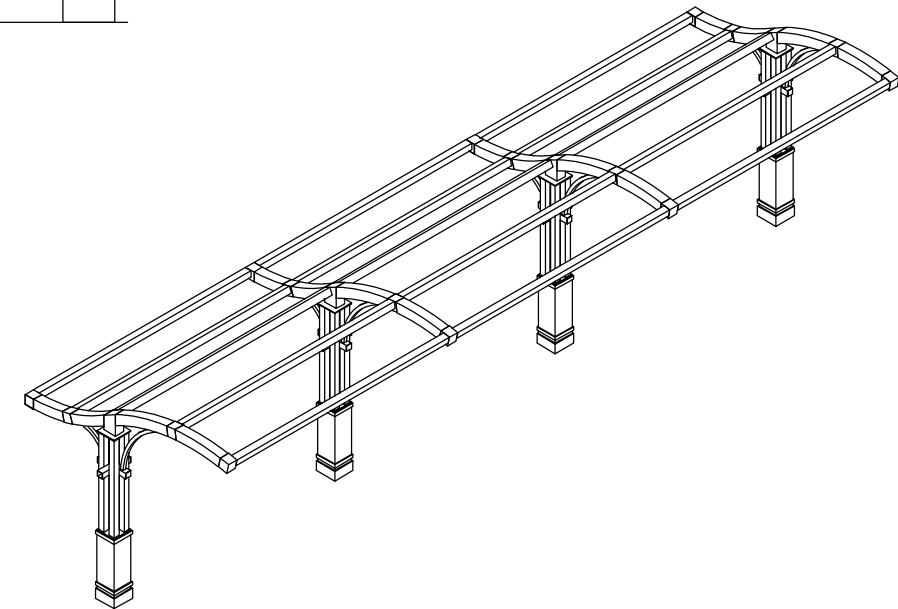


PRELIMINARY: NOT FOR CONSTRUCTION

**ICON**  
 Shelter Systems Inc  
 DISTINCTIVE STEEL SHELTERS  
 WWW.ICONSHelters.COM  
 COPYRIGHT 2004, ICON SHELTER SYSTEMS, INC.  
 1455 LINCOLN AVE.  
 HOLLAND MI, 49423  
 616.396.0919  
 800.748.0985  
 616.396.0944 FX

Frame

DRAWN BY:	ACP
DATE:	5/20/2019
PRELIMINARY ID:	59156
REVISION:	A
BUILDING TYPE:	FAS12X40Z-P3
PROJECT NAME:	"WAVE" DESIGN



ALL STRUCTURAL COMPONENTS WILL BE:  
 TUBE: ASTM A500 GRADE B  
 PLATE: ASTM A36  
 BOLTS: ASTM A325  
 NUTS: ASTM A563  
 WELDING: GMAW

NOTE:  
 COLUMN SIZE: CC7-12 WELDMENT

SHEET  
 3.0

DWG:ing\Standards\FAS\12X36\Z-30-100-35\Drawings\Preliminary\FAS12x40Z-P3-30-100-35~59156.DWG

Engineering\AcadStandards\Blocks\Titles\ICONPRETIT  
 QF-73-01-42