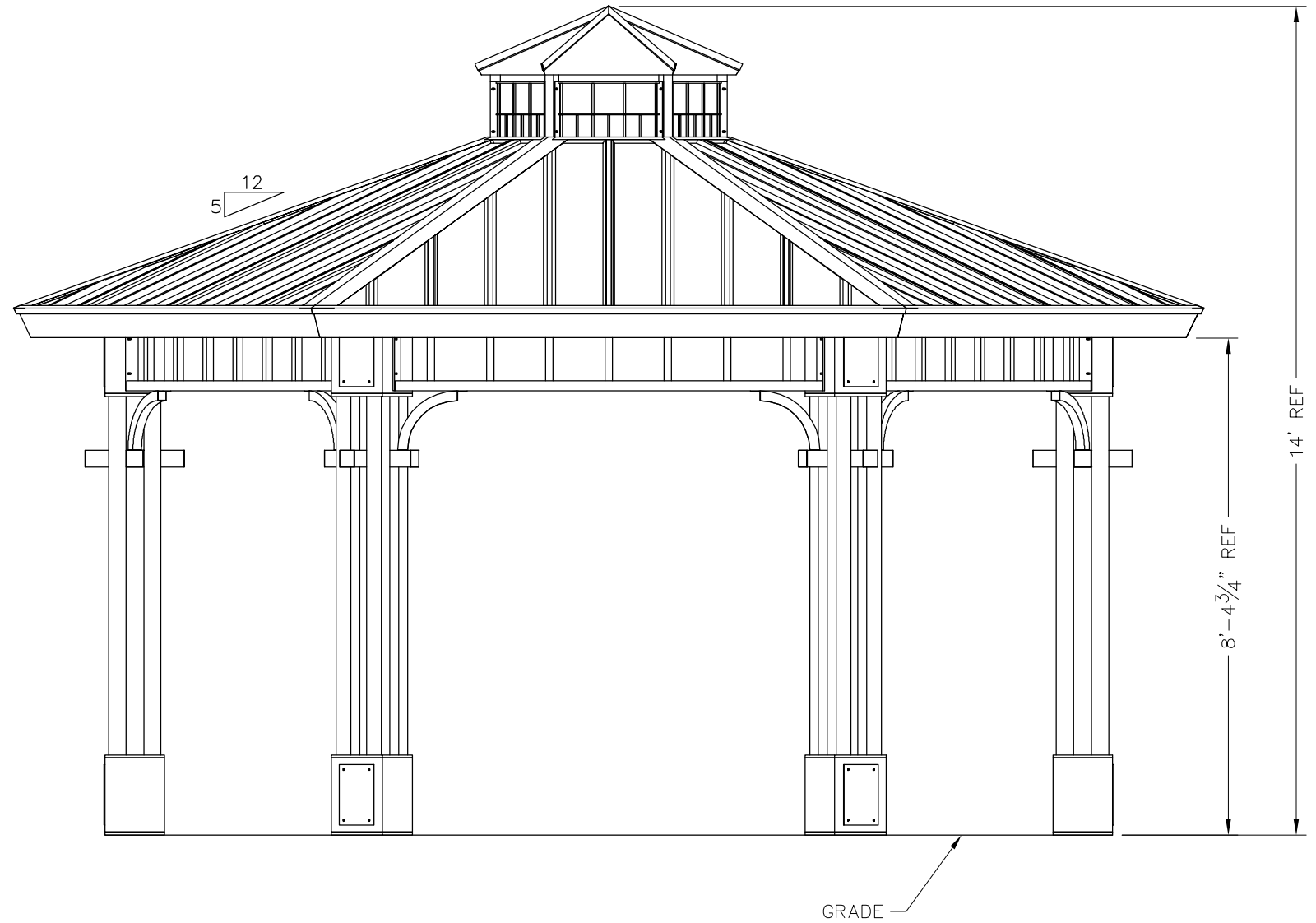


PRELIMINARY: NOT FOR CONSTRUCTION



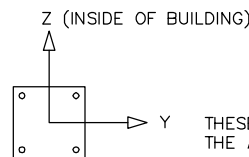
ICON
 Shelter Systems Inc
 DISTINCTIVE STEEL SHELTERS
 WWW.ICONSHelters.COM
 COPYRIGHT 2004, ICON SHELTER SYSTEMS, INC.
 1455 LINCOLN AVE.
 HOLLAND MI, 49423
 616.396.0919
 800.748.0985
 616.396.0944 FX

Elevation

DRAWN BY:	LB
DATE:	9/17/14
JOB NO.:	STANDARD
REVISION:	
BUILDING TYPE:	CX20TM-P5
PROJECT NAME:	-70-150-125 CUPOLA CC1-12 COLUMNS OPEN PANE ORN

SHEET
 1.0

DWG: \\icon01\Company\Engineering\Standards\CX\20\TM-P5-70-150-125\Drawings\Preliminary\CX20-9TM-P5-70-150-125~29079.DWG

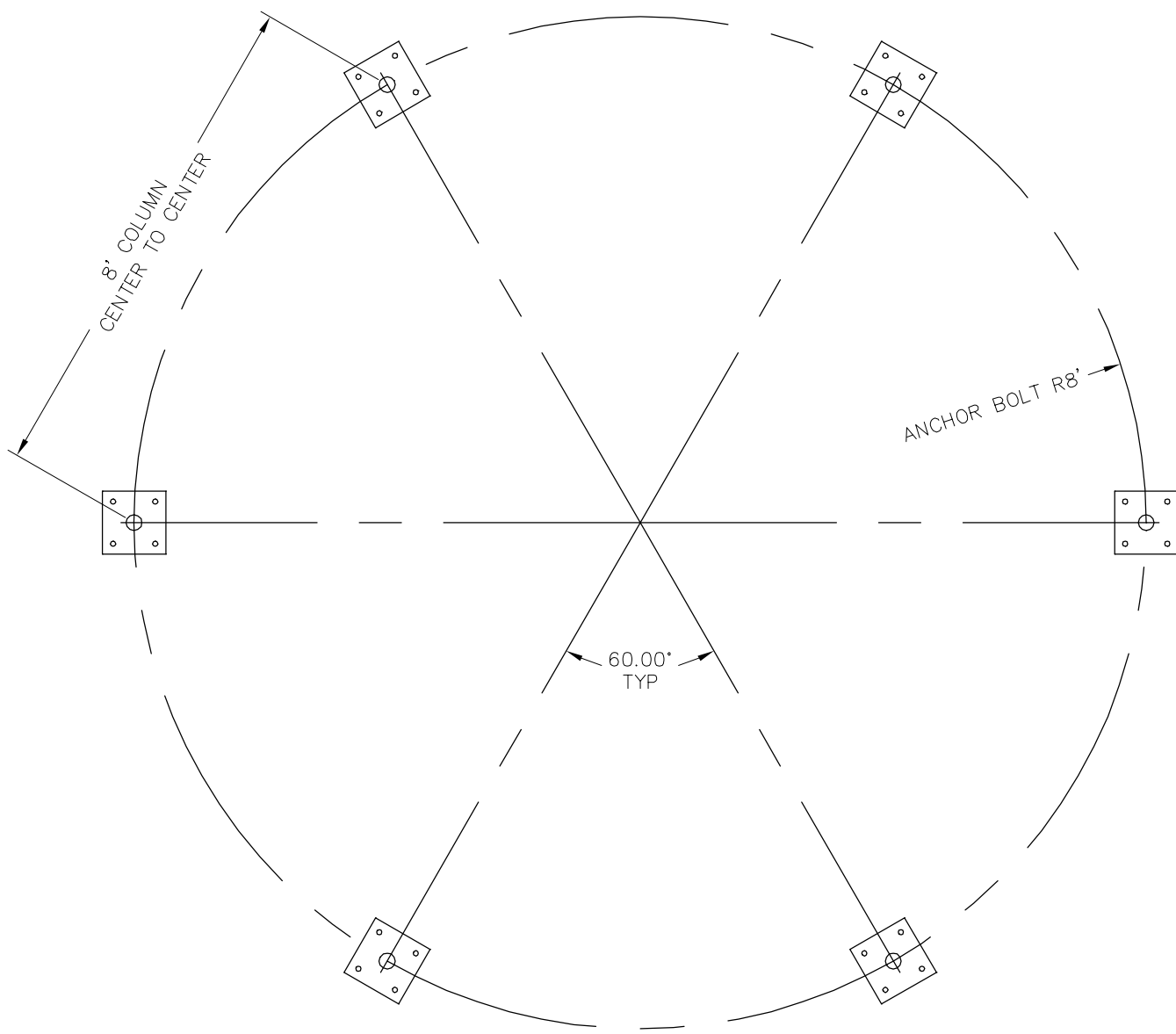


THESE FOUNDATION LOADS ARE FOR ESTIMATING PURPOSE ONLY.
THE ACTUAL LOADS WILL BE DETERMINED IN THE FINAL ENGINEERING

- NOTES:**
- TABLE SHOWS UNFACTORED SERVICE LOADS
 - A FOUNDATION DESIGN HAS NOT BEEN PERFORMED BY ICON SHELTER SYSTEMS INC.
 - A LICENSED ENGINEER FAMILIAR WITH SOIL CONDITIONS AT CONSTRUCTION SITE MUST PERFORM A FOUNDATION DESIGN.
 - THE STRUCTURE HAS BEEN ENGINEERED AS AN OPEN STRUCTURE.
 - CONSULT ICON SHELTER SYSTEMS INC. IF THE STRUCTURE IS TO BE ENCLOSED.
 - COORDINATES ARE LOCAL TO THE COLUMN

- DEFINITIONS:**
- DL = SERVICE LEVEL DEAD LOAD REACTION WITH THE GREATEST AXIAL LOAD
 - SL = SERVICE LEVEL SNOW LOAD REACTION WITH THE GREATEST AXIAL LOAD
 - W-UL = SERVICE LEVEL WIND LOAD REACTION WITH THE GREATEST UPLIFT LOAD
 - W-Y = SERVICE LEVEL WIND LOAD REACTION WITH THE GREATEST MAGNITUDE OF SHEAR IN THE LOCAL Y DIRECTION
 - W-Z = SERVICE LEVEL WIND LOAD REACTION WITH THE GREATEST SHEAR VALUE ACTING IN THE SAME DIRECTION AS THE DL SHEAR LOAD
 - E-Y = SERVICE LEVEL SEISMIC LOAD REACTION WITH THE GREATEST MAGNITUDE OF SHEAR IN THE LOCAL Y DIRECTION
 - E-Z = SERVICE LEVEL SEISMIC LOAD REACTION WITH THE GREATEST MAGNITUDE OF SHEAR IN THE LOCAL Z DIRECTION

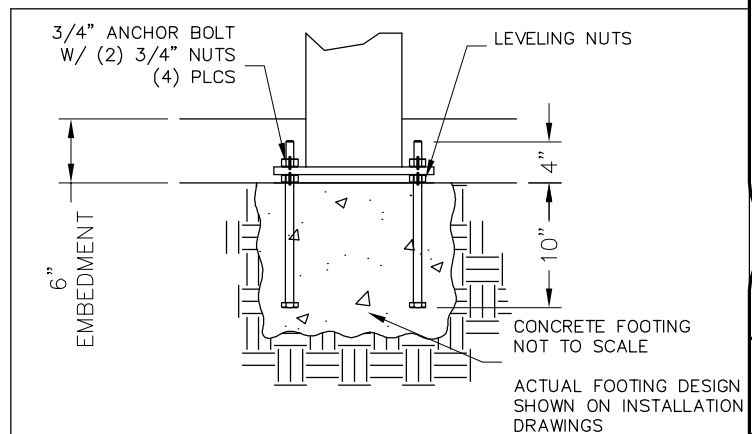
LOADS TO FOUNDATION (KIPS, IN-KIPS)	FOUNDATION LOADS				
	AXIAL (Fx)	SHEAR (Fy)	SHEAR (Fz)	MOMENT (My)	MOMENT (Mz)
DL	0.54	0.00	-0.01	0.01	0.00
SL	2.98	0.00	-0.02	0.06	0.00
W-UPLIFT	-1.32	0.29	0.02	-0.11	2.67
W-FY	-1.32	-0.29	0.02	-0.11	-2.67
W-FZ	-1.20	0.15	0.26	-2.30	1.31
E-FY	0.00	-0.80	0.00	0.00	-7.16
E-Z	-0.07	0.00	-0.80	7.17	0.00



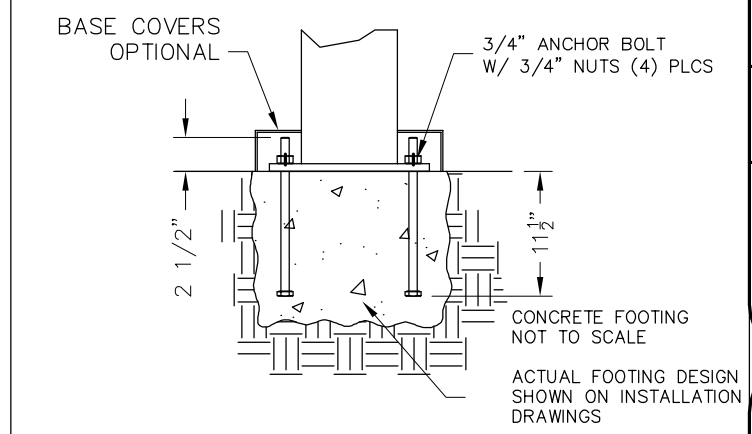
PRELIMINARY: NOT FOR CONSTRUCTION

ICON
Shelter Systems Inc
DISTINCTIVE STEEL SHELTERS
WWW.ICONSHELTERS.COM
COPYRIGHT 2004, ICON SHELTER SYSTEMS, INC.
1455 LINCOLN AVE.
HOLLAND MI, 49423
616.396.0919
800.748.0985
616.396.0944 FX

Anchor Bolt Layout



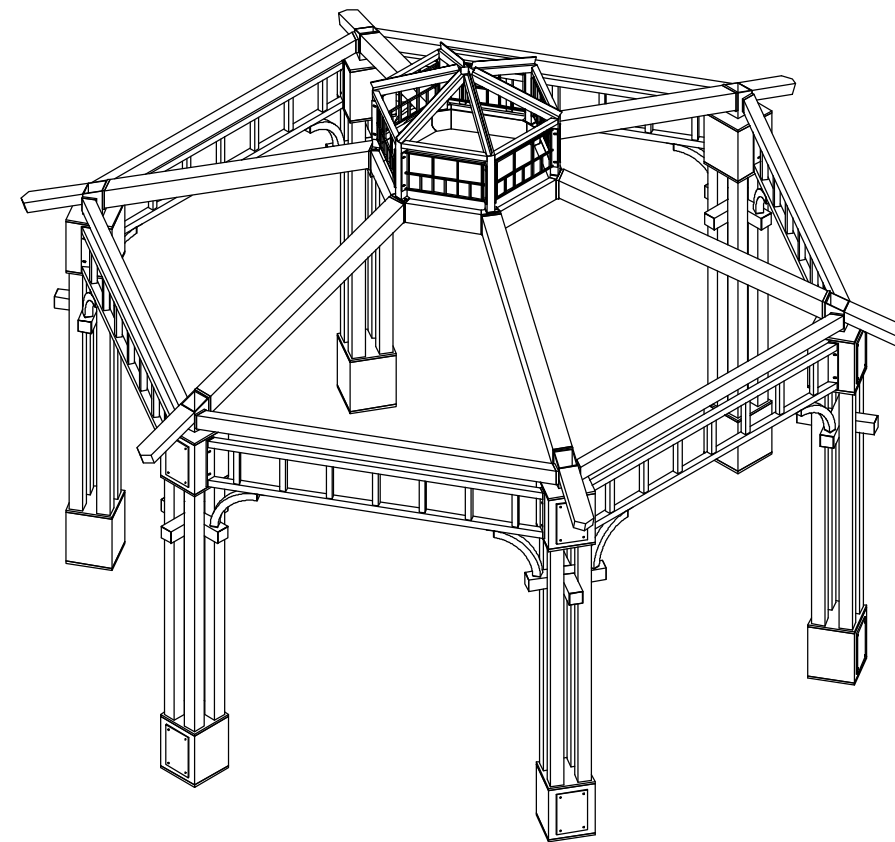
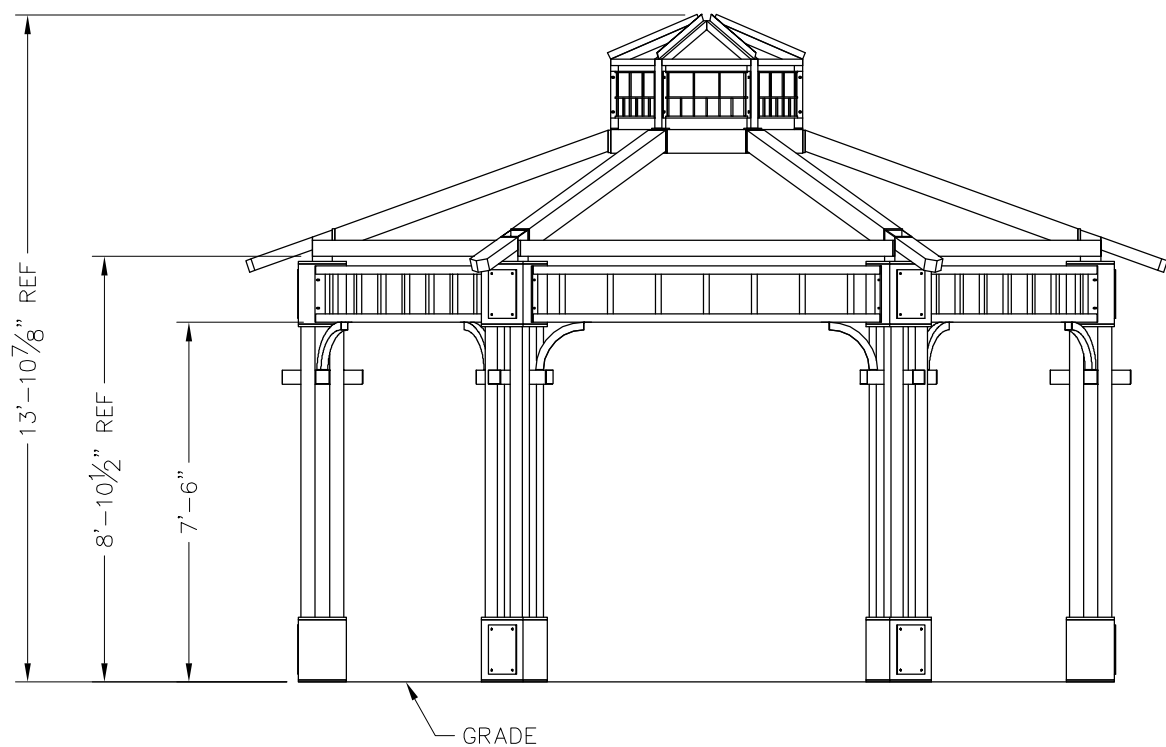
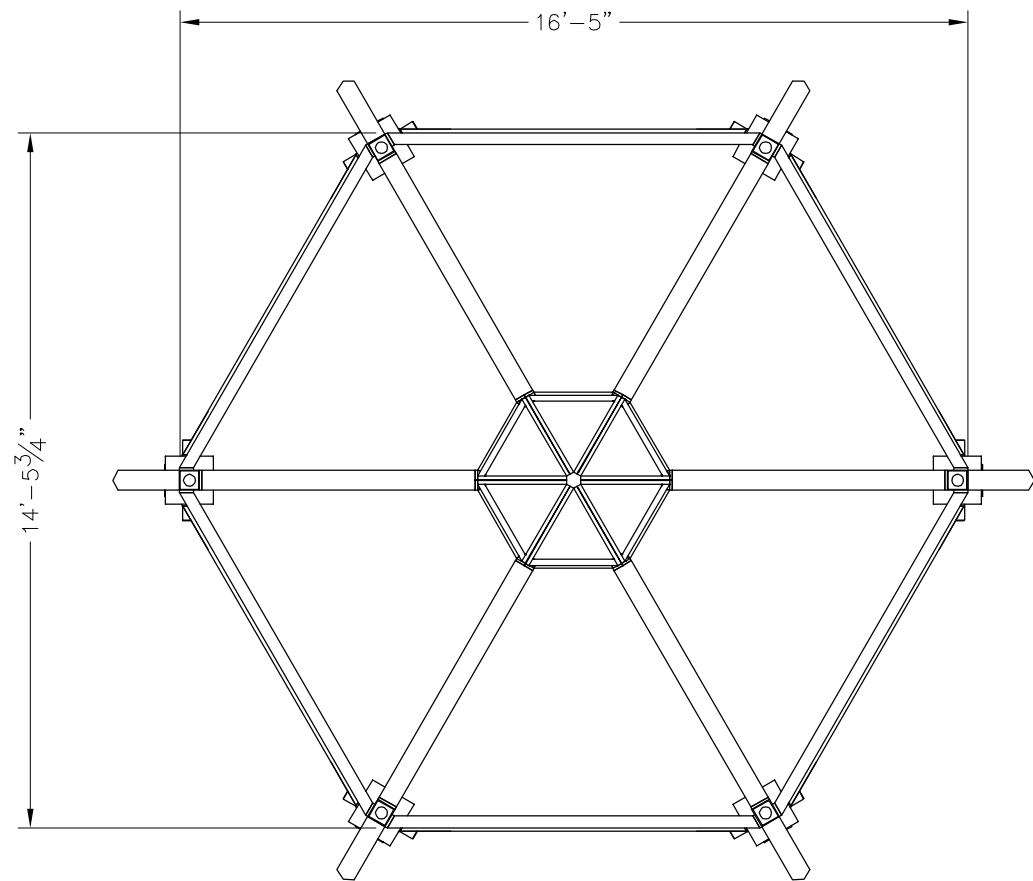
PRELIMINARY DRAWINGS SHOWN AS 6" BURIED
STANDARD BASE CONNECTION
COLUMN TYPE: A (6" BURIED)



OPTIONAL BASE CONNECTION
COLUMN TYPE: B (SURFACE MOUNT W/ COVERS)

DRAWN BY: LB
DATE: 9/17/14
JOB NO.: STANDARD
REVISION:
BUILDING TYPE: CX20TM-P5
PROJECT NAME: -70-150-125 CUPOLA CC1-12 COLUMNS OPEN PANE ORN

SHEET 2.0



PRELIMINARY: NOT FOR CONSTRUCTION

ICON
 Shelter Systems Inc
 DISTINCTIVE STEEL SHELTERS
 WWW.ICONSHELTERS.COM
 COPYRIGHT 2004, ICON SHELTER SYSTEMS, INC.
 1455 LINCOLN AVE.
 HOLLAND MI, 49423
 616.396.0919
 800.748.0985
 616.396.0944 FX

Frame

DRAWN BY:	LB
DATE:	9/17/14
JOB NO.:	STANDARD
REVISION:	
BUILDING TYPE:	CX20TM-P5
PROJECT NAME:	-70-150-125 CUPOLA CC1-12 COLUMNS OPEN PANE ORN

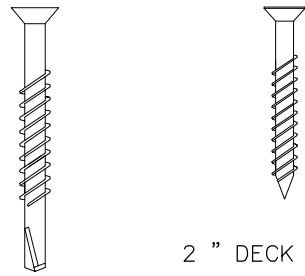
ALL STRUCTURAL COMPONENTS WILL BE:
 TUBE: ASTM A500 GRADE B
 PLATE: ASTM A36
 BOLTS: ASTM A325
 NUTS: ASTM A563
 WELDING: GMAW

NOTE:
 COLUMN SIZE: (4) HSS 3.5x3.5x1/8

SHEET
 3.0

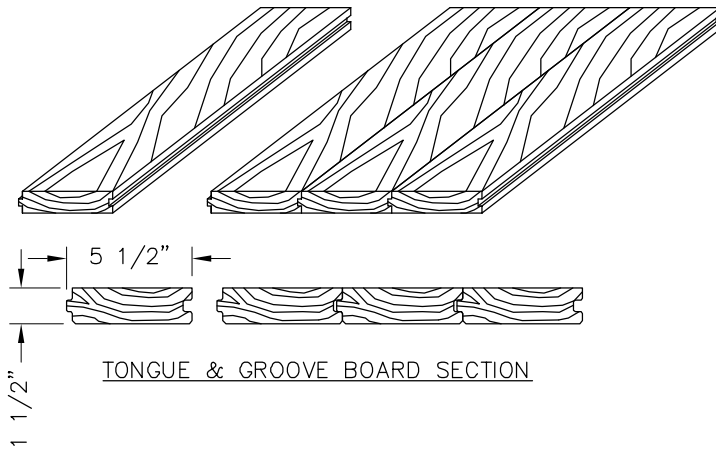
DWG: \\icon01\Company\Engineering\Standards\CX\20\TM-P5-70-150-125\Drawings\Preliminary\CX20-9TM-P5-70-150-125~29079.DWG

FASTENERS



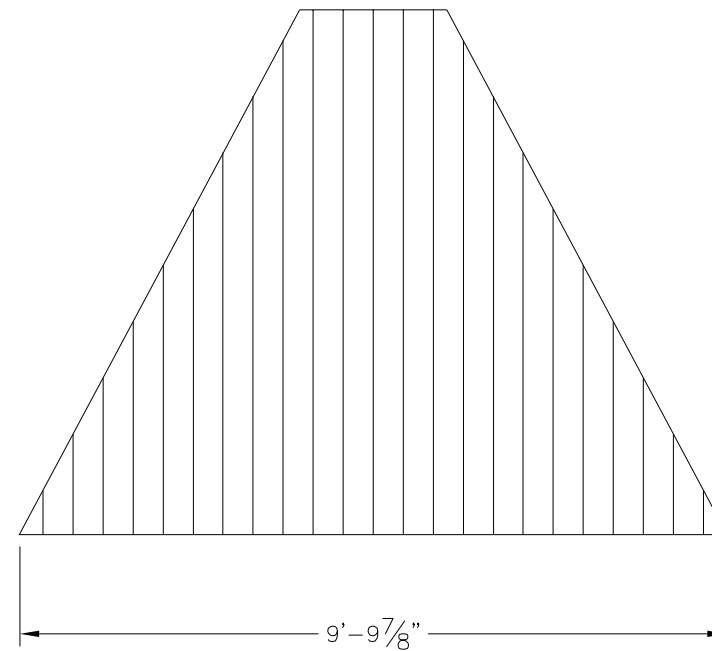
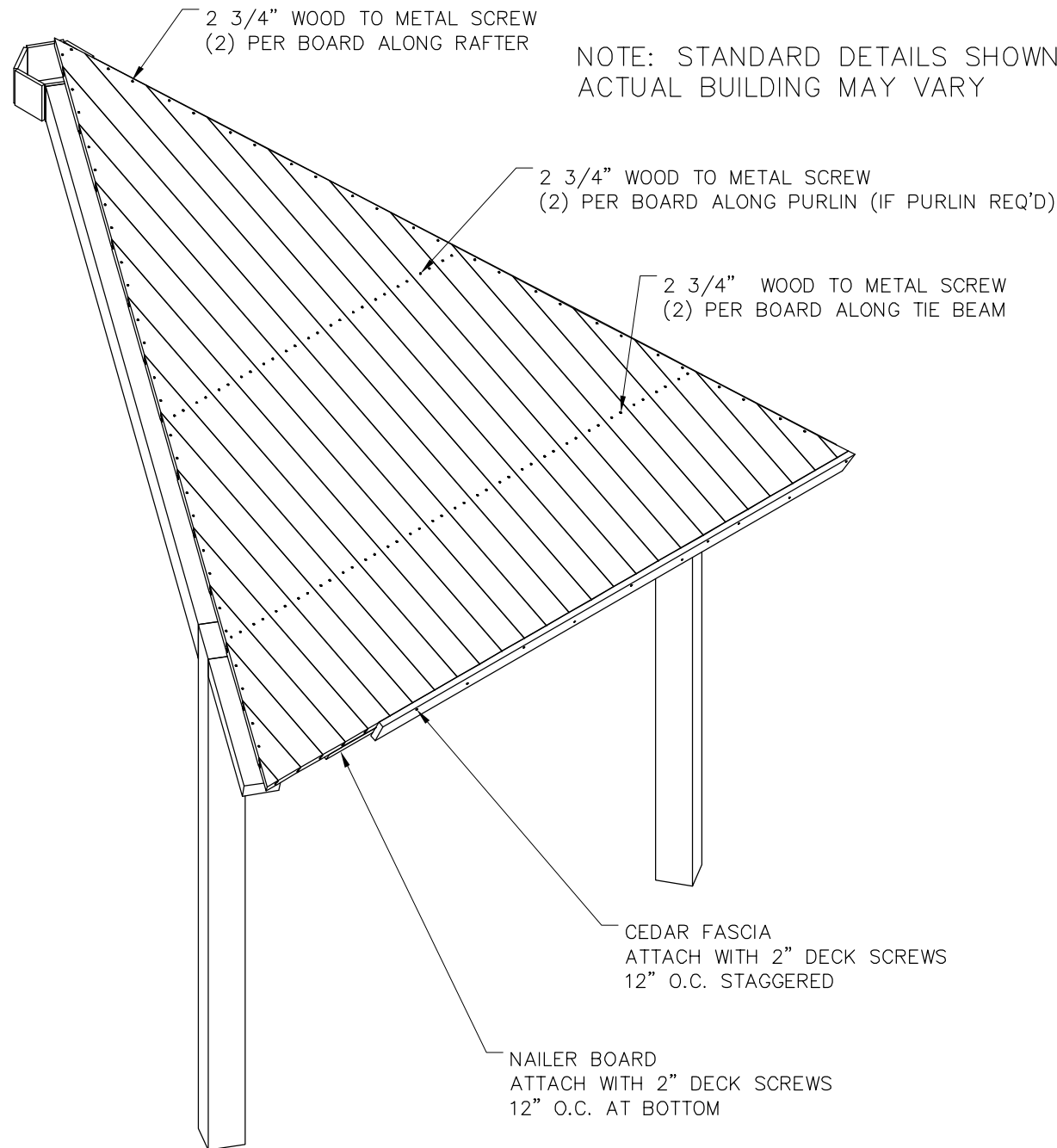
2 3/4" WOOD TO METAL SCREW

2" DECK SCREW



TONGUE & GROOVE BOARD SECTION

NOTE: STANDARD DETAILS SHOWN
ACTUAL BUILDING MAY VARY



PRELIMINARY: NOT FOR
CONSTRUCTION

ICON
Shelter Systems Inc
DISTINCTIVE STEEL SHELTERS
WWW.ICONSHelters.COM
COPYRIGHT 2004, ICON SHELTER SYSTEMS, INC.
1455 LINCOLN AVE.
HOLLAND MI, 49423
616.396.0919
800.748.0985
616.396.0944 FX

Roof Layout

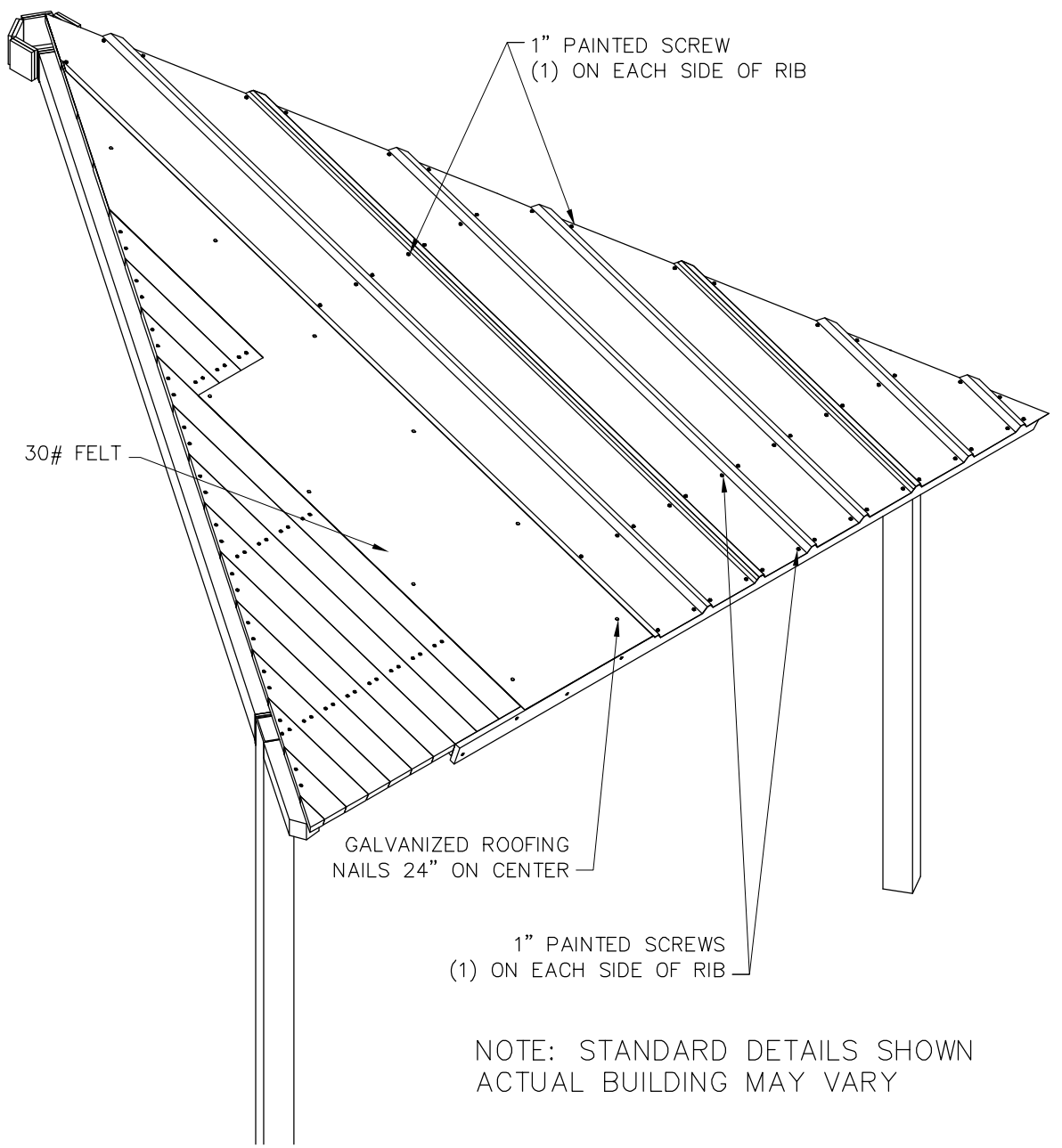
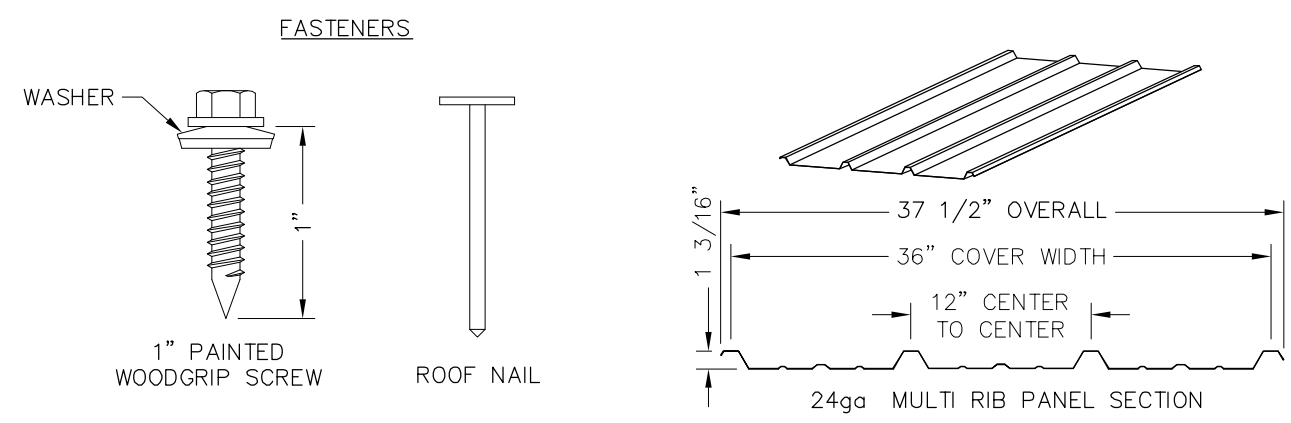
DRAWN BY:	LB
DATE:	9/17/14
JOB NO.:	STANDARD
REVISION:	
BUILDING TYPE:	CX20TM-P5
PROJECT NAME:	-70-150-125 CUPOLA CC1-12 COLUMNS OPEN PANE ORN

SHEET
4.0

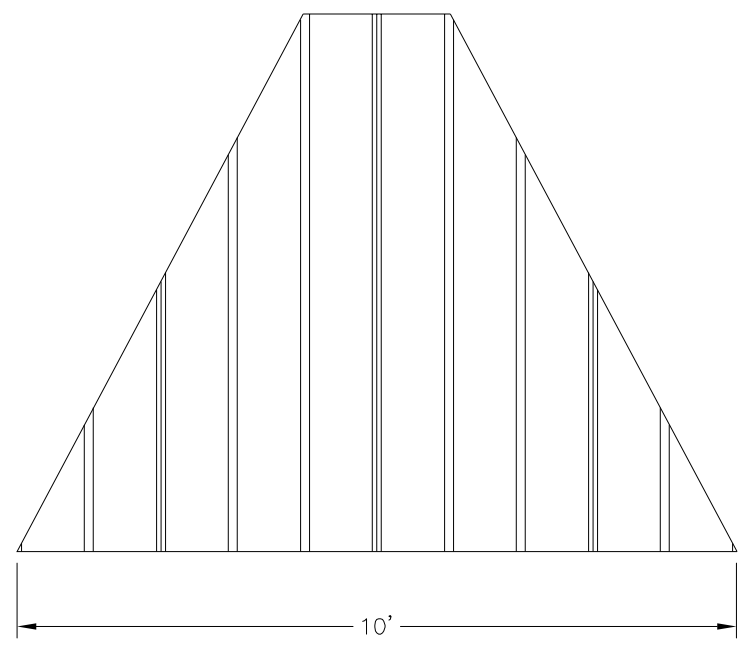
DWG: \\icon01\Company\Engineering\Standards\CX\20\TM-P5-70-150-125\Drawings\Preliminary\CX20-9TM-P5-70-150-125-29079.DWG

PRELIMINARY: NOT FOR CONSTRUCTION

ICON
Shelter Systems Inc
 DISTINCTIVE STEEL SHELTERS
 WWW.ICONSHELTERS.COM
 COPYRIGHT 2004, ICON SHELTER SYSTEMS, INC.
 1455 LINCOLN AVE.
 HOLLAND MI, 49423
 616.396.0919
 800.748.0985
 616.396.0944 FX



NOTE: STANDARD DETAILS SHOWN
 ACTUAL BUILDING MAY VARY



Roof Layout

DRAWN BY:	LB
DATE:	9/17/14
JOB NO.:	STANDARD
REVISION:	
BUILDING TYPE:	CX20TM-P5
PROJECT NAME:	-70-150-125 CUPOLA CC1-12 COLUMNS OPEN PANE ORN

DWG: \\icon01\Company\Engineering\Standards\CX\20\TM-P5-70-150-125\Drawings\Preliminary\CX20-9TM-P5-70-150-125-29079.DWG