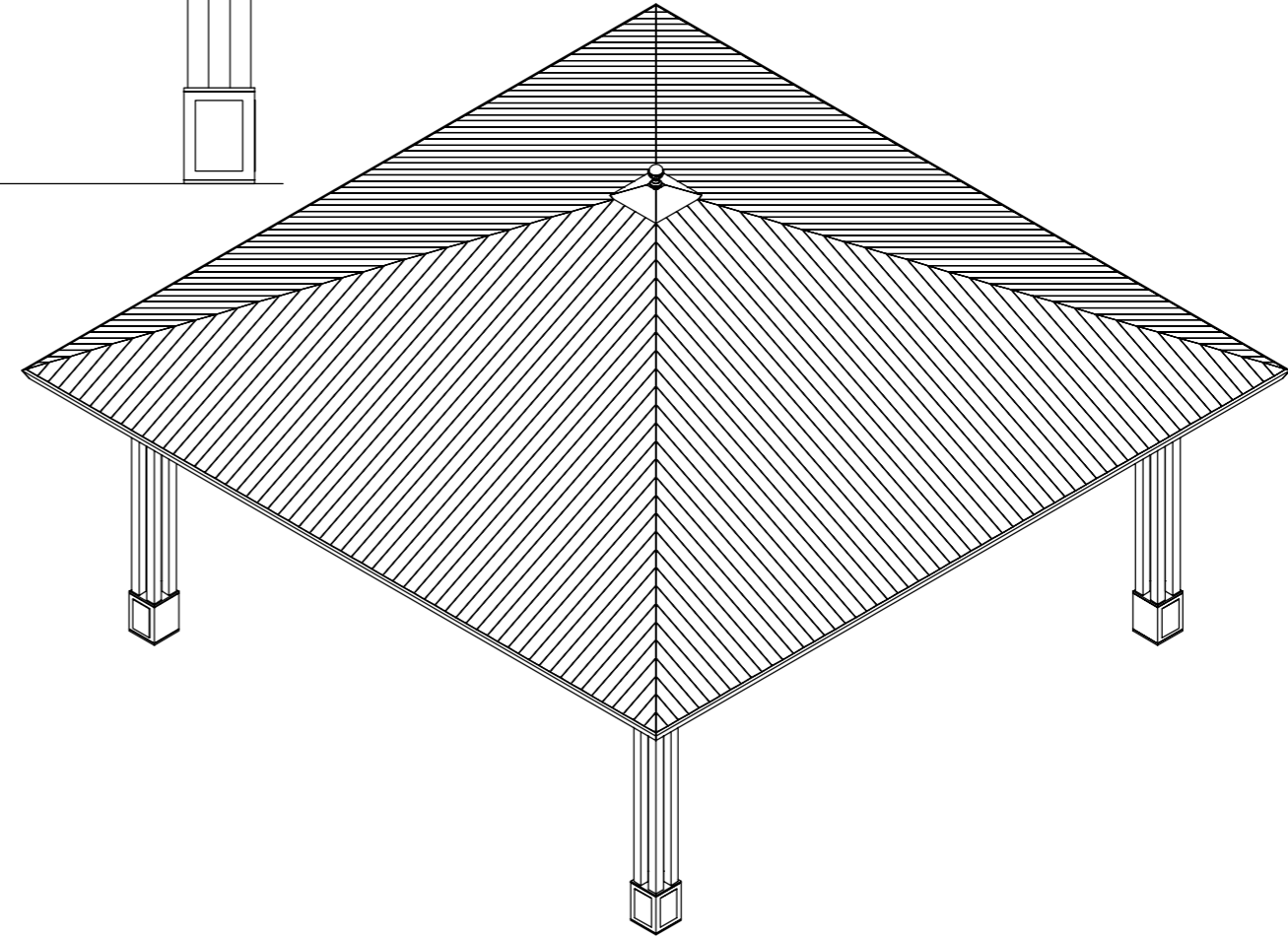


ASPHALT SHINGLES  
OVER T&G ROOFING

PRELIMINARY: NOT FOR  
CONSTRUCTION



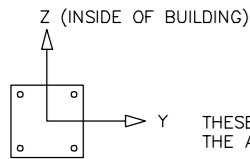
**ICON**  
Shelter Systems Inc  
DISTINCTIVE STEEL SHELTERS  
WWW.ICONSHELTERS.COM  
COPYRIGHT 2004, ICON SHELTER  
SYSTEMS, INC.  
1455 LINCOLN AVE.  
HOLLAND MI, 49423  
616.396.0919  
800.748.0985  
616.396.0944 FX

Elevation

DRAWN BY:	AP
DATE:	7/24/15
JOB NO.:	STANDARD
REVISION:	
BUILDING TYPE:	CQ25TA-P6
PROJECT NAME:	

SHEET  
1.0

DWG: \\Icon01\Company\Engineering\Standards\CQ\25\TA-P6-20-90-150\Drawings\Preliminary\CQ25TA-P6-20-90-150~35733.dwg

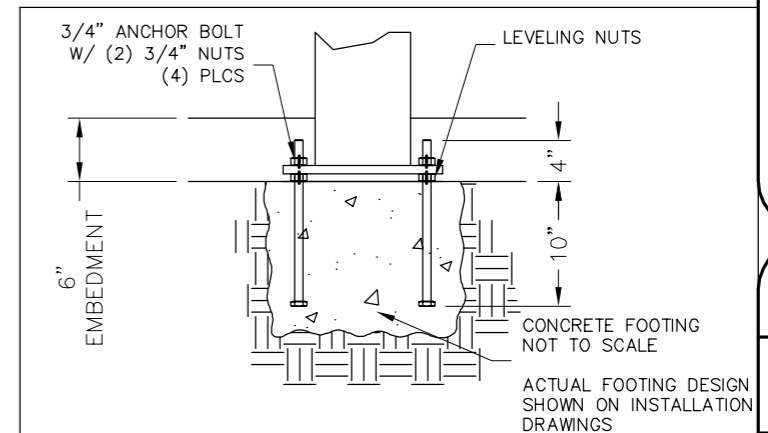
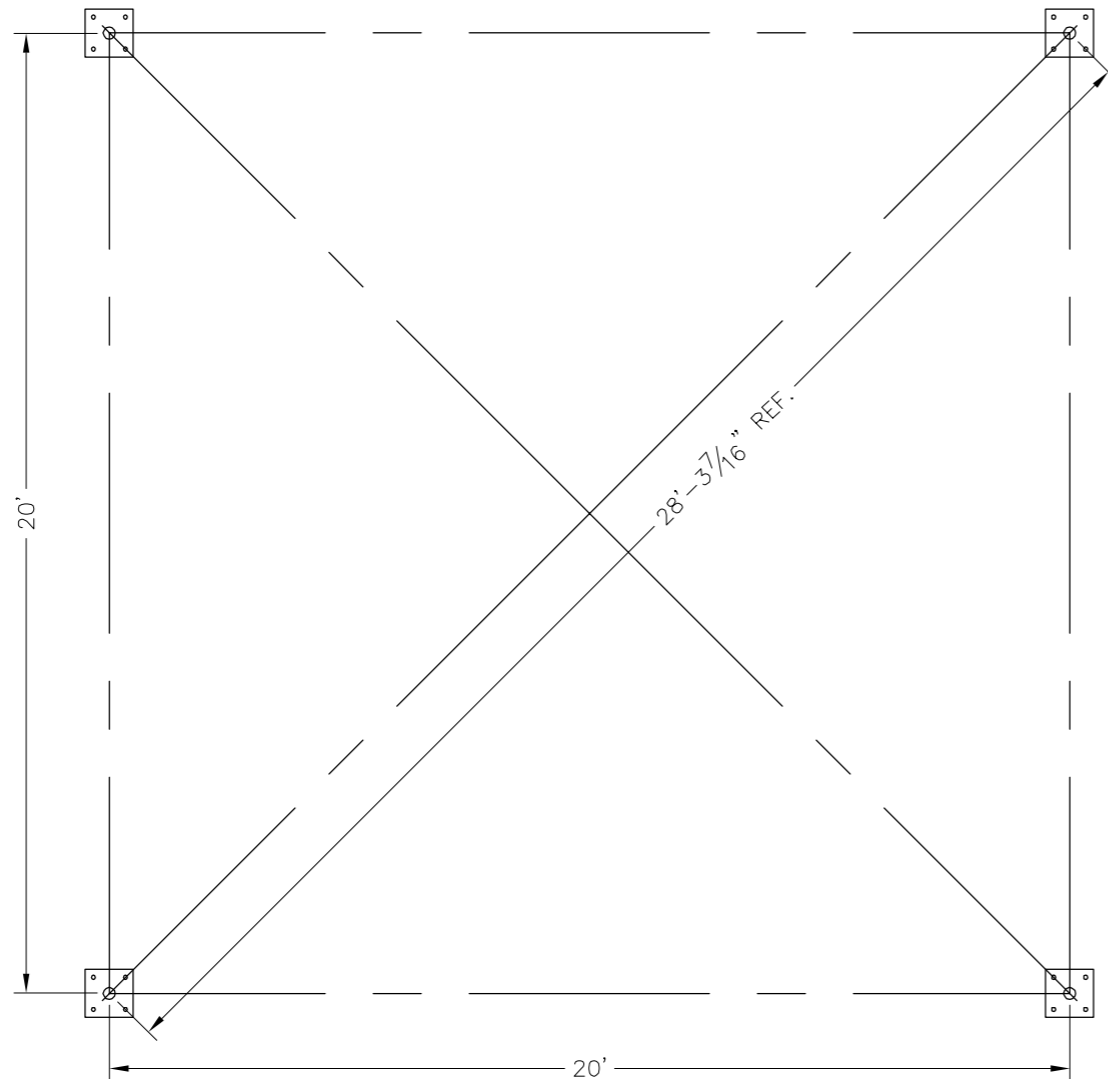


THESE FOUNDATION LOADS ARE FOR ESTIMATING PURPOSE ONLY.  
THE ACTUAL LOADS WILL BE DETERMINED IN THE FINAL ENGINEERING

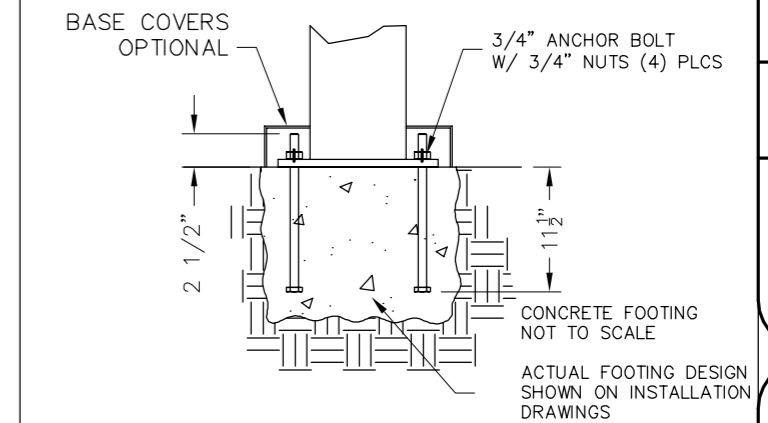
LOADS TO FOUNDATION (KIPS, IN-KIPS)	FOUNDATION LOADS				
	AXIAL (Fx)	SHEAR (Fy)	SHEAR (Fz)	MOMENT (My)	MOMENT (Mz)
DL	1.59	0.00	0.12	-4.74	0.00
SL	3.19	0.00	0.29	-12.18	0.00
W-UPLIFT	-1.58	0.22	-0.38	23.52	17.22
W-FY	-1.27	-0.22	0.11	-12.29	-16.80
W-FZ	-1.58	-0.22	-0.38	23.52	-17.22
E-FY	-0.20	-0.30	-0.32	23.21	-22.68
E-Z	-0.20	-0.30	-0.32	23.21	-22.68

- NOTES:
- TABLE SHOWS UNFACTORED SERVICE LOADS
  - A FOUNDATION DESIGN HAS NOT BEEN PERFORMED BY ICON SHELTER SYSTEMS INC.
  - A LICENSED ENGINEER FAMILIAR WITH SOIL CONDITIONS AT CONSTRUCTION SITE MUST PERFORM A FOUNDATION DESIGN.
  - THE STRUCTURE HAS BEEN ENGINEERED AS AN OPEN STRUCTURE.
  - CONSULT ICON SHELTER SYSTEMS INC. IF THE STRUCTURE IS TO BE ENCLOSED.
  - COORDINATES ARE LOCAL TO THE COLUMN

- DEFINITIONS:
- DL = SERVICE LEVEL DEAD LOAD REACTION WITH THE GREATEST AXIAL LOAD
  - SL = SERVICE LEVEL SNOW LOAD REACTION WITH THE GREATEST AXIAL LOAD
  - W-U = SERVICE LEVEL WIND LOAD REACTION WITH THE GREATEST UPLIFT LOAD
  - W-Y = SERVICE LEVEL WIND LOAD REACTION WITH THE GREATEST MAGNITUDE OF SHEAR IN THE LOCAL Y DIRECTION
  - W-Z = SERVICE LEVEL WIND LOAD REACTION WITH THE GREATEST SHEAR VALUE ACTING IN THE SAME DIRECTION AS THE DL SHEAR LOAD
  - E-Y = SERVICE LEVEL SEISMIC LOAD REACTION WITH THE GREATEST MAGNITUDE OF SHEAR IN THE LOCAL Y DIRECTION
  - E-Z = SERVICE LEVEL SEISMIC LOAD REACTION WITH THE GREATEST MAGNITUDE OF SHEAR IN THE LOCAL Z DIRECTION



PRELIMINARY DRAWINGS SHOWN AS 6" BURIED  
STANDARD BASE CONNECTION  
COLUMN TYPE: A (6" BURIED)



OPTIONAL BASE CONNECTION  
COLUMN TYPE: B (SURFACE MOUNT W/ COVERS)

PRELIMINARY: NOT FOR CONSTRUCTION

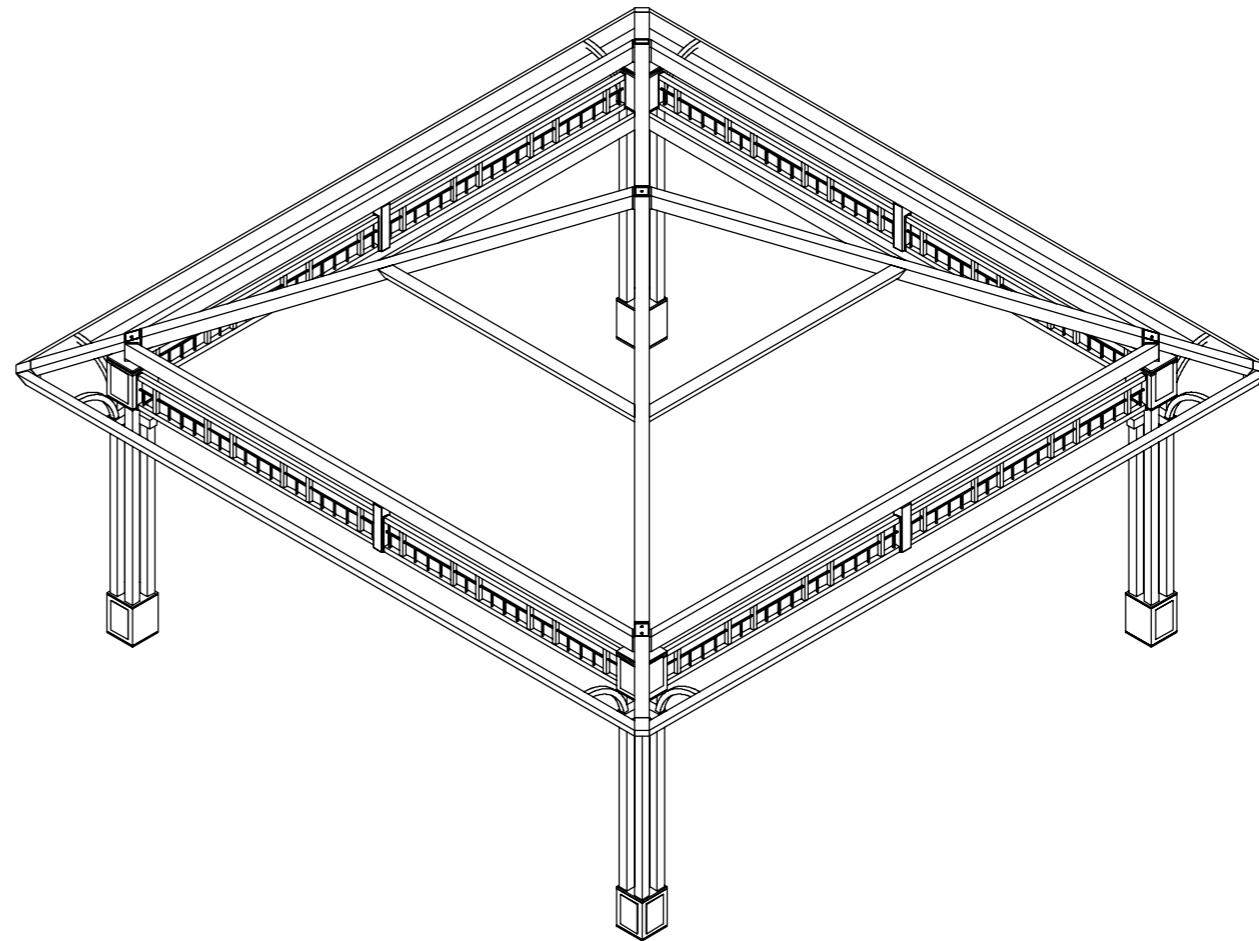
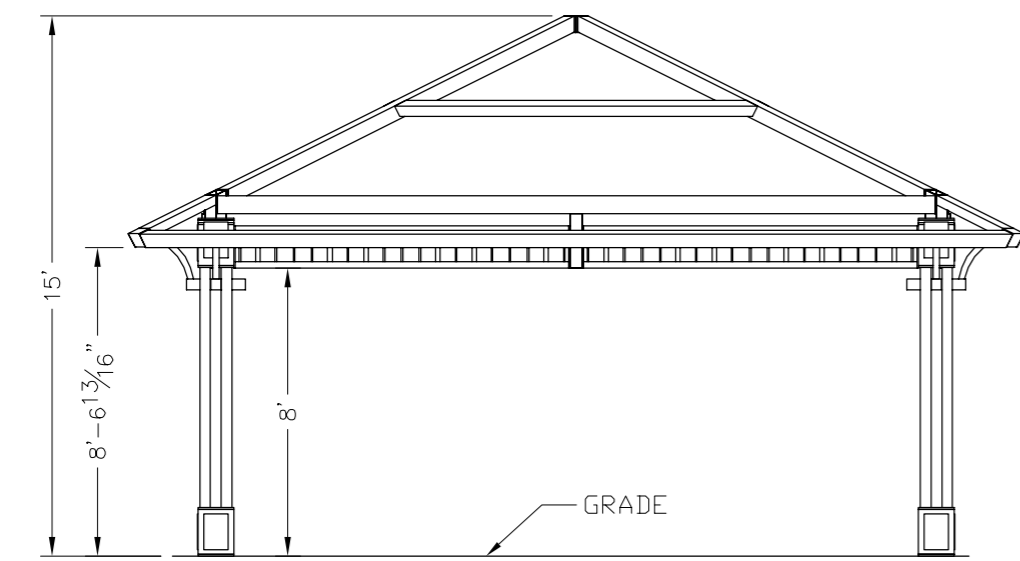
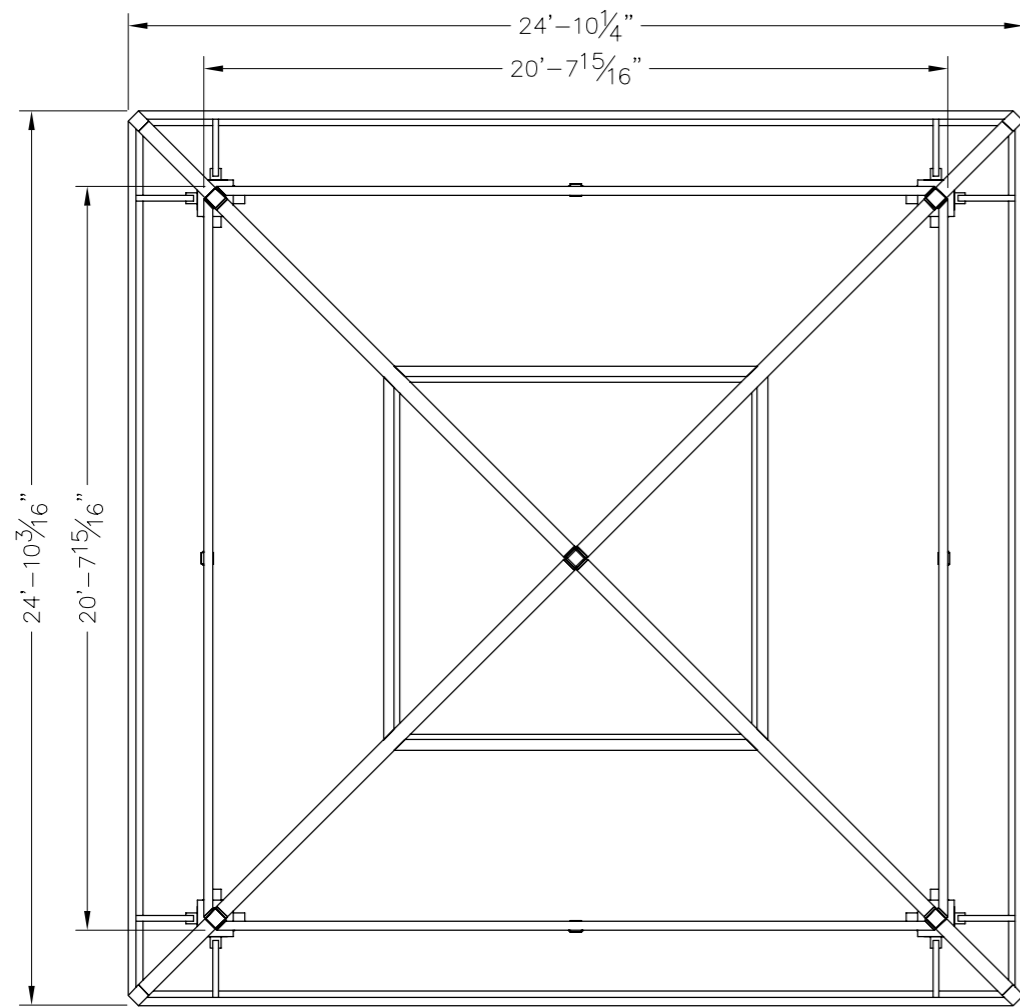
**ICON**  
Shelter Systems Inc  
DISTINCTIVE STEEL SHELTERS  
WWW.ICONSHELTERS.COM  
COPYRIGHT 2004, ICON SHELTER SYSTEMS, INC.  
1455 LINCOLN AVE.  
HOLLAND MI, 49423  
616.396.0919  
800.748.0985  
616.396.0944 FX

Anchor Bolt Layout

DRAWN BY: AP  
DATE: 7/24/15  
JOB NO.: STANDARD  
REVISION:  
BUILDING TYPE: CQ25TA-P6  
PROJECT NAME:

SHEET 2.0

DWG: \\Icon01\Company\Engineering\Standards\CQ\25\TA-P6-20-90-150\Drawings\Preliminary\CQ25TA-P6-20-90-150~35733.dwg



ALL STRUCTURAL COMPONENTS WILL BE:  
 TUBE: ASTM A500 GRADE B  
 PLATE: ASTM A36  
 BOLTS: ASTM A325  
 NUTS: ASTM A563  
 WELDING: GMAW

NOTE:  
 COLUMN SIZE: HSS 5x5x3/16

PRELIMINARY: NOT FOR  
 CONSTRUCTION

**ICON**  
 Shelter Systems Inc  
 DISTINCTIVE STEEL SHELTERS  
 WWW.ICONSHelters.COM  
 COPYRIGHT 2004, ICON SHELTER  
 SYSTEMS, INC.  
 1455 LINCOLN AVE.  
 HOLLAND MI, 49423  
 616.396.0919  
 800.748.0985  
 616.396.0944 FX

Frame

DRAWN BY:  
 AP  
 DATE:  
 7/24/15  
 JOB NO.:  
 STANDARD  
 REVISION:

BUILDING TYPE:  
 CQ25TA-P6  
 PROJECT NAME:

SHEET  
 3.0

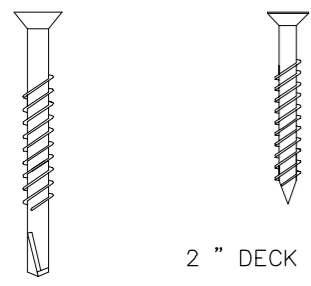
DWG: \\Icon01\Company\Engineering\Standards\CQ\25\TA-P6-20-90-150\Drawings\Preliminary\CQ25TA-P6-20-90-150~35733.dwg

Engineering\AcadStandards\Blocks\Title\ICONPRETIB  
 QF-73-01-42

PRELIMINARY: NOT FOR CONSTRUCTION

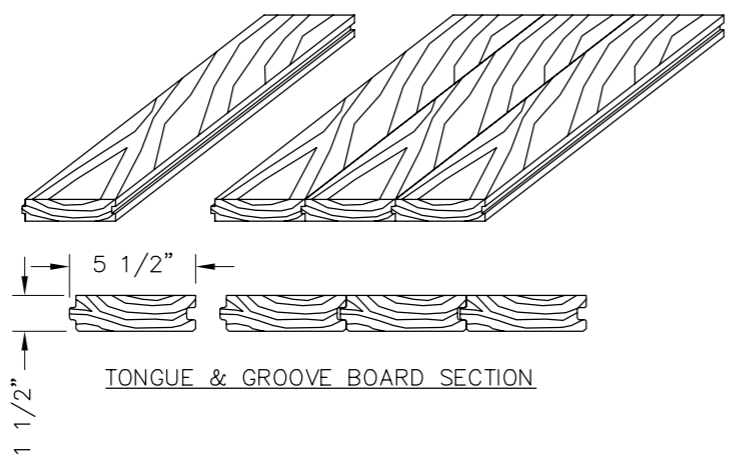
**ICON**  
 Shelter Systems Inc  
 DISTINCTIVE STEEL SHELTERS  
 WWW.ICONSHELTERS.COM  
 COPYRIGHT 2004, ICON SHELTER SYSTEMS, INC.  
 1455 LINCOLN AVE.  
 HOLLAND MI, 49423  
 616.396.0919  
 800.748.0985  
 616.396.0944 FX

FASTENERS



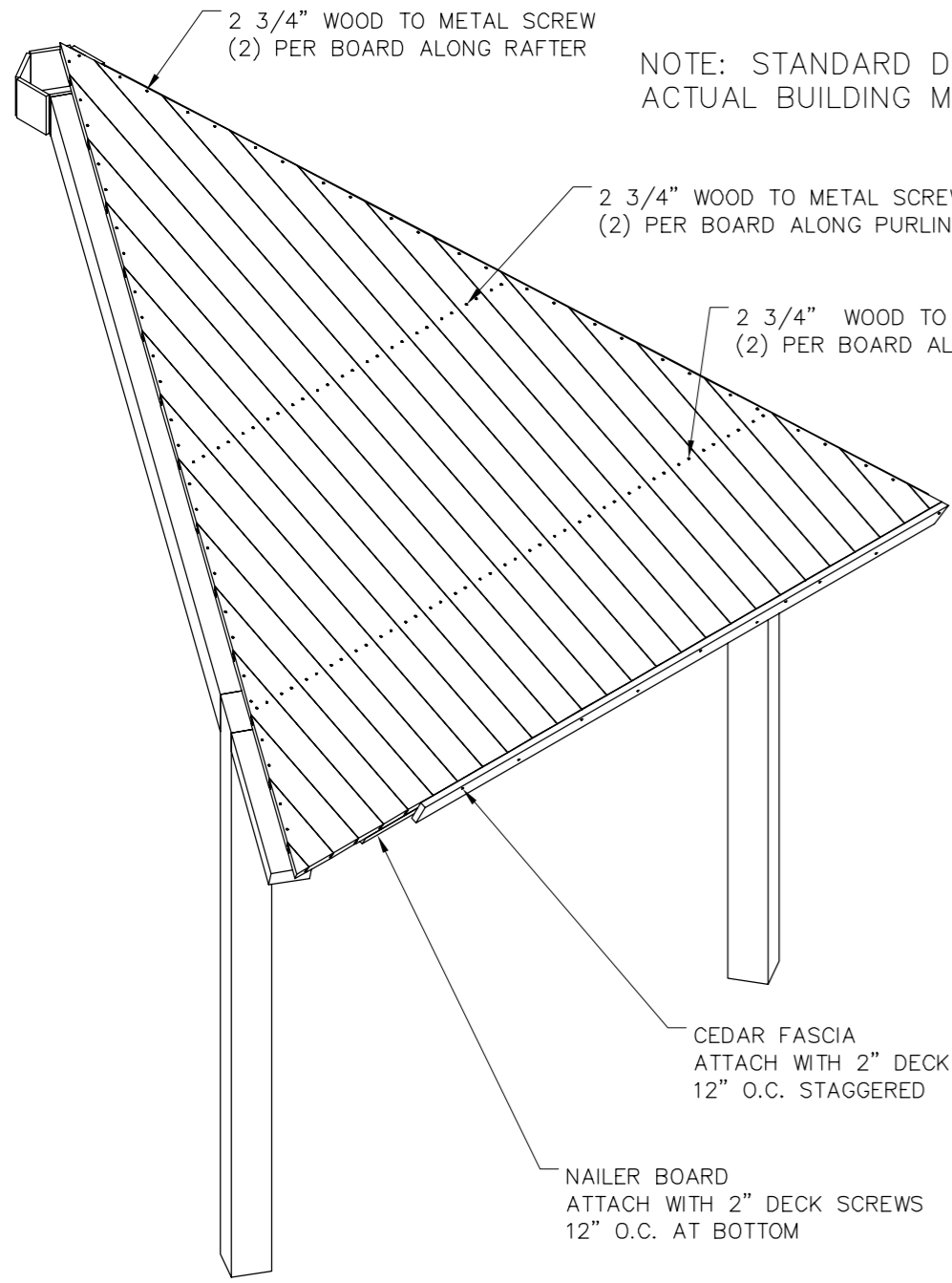
2 3/4" WOOD TO METAL SCREW

2" DECK SCREW



TONGUE & GROOVE BOARD SECTION

NOTE: STANDARD DETAILS SHOWN  
 ACTUAL BUILDING MAY VARY



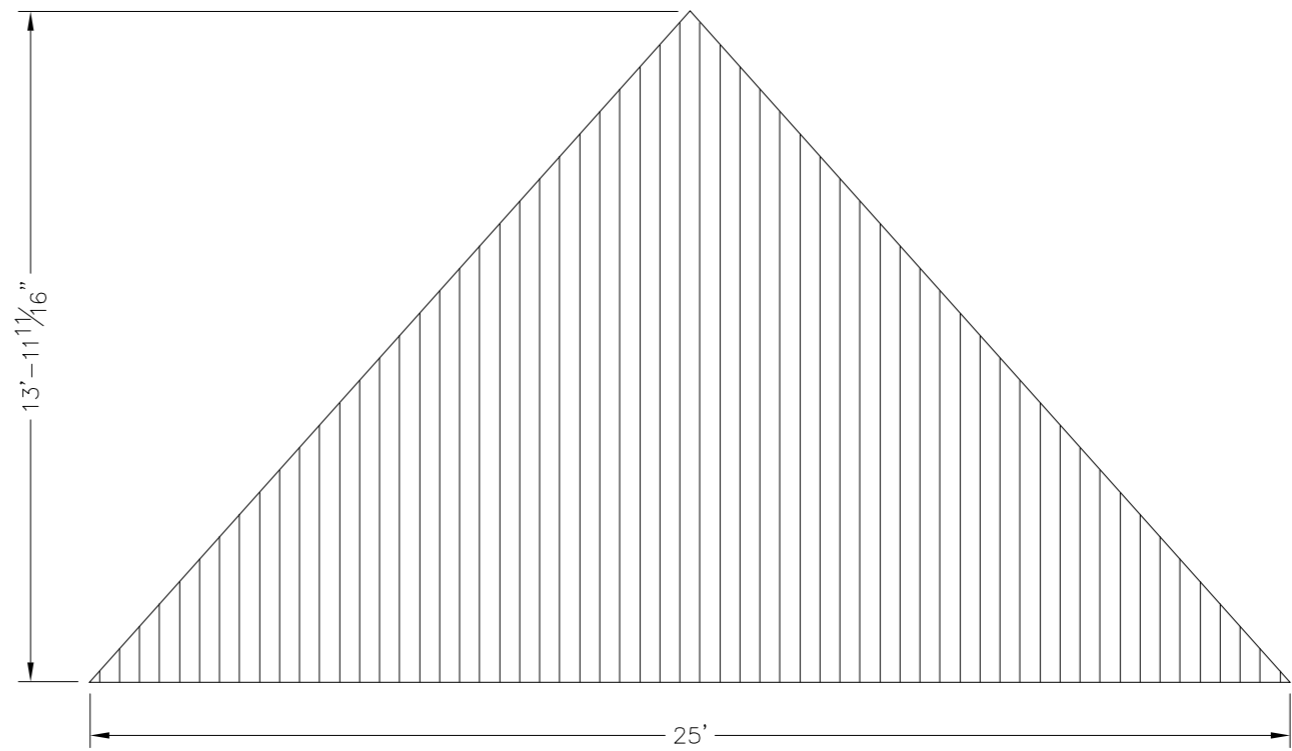
2 3/4" WOOD TO METAL SCREW  
 (2) PER BOARD ALONG RAFTER

2 3/4" WOOD TO METAL SCREW  
 (2) PER BOARD ALONG PURLIN (IF PURLIN REQ'D)

2 3/4" WOOD TO METAL SCREW  
 (2) PER BOARD ALONG TIE BEAM

CEDAR FASCIA  
 ATTACH WITH 2" DECK SCREWS  
 12" O.C. STAGGERED

NAILER BOARD  
 ATTACH WITH 2" DECK SCREWS  
 12" O.C. AT BOTTOM



Roof Layout

DRAWN BY:	AP
DATE:	7/24/15
JOB NO.:	STANDARD
REVISION:	
BUILDING TYPE:	CQ25TA-P6
PROJECT NAME:	

SHEET  
 4.0

DWG: \\Icon01\Company\Engineering\Standards\CQ\25\TA-P6-20-90-150\Drawings\Preliminary\CQ25TA-P6-20-90-150~35733.dwg