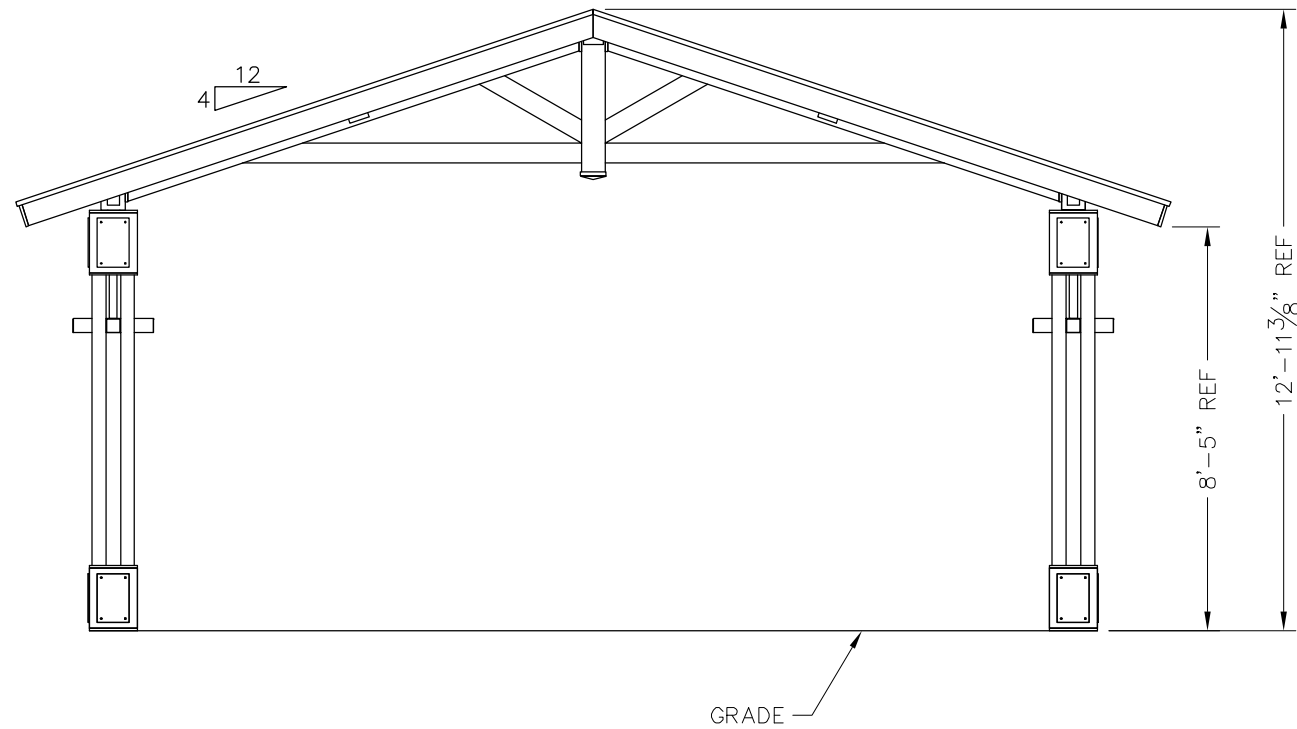




PRELIMINARY: NOT FOR CONSTRUCTION



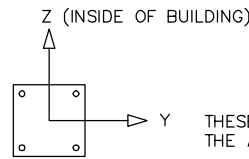
**ICON**  
 Shelter Systems Inc  
 DISTINCTIVE STEEL SHELTERS  
 WWW.ICONSHELTERS.COM  
 COPYRIGHT 2004, ICON SHELTER SYSTEMS, INC.  
 1455 LINCOLN AVE.  
 HOLLAND MI, 49423  
 616.396.0919  
 800.748.0985  
 616.396.0944 FX

Elevation

DRAWN BY:	LB
DATE:	10/6/14
JOB NO.:	STANDARD
REVISION:	
BUILDING TYPE:	CG24x44TM-P4
PROJECT NAME:	-20-100-40 CC1-12 COLUMN GABLE END ORN OPEN PANE ORN

SHEET  
 1.0

DWG: \\icon01\Company\Engineering\Standards\Shelters\CG\24X44\TM-P4-20-100-40\Drawings\Preliminary\CG24x44-9TM-P4-20-100-40~2925F

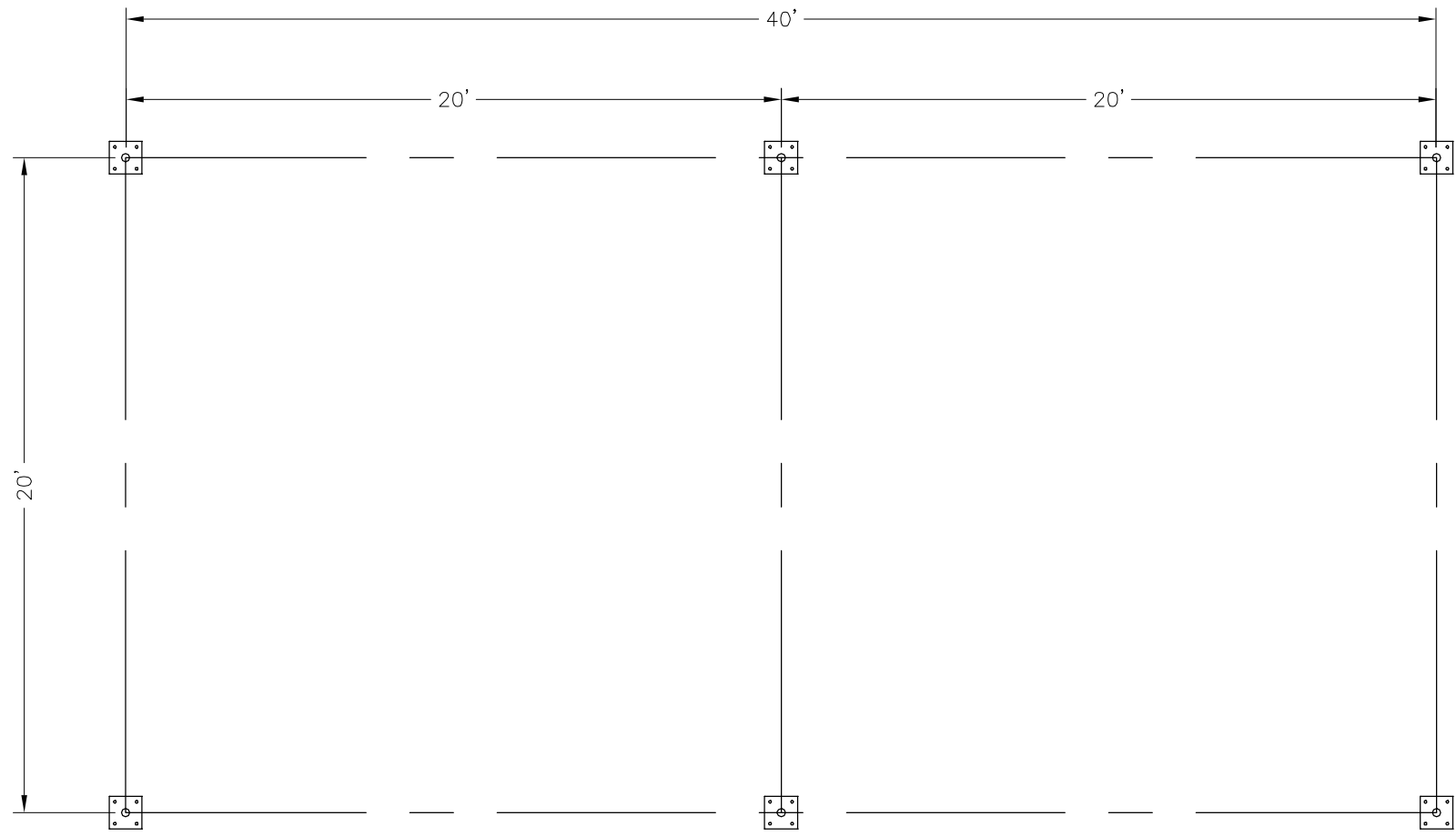


THESE FOUNDATION LOADS ARE FOR ESTIMATING PURPOSE ONLY.  
THE ACTUAL LOADS WILL BE DETERMINED IN THE FINAL ENGINEERING

- NOTES:**
- TABLE SHOWS UNFACTORED SERVICE LOADS
  - A FOUNDATION DESIGN HAS NOT BEEN PERFORMED BY ICON SHELTER SYSTEMS INC.
  - A LICENSED ENGINEER FAMILIAR WITH SOIL CONDITIONS AT CONSTRUCTION SITE MUST PERFORM A FOUNDATION DESIGN.
  - THE STRUCTURE HAS BEEN ENGINEERED AS AN OPEN STRUCTURE.
  - CONSULT ICON SHELTER SYSTEMS INC. IF THE STRUCTURE IS TO BE ENCLOSED.
  - COORDINATES ARE LOCAL TO THE COLUMN

- DEFINITIONS:**
- DL = SERVICE LEVEL DEAD LOAD REACTION WITH THE GREATEST AXIAL LOAD
  - SL = SERVICE LEVEL SNOW LOAD REACTION WITH THE GREATEST AXIAL LOAD
  - W-UL = SERVICE LEVEL WIND LOAD REACTION WITH THE GREATEST UPLIFT LOAD
  - W-Y = SERVICE LEVEL WIND LOAD REACTION WITH THE GREATEST MAGNITUDE OF SHEAR IN THE LOCAL Y DIRECTION
  - W-Z = SERVICE LEVEL WIND LOAD REACTION WITH THE GREATEST SHEAR VALUE ACTING IN THE SAME DIRECTION AS THE DL SHEAR LOAD
  - E-Y = SERVICE LEVEL SEISMIC LOAD REACTION WITH THE GREATEST MAGNITUDE OF SHEAR IN THE LOCAL Y DIRECTION
  - E-Z = SERVICE LEVEL SEISMIC LOAD REACTION WITH THE GREATEST MAGNITUDE OF SHEAR IN THE LOCAL Z DIRECTION

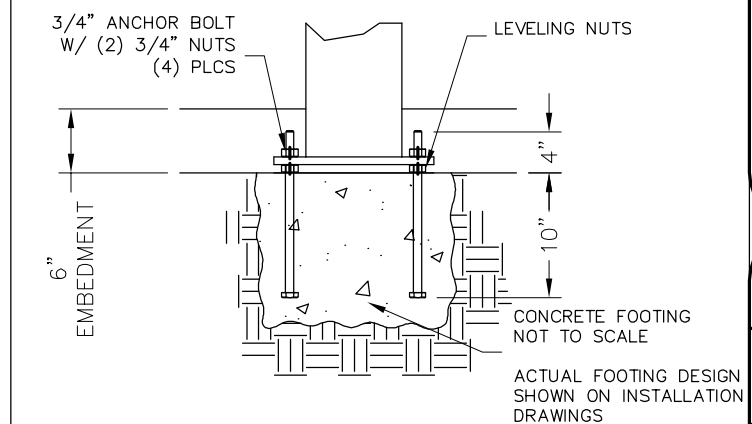
LOADS TO FOUNDATION (KIPS, IN-KIPS)	FOUNDATION LOADS				
	AXIAL (Fx)	SHEAR (Fy)	SHEAR (Fz)	MOMENT (My)	MOMENT (Mz)
DL	2.40	0.00	0.62	-29.72	0.00
SL	5.08	0.00	1.31	-63.00	0.00
W-UPLIFT	-3.20	0.75	-0.74	35.18	55.23
W-FY	2.09	-0.81	0.08	-3.41	-57.65
W-FZ	0.70	0.00	1.19	-77.07	0.00
E-FY	0.00	-0.27	0.00	0.00	-20.27
E-Z	-0.16	0.00	-0.28	19.74	0.00



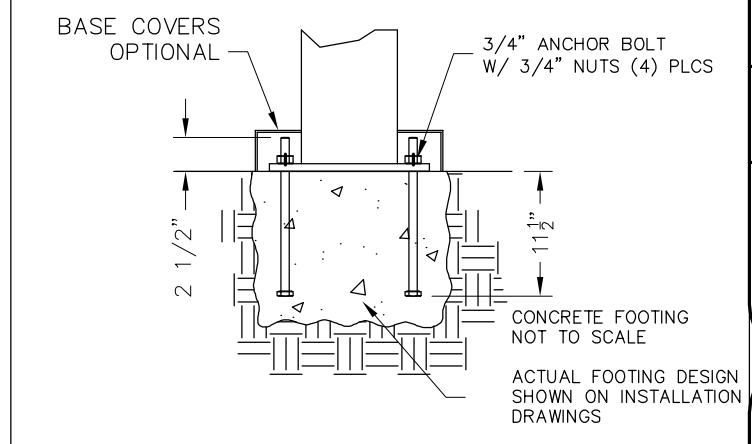
PRELIMINARY: NOT FOR CONSTRUCTION

**ICON**  
Shelter Systems Inc  
DISTINCTIVE STEEL SHELTERS  
WWW.ICONSHELTERS.COM  
COPYRIGHT 2004, ICON SHELTER SYSTEMS, INC.  
1455 LINCOLN AVE.  
HOLLAND MI, 49423  
616.396.0919  
800.748.0985  
616.396.0944 FX

Anchor Bolt Layout



PRELIMINARY DRAWINGS SHOWN AS 6" BURIED  
STANDARD BASE CONNECTION  
COLUMN TYPE: A (6" BURIED)



OPTIONAL BASE CONNECTION  
COLUMN TYPE: B (SURFACE MOUNT W/ COVERS)

DRAWN BY: \_\_\_\_\_  
LB

DATE: \_\_\_\_\_  
10/6/14

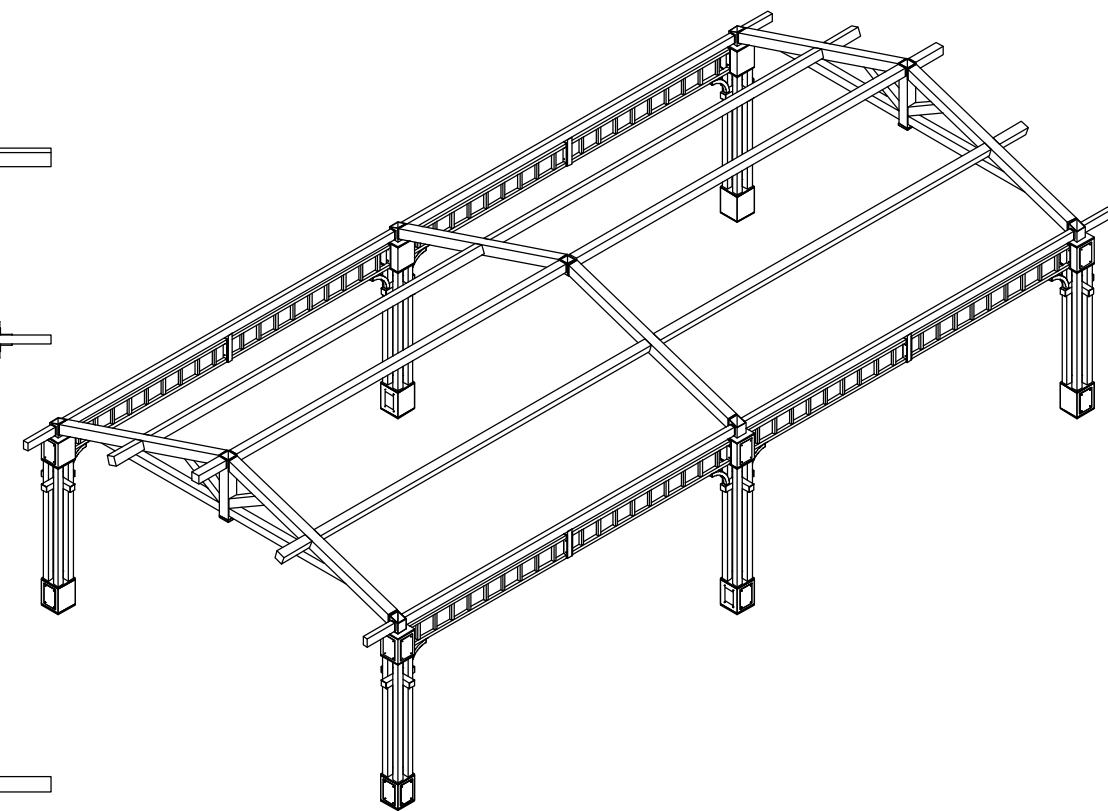
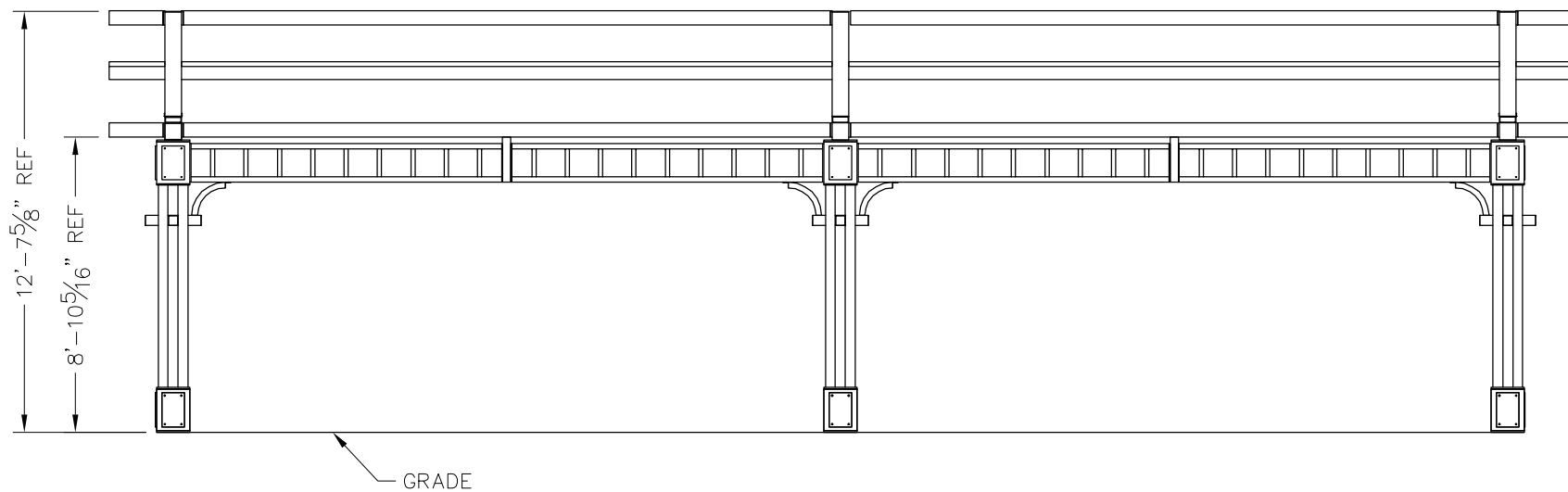
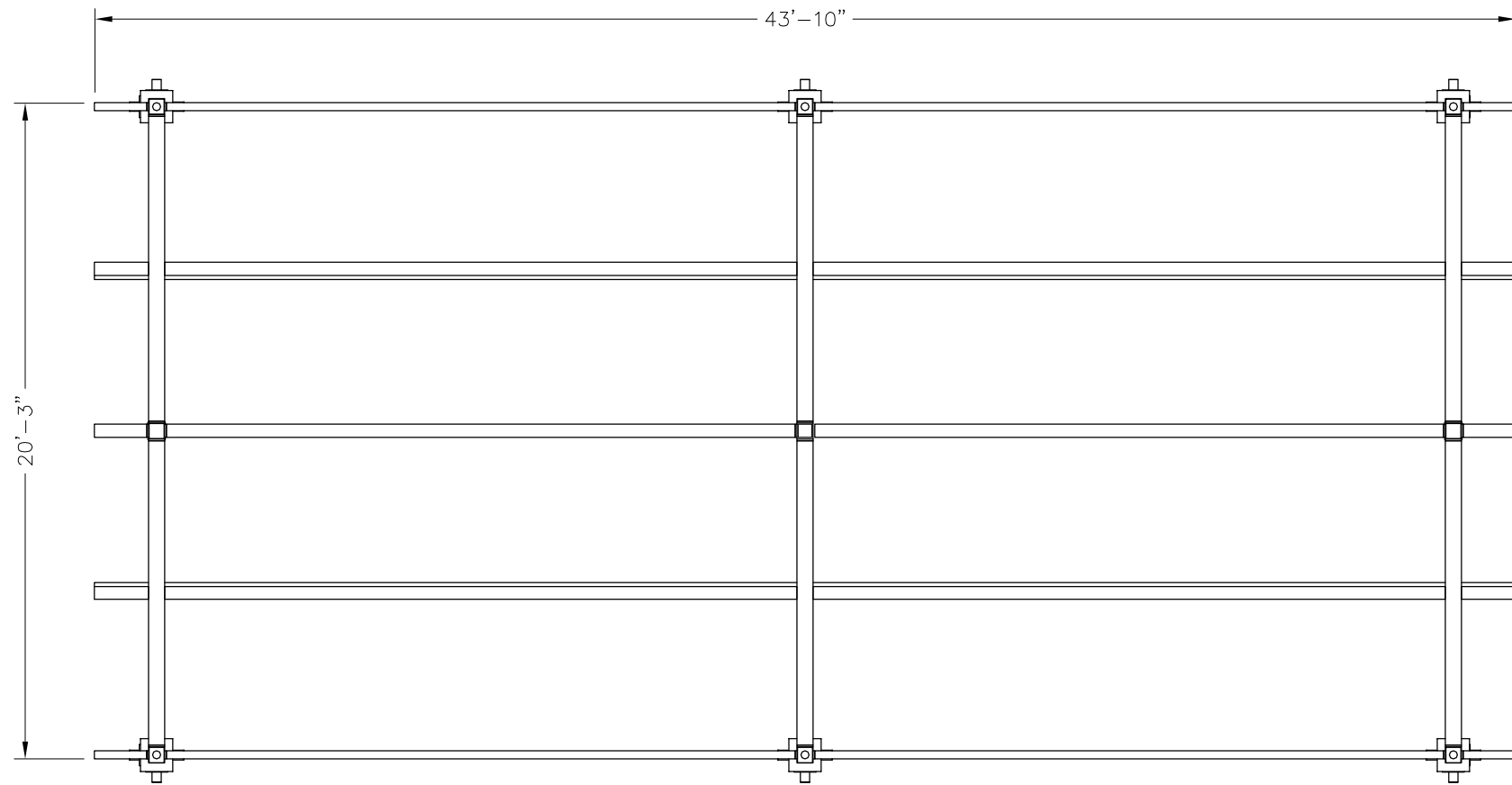
JOB NO.: \_\_\_\_\_  
STANDARD

REVISION: \_\_\_\_\_

BUILDING TYPE: \_\_\_\_\_  
CG24x44TM-P4

PROJECT NAME: \_\_\_\_\_  
-20-100-40  
CC1-12 COLUMN  
GABLE END ORN  
OPEN PANE ORN

SHEET  
**2.0**



PRELIMINARY: NOT FOR CONSTRUCTION

**ICON**  
 Shelter Systems Inc  
 DISTINCTIVE STEEL SHELTERS  
 WWW.ICONSHELTERS.COM  
 COPYRIGHT 2004, ICON SHELTER SYSTEMS, INC.  
 1455 LINCOLN AVE.  
 HOLLAND MI, 49423  
 616.396.0919  
 800.748.0985  
 616.396.0944 FX

Frame

DRAWN BY:	LB
DATE:	10/6/14
JOB NO.:	STANDARD
REVISION:	

BUILDING TYPE:	CG24x44TM-P4
PROJECT NAME:	-20-100-40 CC1-12 COLUMN GABLE END ORN OPEN PANE ORN

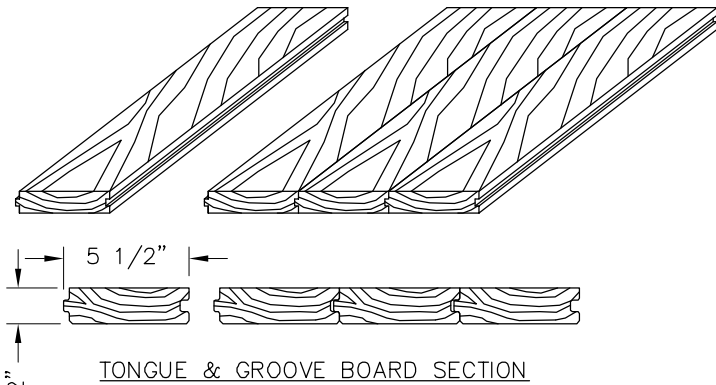
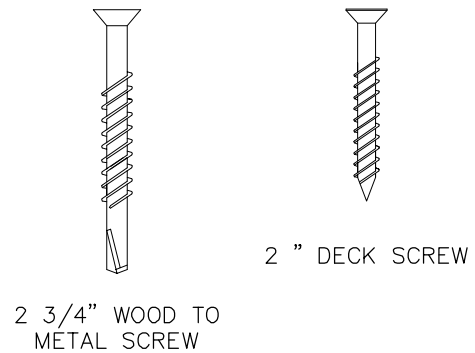
ALL STRUCTURAL COMPONENTS WILL BE:  
 TUBE: ASTM A500 GRADE B  
 PLATE: ASTM A36  
 BOLTS: ASTM A325  
 NUTS: ASTM A563  
 WELDING: GMAW

NOTE:  
 COLUMN SIZE: (4) HSS 3.5x3.5x1/8

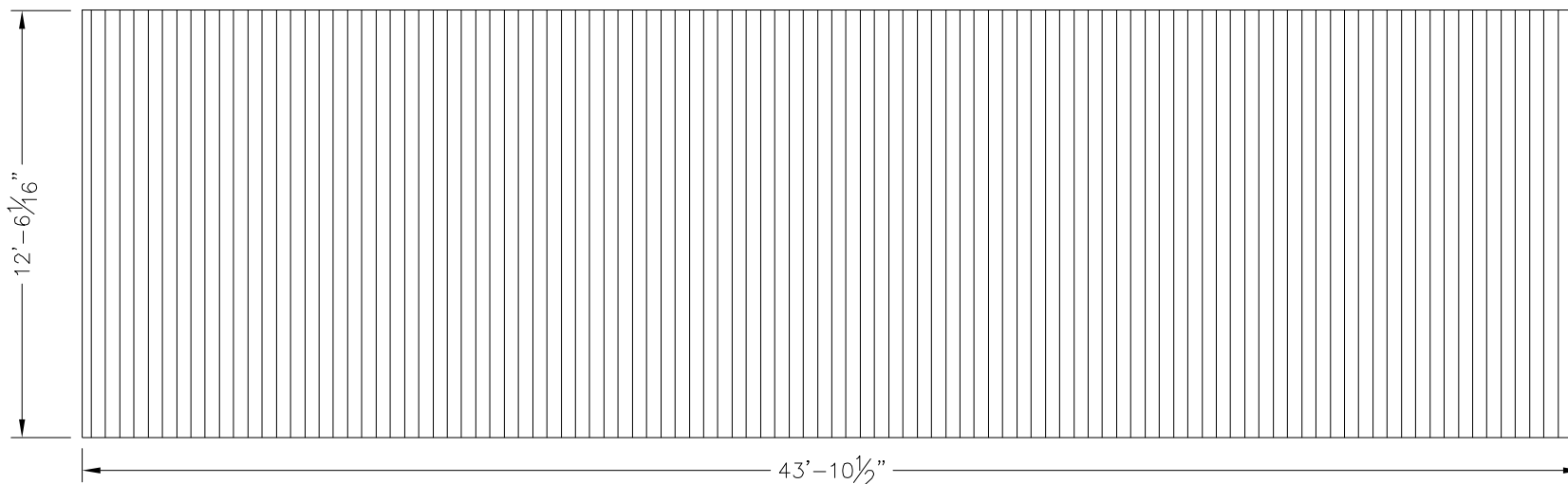
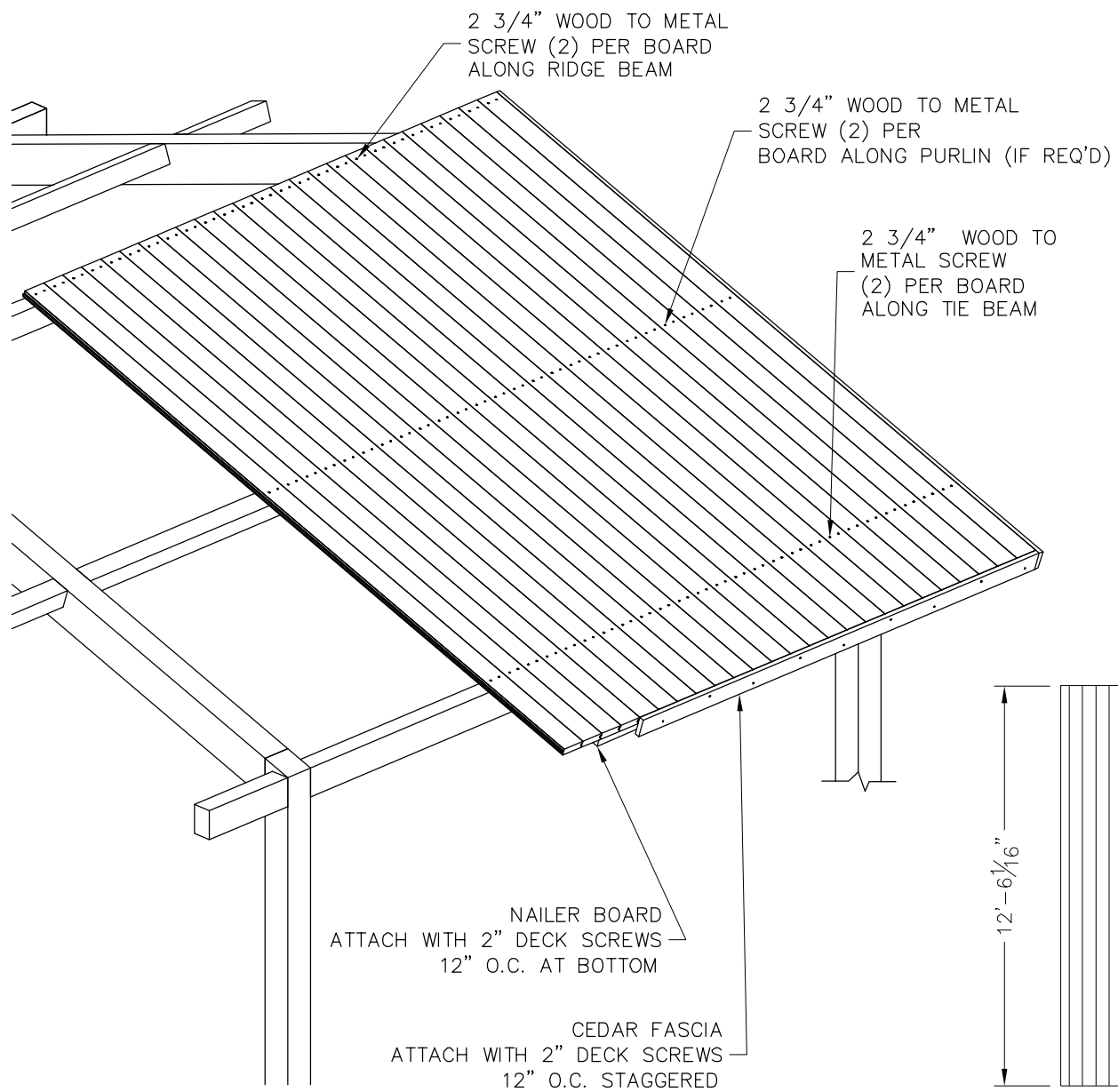
SHEET  
 3.0

DWG: \\icon01\Company\Engineering\Standards\Shelters\CG\24X44\TM-P4-20-100-40\Drawings\Preliminary\CG24x44-9TM-P4-20-100-40~2925F

FASTENERS



NOTE: STANDARD DETAILS SHOWN  
ACTUAL BUILDING MAY VARY



PRELIMINARY: NOT FOR CONSTRUCTION

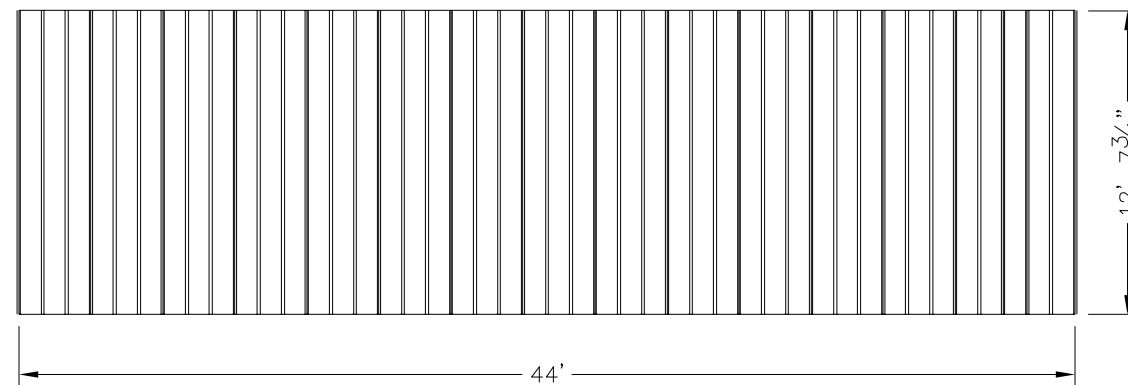
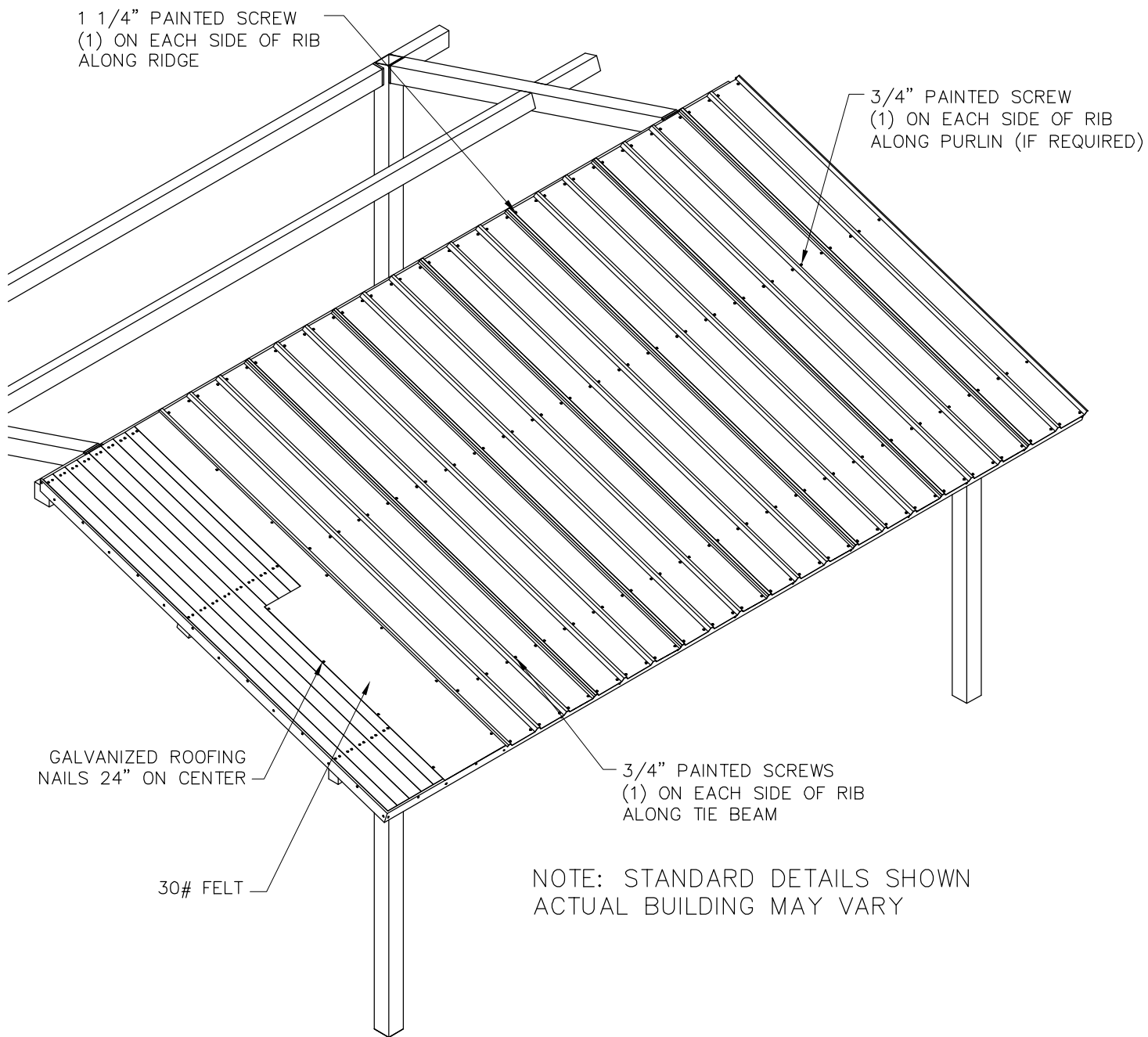
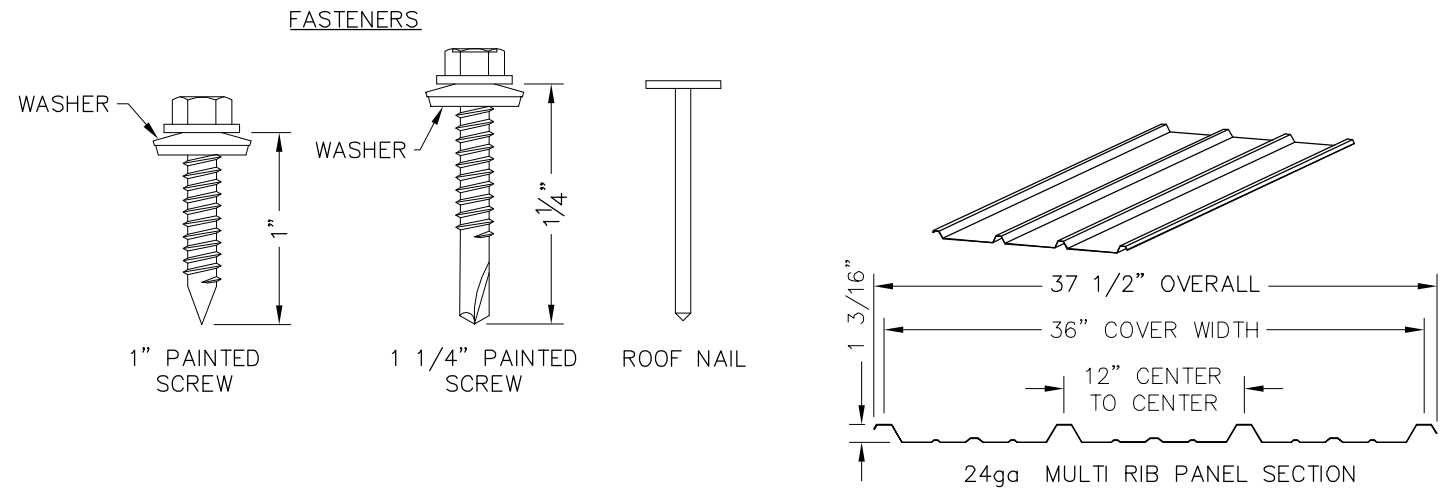
**ICON**  
Shelter Systems Inc  
DISTINCTIVE STEEL SHELTERS  
WWW.ICONSHelters.COM  
COPYRIGHT 2004, ICON SHELTER SYSTEMS, INC.  
1455 LINCOLN AVE.  
HOLLAND MI, 49423  
616.396.0919  
800.748.0985  
616.396.0944 FX

Roof Layout

DRAWN BY:	LB
DATE:	10/6/14
JOB NO.:	STANDARD
REVISION:	
BUILDING TYPE:	CG24x44TM-P4
PROJECT NAME:	-20-100-40 CC1-12 COLUMN GABLE END ORN OPEN PANE ORN

SHEET  
4.0

DWG: \\icon01\Company\Engineering\Standards\Shelters\CG\24X44\TM-P4-20-100-40\Drawings\Preliminary\CG24x44-9TM-P4-20-100-40-2925F



PRELIMINARY: NOT FOR CONSTRUCTION

**ICON**  
Shelter Systems Inc  
DISTINCTIVE STEEL SHELTERS  
WWW.ICONSHELTERS.COM  
COPYRIGHT 2004, ICON SHELTER SYSTEMS, INC.  
1455 LINCOLN AVE.  
HOLLAND MI, 49423  
616.396.0919  
800.748.0985  
616.396.0944 FX

Roof Layout

DRAWN BY:	LB
DATE:	10/6/14
JOB NO.:	STANDARD
REVISION:	
BUILDING TYPE:	CG24x44TM-P4
PROJECT NAME:	-20-100-40 CC1-12 COLUMN GABLE END ORN OPEN PANE ORN

DWG: \\Icon01\Company\Engineering\Standards\CG\24X44\TM-P4-20-100-40\Drawings\Preliminary\CG24x44-9TM-P4-20-100-40~2925F