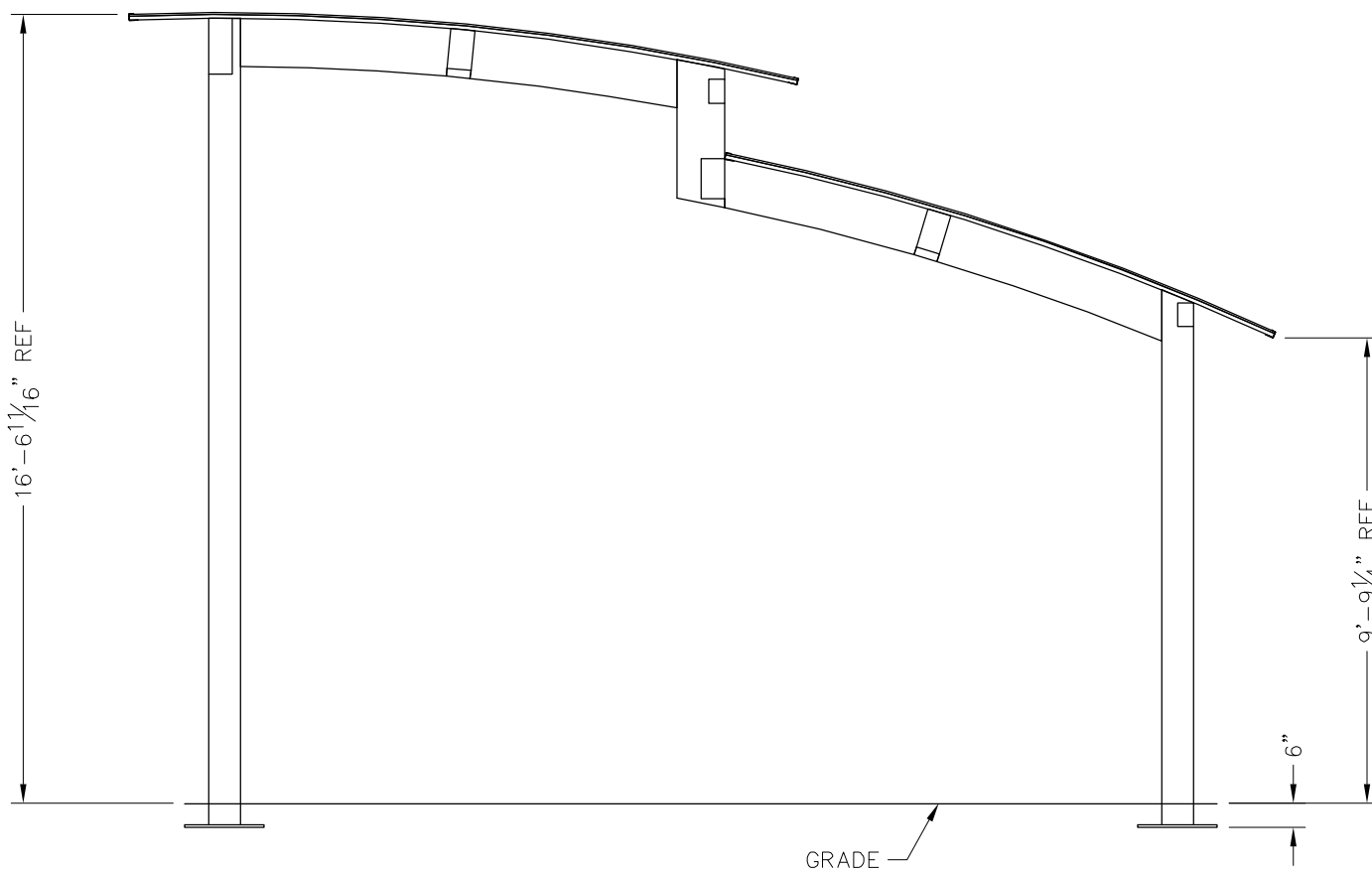


PRELIMINARY: NOT FOR  
CONSTRUCTION



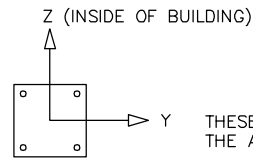
**ICON**  
Shelter Systems Inc  
DISTINCTIVE STEEL SHELTERS  
WWW.ICONSHELTERS.COM  
COPYRIGHT 2004, ICON SHELTER SYSTEMS, INC.  
1455 LINCOLN AVE.  
HOLLAND MI, 49423  
616.396.0919  
800.748.0985  
616.396.0944 FX

Elevation

DRAWN BY:	LB
DATE:	4/30/14
JOB NO.:	STANDARD
REVISION:	
BUILDING TYPE:	BV24X50G2C-P5
PROJECT NAME:	-20-90-30 CUSTOM

SHEET  
1.0

DWG: \\Icon01\Company\Engineering\Standards\BV\_24X50\G2C-P5-20-90-30\Drawings\Preliminary\BV24x50-10G2C-P5-20-90-30~27734.DWG



THESE FOUNDATION LOADS ARE FOR ESTIMATING PURPOSE ONLY.  
THE ACTUAL LOADS WILL BE DETERMINED IN THE FINAL ENGINEERING

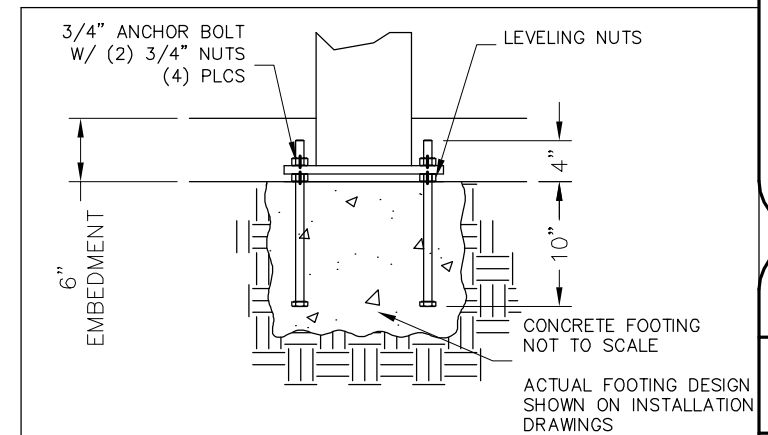
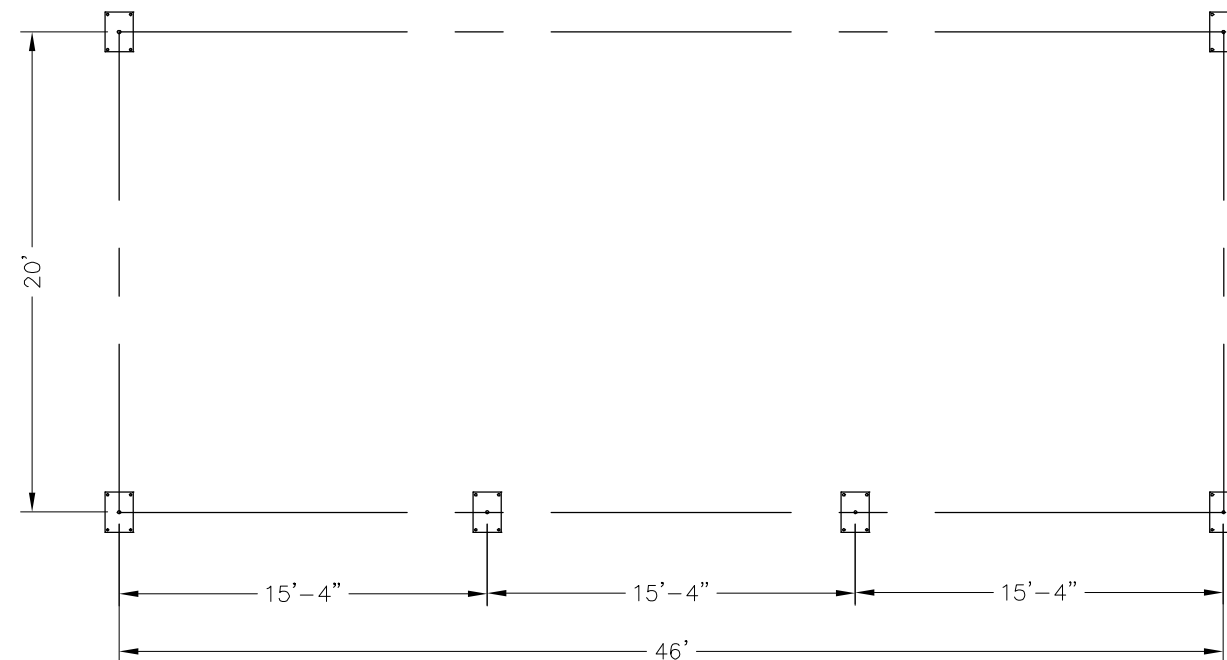
- NOTES:**
- TABLE SHOWS UNFACTORED SERVICE LOADS
  - A FOUNDATION DESIGN HAS NOT BEEN PERFORMED BY ICON SHELTER SYSTEMS INC.
  - A LICENSED ENGINEER FAMILIAR WITH SOIL CONDITIONS AT CONSTRUCTION SITE MUST PERFORM A FOUNDATION DESIGN.
  - THE STRUCTURE HAS BEEN ENGINEERED AS AN OPEN STRUCTURE.
  - CONSULT ICON SHELTER SYSTEMS INC. IF THE STRUCTURE IS TO BE ENCLOSED.
  - COORDINATES ARE LOCAL TO THE COLUMN

- DEFINITIONS:**
- DL = SERVICE LEVEL DEAD LOAD REACTION WITH THE GREATEST AXIAL LOAD
  - SL = SERVICE LEVEL SNOW LOAD REACTION WITH THE GREATEST AXIAL LOAD
  - W-UL = SERVICE LEVEL WIND LOAD REACTION WITH THE GREATEST UPLIFT LOAD
  - W-Y = SERVICE LEVEL WIND LOAD REACTION WITH THE GREATEST MAGNITUDE OF SHEAR IN THE LOCAL Y DIRECTION
  - W-Z = SERVICE LEVEL WIND LOAD REACTION WITH THE GREATEST SHEAR VALUE ACTING IN THE SAME DIRECTION AS THE DL SHEAR LOAD
  - E-Y = SERVICE LEVEL SEISMIC LOAD REACTION WITH THE GREATEST MAGNITUDE OF SHEAR IN THE LOCAL Y DIRECTION
  - E-Z = SERVICE LEVEL SEISMIC LOAD REACTION WITH THE GREATEST MAGNITUDE OF SHEAR IN THE LOCAL Z DIRECTION

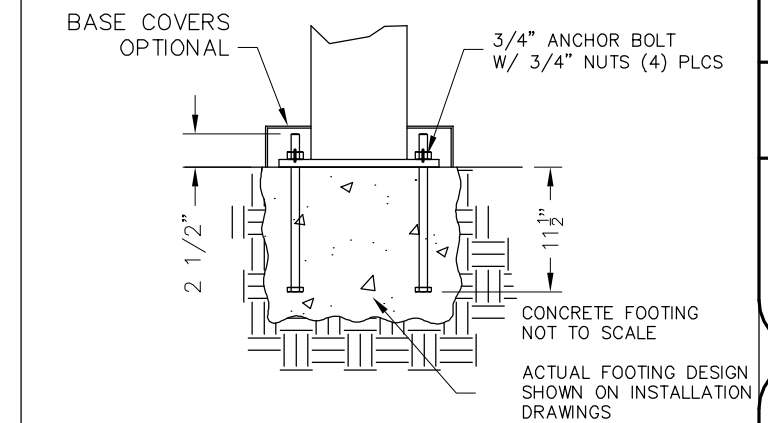
LOADS TO FOUNDATION (KIPS, IN-KIPS)	FOUNDATION LOADS				
	AXIAL (Fx)	SHEAR (Fy)	SHEAR (Fz)	MOMENT (My)	MOMENT (Mz)
DL	1.49	-0.17	-0.09	19.01	-7.26
SL	2.21	-0.41	-0.27	39.27	-17.85
W-UPLIFT	-1.24	0.54	0.20	-24.99	36.65
W-FY	-1.24	0.54	0.20	-24.99	36.65
W-FZ	0.82	0.11	-0.43	40.85	18.06
E-FY	-0.45	0.67	-0.26	18.27	57.75
E-Z	-0.43	0.04	-0.80	60.17	1.88

LOADS TO FOUNDATION (KIPS, IN-KIPS)	FOUNDATION LOADS				
	AXIAL (Fx)	SHEAR (Fy)	SHEAR (Fz)	MOMENT (My)	MOMENT (Mz)
DL	3.94	0.58	0.47	-40.11	36.86
SL	6.43	1.12	0.83	-70.46	72.35
W-UPLIFT	-3.40	-0.86	-0.46	39.48	-67.10
W-FY	3.40	-0.86	0.46	-39.48	-67.10
W-FZ	-3.20	0.28	-0.51	45.57	6.32
E-FY	0.19	-0.62	-0.07	7.40	-65.31
E-Z	0.80	0.09	0.40	-38.22	5.91

LOADS TO FOUNDATION (KIPS, IN-KIPS)	FOUNDATION LOADS				
	AXIAL (Fx)	SHEAR (Fy)	SHEAR (Fz)	MOMENT (My)	MOMENT (Mz)
DL	2.46	-0.04	0.58	-10.92	-2.00
SL	4.62	0.08	1.10	-22.26	3.69
W-UPLIFT	-2.27	0.33	-0.34	-5.92	27.51
W-FY	-2.26	0.41	-0.35	-4.35	31.29
W-FZ	-0.89	-0.03	-0.49	16.49	-1.55
E-FY	0.01	0.78	-0.02	1.97	62.27
E-Z	-0.37	0.02	-0.88	70.98	0.79



PRELIMINARY DRAWINGS SHOWN AS 6" BURIED  
STANDARD BASE CONNECTION  
COLUMN TYPE: A (6" BURIED)



OPTIONAL BASE CONNECTION  
COLUMN TYPE: B (SURFACE MOUNT W/ COVERS)

PRELIMINARY: NOT FOR CONSTRUCTION

**ICON**  
Shelter Systems Inc  
DISTINCTIVE STEEL SHELTERS  
WWW.ICONSHELTERS.COM  
COPYRIGHT 2004, ICON SHELTER SYSTEMS, INC.  
1455 LINCOLN AVE.  
HOLLAND MI, 49423  
616.396.0919  
800.748.0985  
616.396.0944 FX

Anchor Bolt Layout

DRAWN BY:  
LB

DATE:  
4/30/14

JOB NO.:  
STANDARD

REVISION:

BUILDING TYPE:  
BV24X50G2C-P5

PROJECT NAME:  
-20-90-30  
CUSTOM

SHEET  
2.0

DWG: \\Icon01\Company\Engineering\Standards\BV 24X50\G2C-P5-20-90-30\Drawings\Preliminary\BV24x50-10G2C-P5-20-90-30~27734.DWG

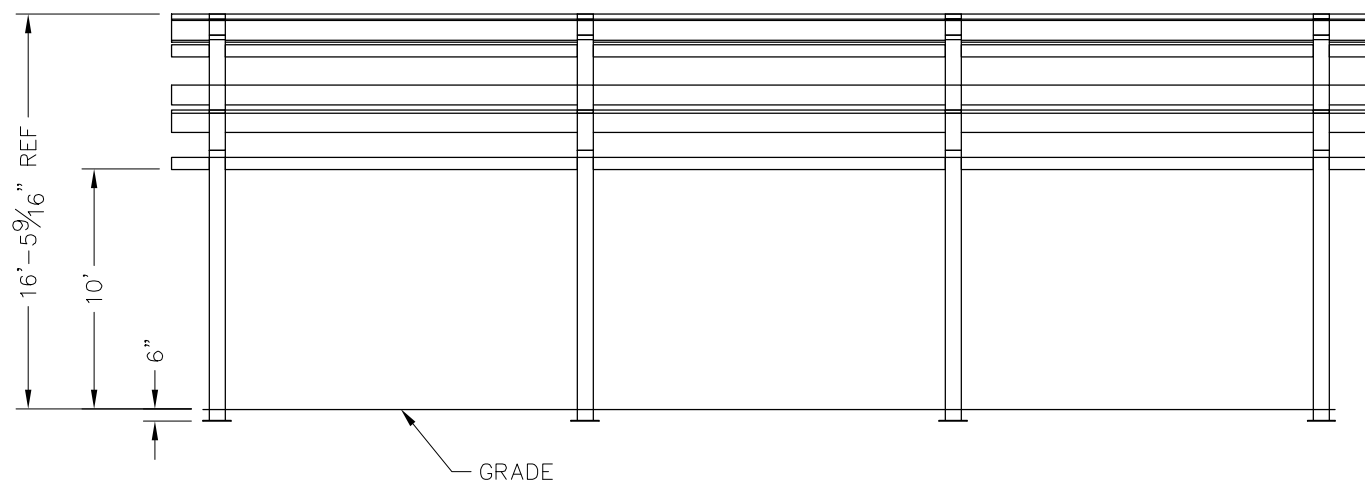
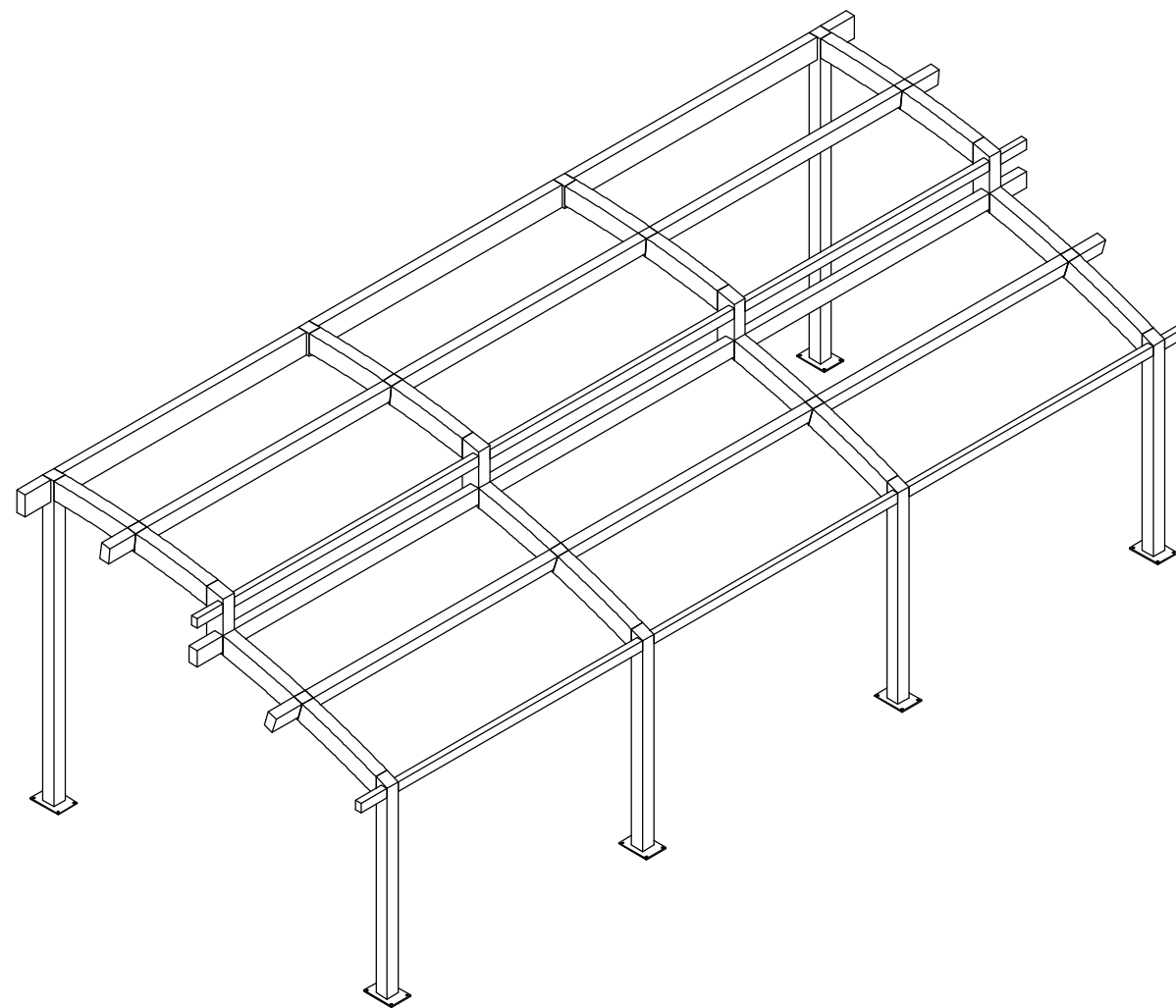
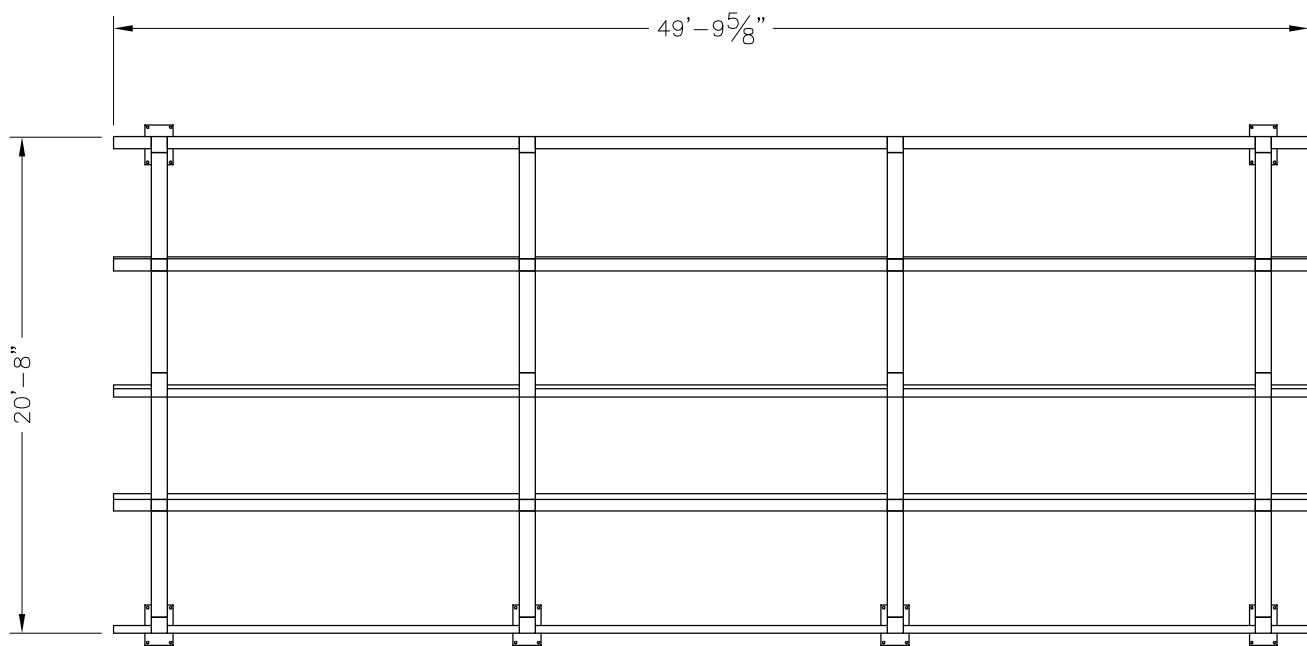
PRELIMINARY: NOT FOR CONSTRUCTION

**ICON**  
 Shelter Systems Inc  
 DISTINCTIVE STEEL SHELTERS  
 WWW.ICONSHelters.COM  
 COPYRIGHT 2004, ICON SHELTER SYSTEMS, INC.  
 1455 LINCOLN AVE.  
 HOLLAND MI, 49423  
 616.396.0919  
 800.748.0985  
 616.396.0944 FX

Frame

DRAWN BY:	LB
DATE:	4/30/14
JOB NO.:	STANDARD
REVISION:	
BUILDING TYPE:	BV24X50G2C-P5
PROJECT NAME:	-20-90-30 CUSTOM

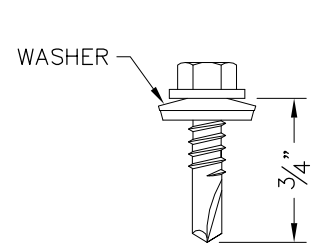
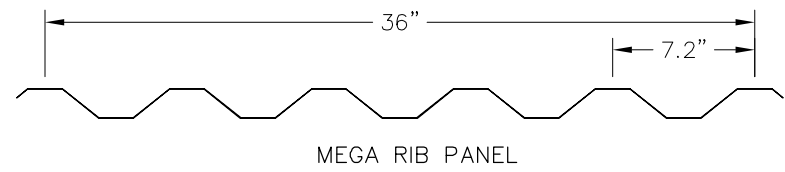
SHEET  
 3.0



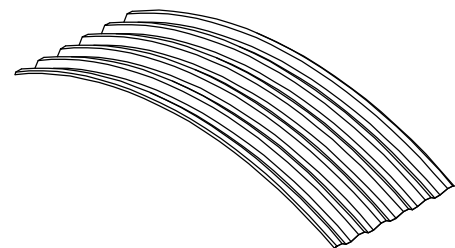
ALL STRUCTURAL COMPONENTS WILL BE:  
 TUBE: ASTM A500 GRADE B  
 PLATE: ASTM A36  
 BOLTS: ASTM A325  
 NUTS: ASTM A563  
 WELDING: GMAW

NOTE:  
 COLUMN SIZE: HSS 8x8x1/4

DWG: \\Icon01\Company\Engineering\Standards\BV\24X50\G2C-P5-20-90-30\Drawings\Preliminary\BV24X50-10G2C-P5-20-90-30~27734.DWG



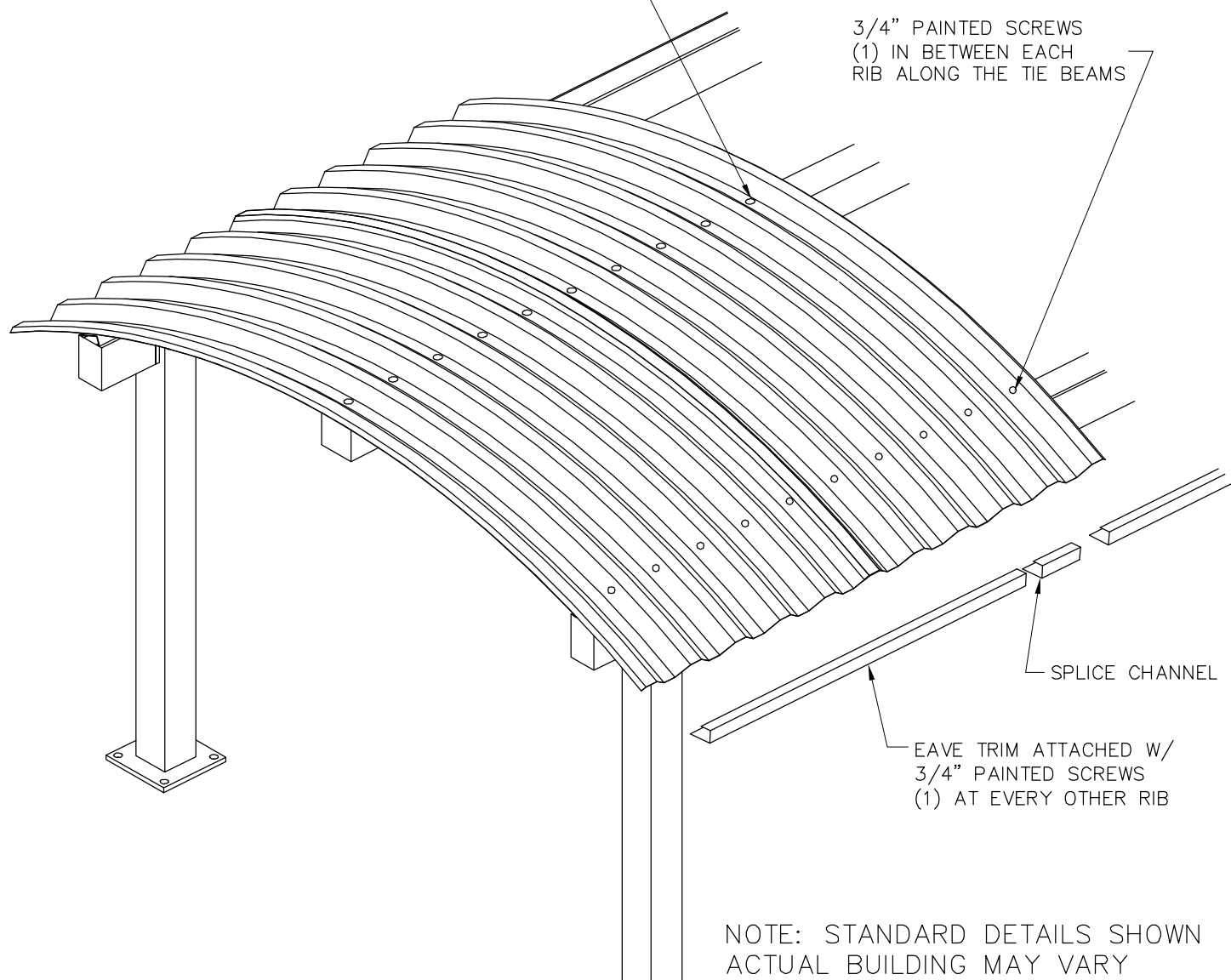
3/4" PAINTED SCREW



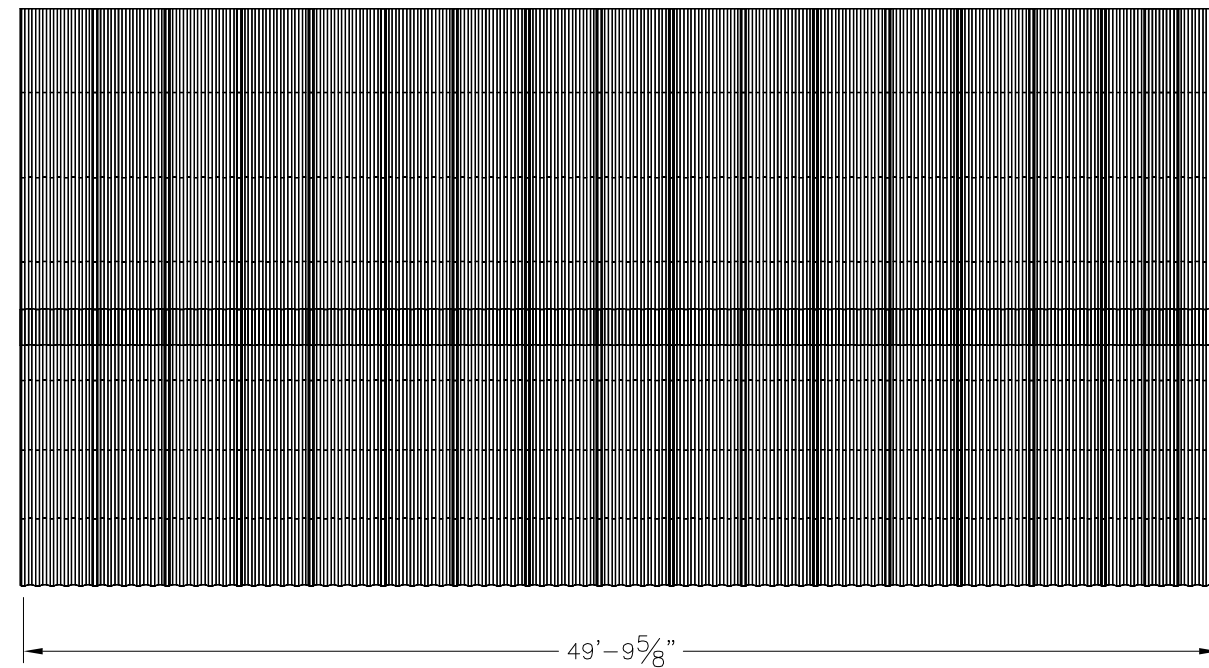
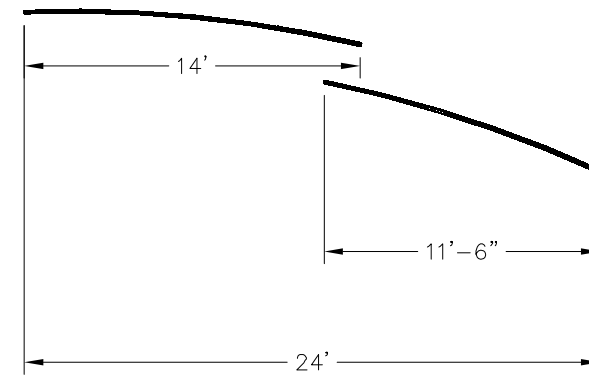
MEGA RIB PANEL

3/4" PAINTED SCREWS  
(1) IN BETWEEN EACH RIB  
ALONG THE RIDGE BEAM

3/4" PAINTED SCREWS  
(1) IN BETWEEN EACH  
RIB ALONG THE TIE BEAMS



NOTE: STANDARD DETAILS SHOWN  
ACTUAL BUILDING MAY VARY



PRELIMINARY: NOT FOR  
CONSTRUCTION

**ICON**  
Shelter Systems Inc  
DISTINCTIVE STEEL SHELTERS  
WWW.ICONSHelters.COM  
COPYRIGHT 2004, ICON SHELTER  
SYSTEMS, INC.  
1455 LINCOLN AVE.  
HOLLAND MI, 49423  
616.396.0919  
800.748.0985  
616.396.0944 FX

Roof Layout

DRAWN BY:

LB

DATE:

4/30/14

JOB NO.:

STANDARD

REVISION:

BUILDING TYPE:

BV24X50G2C-P5

PROJECT NAME:

-20-90-30  
CUSTOM

SHEET

4.0

Engineering\AcadStandard\Blocks\Title\ICONPRET.DWG  
GF-73-01-42

DWG: \\Icon01\Company\Engineering\Standards\BV\24X50\G2C-P5-20-90-30\Drawings\Preliminary\BV24X50-10G2C-P5-20-90-30~27734.DWG