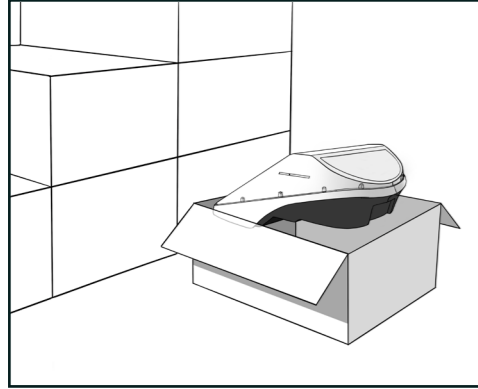
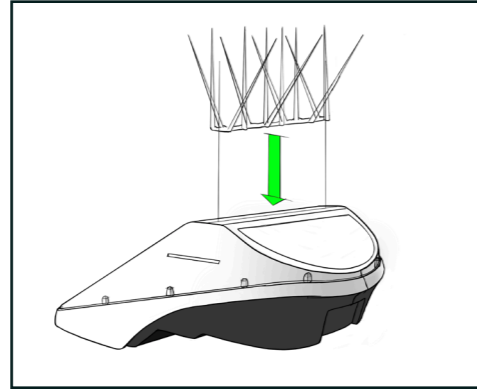


Storyboard: Locator One

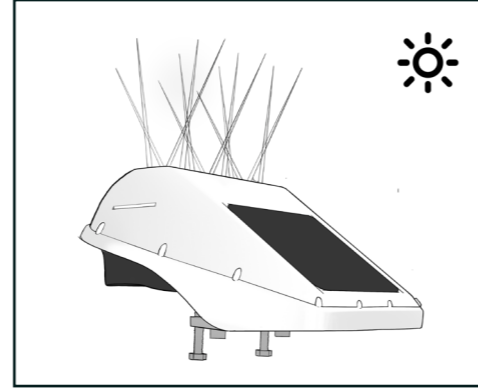
1. First arrival



Remove product from original box. (Might want to save the box for later storage.)

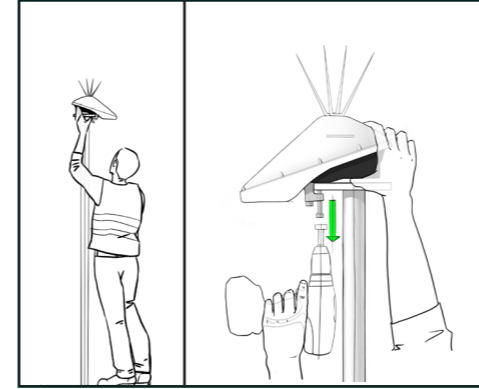


Place bird spikes onto the device.

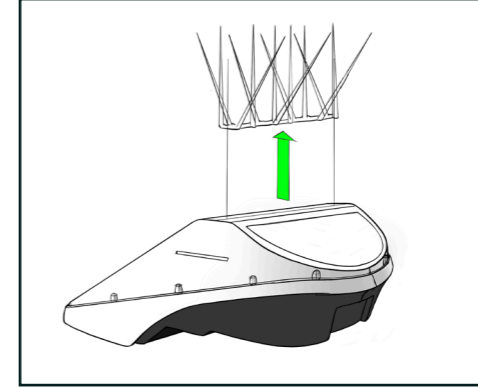


To charge the device from 0 - 100% requires 3 days sunshine (considering Dutch average).

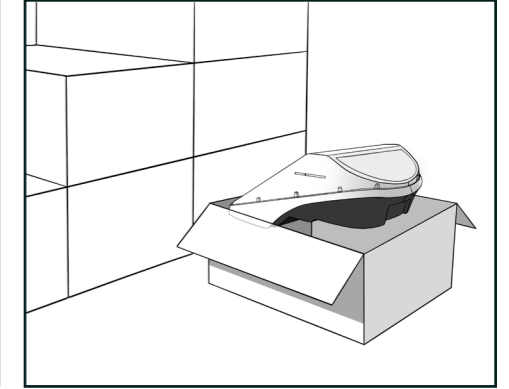
4. Remove and store



Remove product from settlement rod with impact drill / manual.

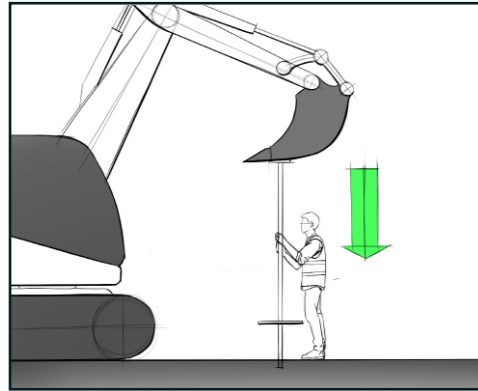


Remove bird spikes from the device.

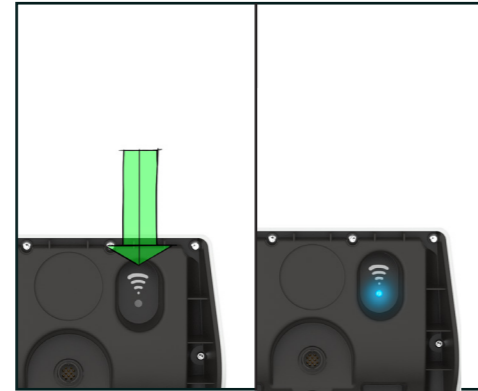


Store product preferably in original cardboard box or other secure place.

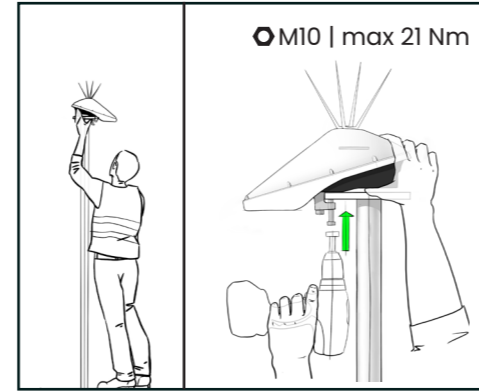
2. Placement on new beacon



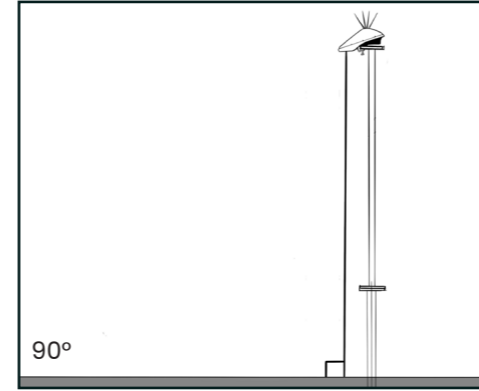
Place new settlement rod firmly in the ground with excavator.



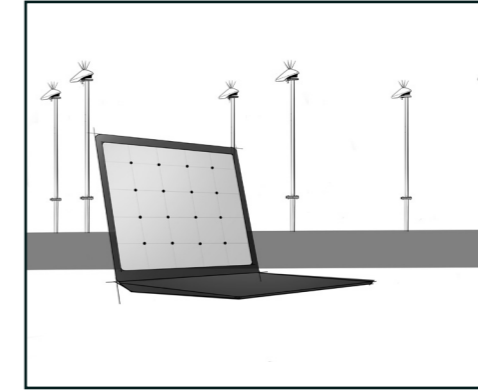
Hold magnet against wifi signal on the bottom of the device. LED should turn BLUE within 60 seconds if everything is OK. If it turns RED, take another device.



Secure product from settlement rod with impact drill / manual.

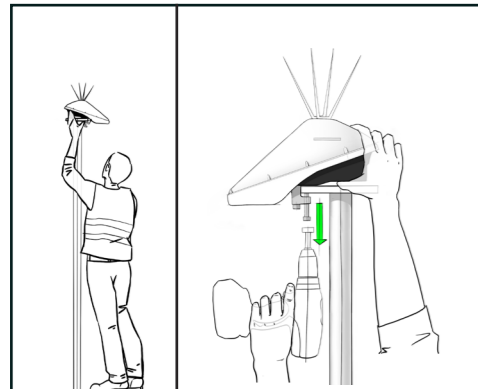


Make sure that the front of the device (distance sensor) is parallel to the measured surface.

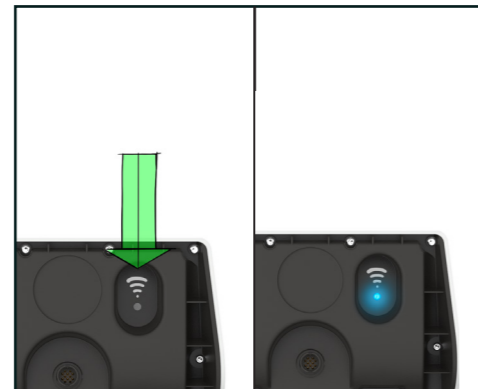


When all placed: link products to construction drawings and check status OTA (Over The Air).

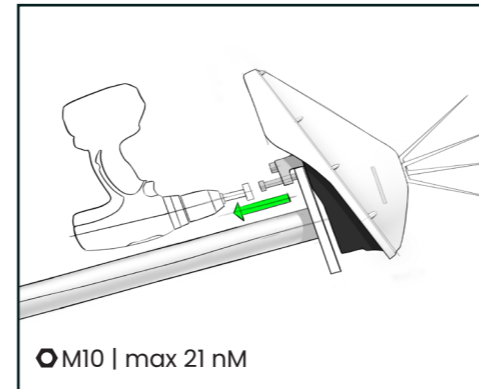
3. Extend existing beacon



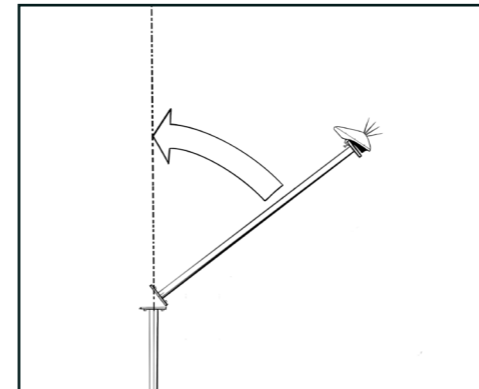
Remove product from settlement beacon pole with impact drill / manual.



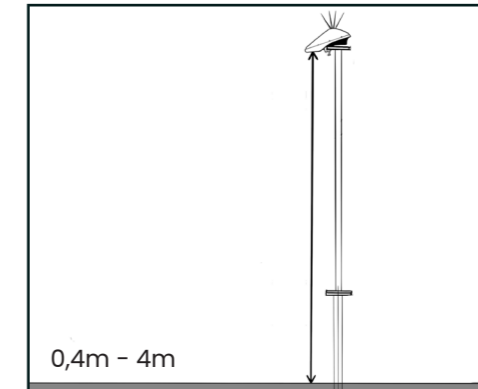
Hold magnet against wifi signal on the bottom of the device. LED should turn BLUE within 60 seconds if everything is OK. If it turns RED, take another device.



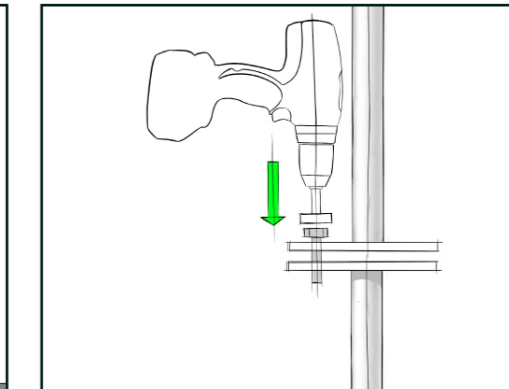
Mount product on extension rod while the pole lays horizontally.



Rise the extension rod vertically and align holes with base plate.



Make sure the distance from the device and the measured surface is between 0,4 and 4 meters.



Bolt the extension rod to the base plate.