



## **GREENERY™ S SITE PREPARATION AND DELIVERY GUIDE**

The Greenerly™ S is compact and mobile. It needs to meet only a few simple site requirements to make it operational, meaning it can be placed in a variety of urban, commercial, or residential locations.





**Freight Farms has shipped and placed over 600 container farms all around the world.  
We are looking forward to helping you bring this technology to your community!**

## **Contents**

### **04 SITE REQUIREMENTS**

05 SITE

06 ELECTRICITY

08 WATER

### **09 SITE CHECKLIST & GUIDELINES**

10 BEFORE DELIVERY

12 DELIVERY DAY

13 POST DELIVERY

### **15 SHIPPING AND DELIVERY BASICS**

17 DELIVERY ESTIMATE

18 PLACEMENT ESTIMATE

A large green and white shipping container is being lifted by a white crane mounted on a truck. The container has a large white logo on its side and text including 'OWLD 900030 E' and '45HM'. A worker in a blue shirt is visible in the background near a house. The scene is set outdoors with trees and a clear sky.

# SITE REQUIREMENTS

Here's everything you need to know about how to prepare for your Greenery S delivery, as well as what to expect the day of its arrival.

**SITE**

**ELECTRICITY**

**WATER**

The Greenery S dimensions are 40' x 8' x 9.5' (12.2 m x 2.4 m x 2.9 m) and it weighs 8 tons (7257.5 kg). Allow for 1' (30.5 cm) of space around the perimeter, with a minimum of 5' (1.5 m) at the front to access the main door, and 5' (1.5 m) at the back to access the electrical panel and HVAC unit. Farms must be placed on level ground with a maximum grade of 3%. The Greenery S should also be pitched so that the front of the farm is approximately 2" (5.1 cm) higher than the rear of the farm.

Due to the weight and magnitude of your container farm, it's important that your site is prepped for long-term use. We recommend placing your farm on a sturdy foundation like sonotubes, railroad ties, or a concrete pad to protect against the risks of inclement weather with dirt and gravel. The final site location requires at least 2" (5.1 cm) of gravel below the frost line. The farm cannot be placed on bare ground, as this will cause leveling to change over time, which may impact the farm's functioning. The foundation requires a set grade for the water to run back to the tank.

<b>FARM SITE LENGTH</b>	<b>50 feet</b>	<b>15.24 meters</b>
<b>FARM SITE WIDTH</b>	<b>10 feet</b>	<b>3.1 meters</b>
<b>FARM SITE HEIGHT</b>	<b>9.7 feet</b>	<b>3 meters</b>

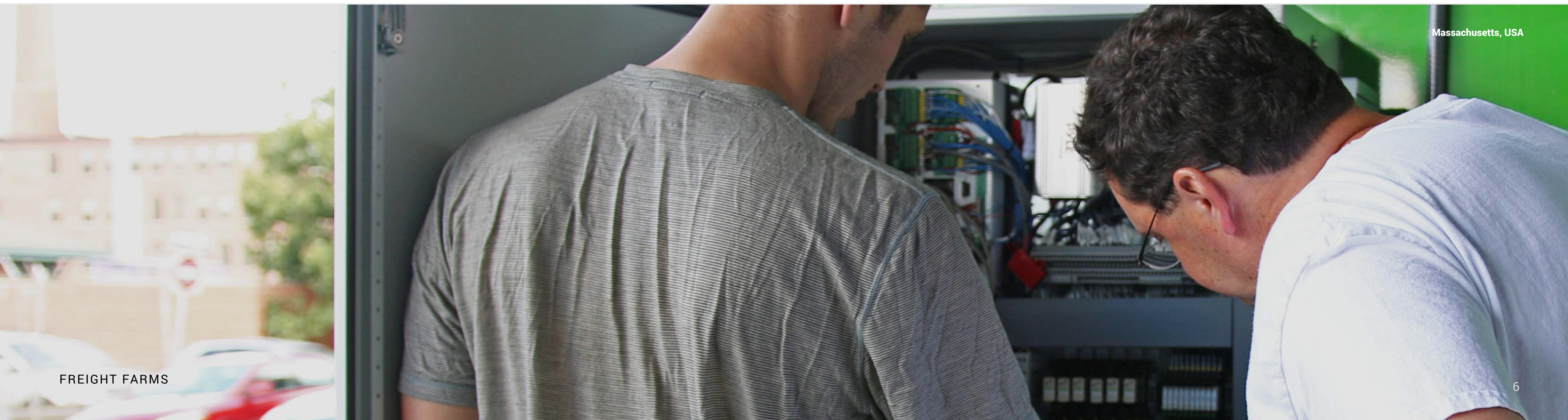


**SITE**  
**ELECTRICITY**  
**WATER**

The Greenery S comes standard with a 150-amp, 240V split-phase electrical connection. The farm should be connected to electricity by a licensed electrician. Due to the generic nature of the electrical hookup, alternatives like solar and battery systems can be used to power the farm. Consult your Customer Success Specialist to discuss options and approaches.

*If your site requires 208V 3-phase power connection for 100A service, Freight Farms will provide instructions. Freight Farms will not provide parts; they must be supplied by your local electrician.*

*For customers located in certain regions outside the United States that require a different electrical hookup, customers can expect ~\$500 in additional costs between parts and labor. Please contact the Freight Farms team for more information.*



SITE

ELECTRICITY

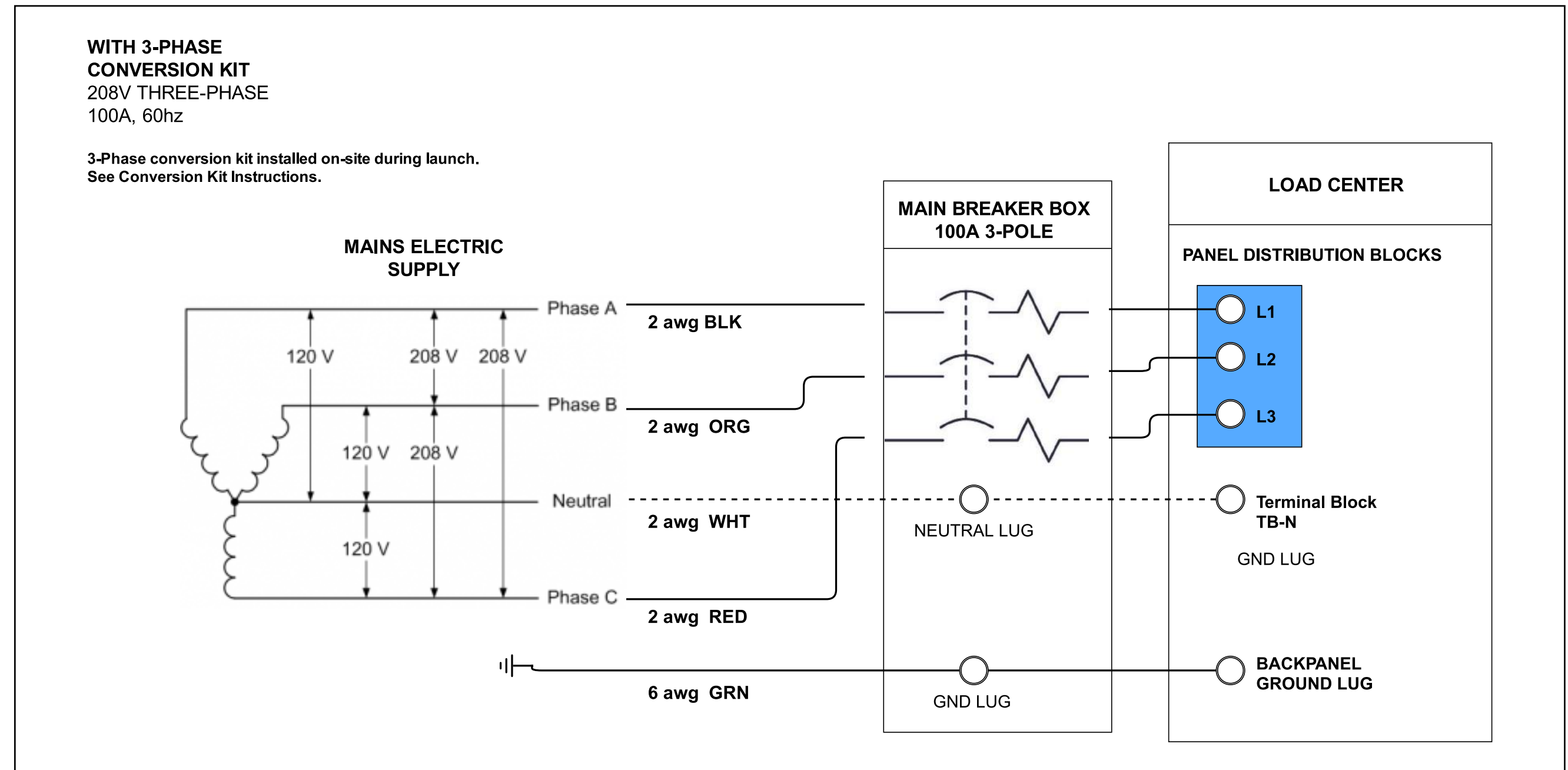
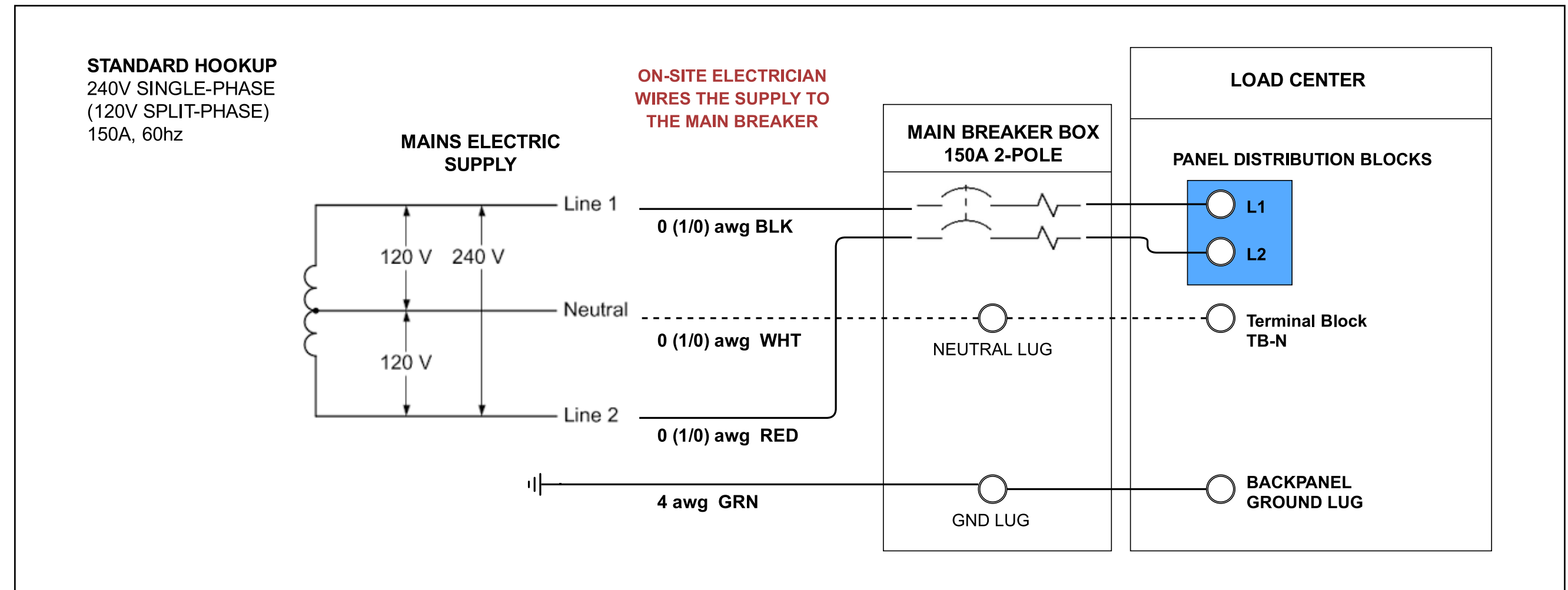
WATER

Electrical Hookup Schematic

*Proprietary and Confidential*

The information contained in this drawing is the sole property of Freight Farms, Inc. Any reproduction in part or as a whole without the written permission of Freight Farms, Inc. is prohibited.

**Electrical hookup must comply with all local and state code requirements. Consult your site electrician.**



*SITE*

*ELECTRICITY*

**WATER**

Water access should be within 50' (15.2 m) of the Greenery™ S in order to fill the water tanks. A designated water source is suggested, but it can be achieved with a common garden hose feed as well. The water hookups on the Greenery S are spigots with a standard garden hose connection. For sites that experience subfreezing temperatures (below 32°F or 0°C), the water line should be insulated to prevent disruption to water access.

We highly recommend that you take a water test of your water source and send it to Freight Farms for review. Once a water source has been identified, conduct a water test using the [instructions](#) in farmhand® Knowledge Base.






# Learn more about how to bring a farm to your location

Get Individualized Assistance

Continue to Checklist & Guidelines →





# SITE CHECKLIST & GUIDELINES

Please note that these are guidelines. If you have a site that doesn't meet every specification, it may still work, but please consult Freight Farms. We've seen quite a range of locations for farm placement!

## BEFORE DELIVERY

### DELIVERY DAY

### POST DELIVERY

## SPACE

- Your city or town may have certain zoning or code requirements, which are important to know beforehand. Be sure to consult your local municipality.
- Dimensions of the farm are 40' x 8' x 9.5' (12.2 m x 2.4 m x 2.9 m). We recommend placing the farm in a 50' x 10' (15.2 m x 3 m) area (or larger) to allow for space to connect to electricity and water. Most farmers select a parking lot or other paved area, and some farmers excavate an area to lay either compressed trap rock or concrete. **Let us know if you plan to deploy your farm on trap rock or plan to excavate for a concrete pad.**
- Allow for 1' (30.5 cm) of space around the perimeter, with a minimum of 5' (1.5 m) at the front to access the main door, and 5' (1.5 m) at the back to access the electrical panel and HVAC unit.
- Select level ground with a maximum 3% grade. The Greenery S should also be pitched so that the front of the farm is approximately 2" (5.1 cm) higher than the rear of the farm.
- You will need at least 10 pieces of pressure-treated wood or hardwood (poplar) in order to pitch and level your farm. You can find this wood at any local lumber yard or hardware box store. **We recommend each piece be 10" x 10" x 2" (25.4 cm x 25.4 cm x 5.1 cm).** The quantity required will vary depending on the slope of the ground under the farm. Other leveling options besides wood are also possible. Please consult Freight Farms with questions.

- Your farm will be arriving to your delivery site on a full size tractor trailer that is 70–80' (21.3–24.4 m) long, over 13' (4 m) high, and weighs around 65,000 lbs. As such, site accessibility is an important factor when coordinating delivery. Please be sure to share any photos/details with us regarding site accessibility, like tight corners, narrow driveways, etc. that are not immediately obvious in your site photos. There is no such thing as too much info!

Another variable to consider is that heavy equipment such as the truck and the crane need solid and dry ground to safely perform their jobs; weather is an important factor when coordinating delivery. Please keep this in mind as your delivery date approaches. It is much more cost-efficient to reschedule a delivery prior to your farm leaving our storage facility than it is when it is already on the road.

**BEFORE DELIVERY**

**DELIVERY DAY**

**POST DELIVERY**

**ELECTRICAL**

- Determine the closest electrical source and site voltage. Electrical hookup must comply with all local and state code requirements. Consult your site electrician.
  
- Prep for a 150-amp 240V split-phase electrical connection.  
*If your site requires 208V 3-phase power connection for 100A service, Freight Farms will provide instructions. Freight Farms will not provide parts, they must be supplied by your local electrician.*

**WATER**

- The water source should be within 50' (15.2 m) of the farm. Water can be supplied to the farm through either a hard or a soft plumbed line. Farms located in climates that experience subfreezing temperatures (below 32°F or 0°C) must insulate or heat the water feed to prevent freezing.
  
- Be sure to send a sample of the water that you will be using in your Greenery™ S to a lab for testing. You want to make sure your water is free of any bacteria, pathogens, or other harmful elements. Depending on the results of your water test, a filtration system for your source water may be needed.

*BEFORE DELIVERY*

**DELIVERY DAY**

*POST DELIVERY*

**DOCUMENT THE DELIVERY**

- We ask that you take a few photos and/or videos of your Greenery™ S upon its arrival. Taking photos at the time of delivery helps us work with the third-party logistics company in cases of any reported damage. If you have additional equipment apart from the truck assisting with delivery (i.e. crane, rigging system, etc.), please snap a few photos of the farm while it's on the truck bed, and then after it's placed at your site.

Please read on [Protect Your Investment](#) on farmhand Knowledge Base for a full walkthrough of how to document your farm's arrival to ensure you're taking all the necessary steps.



**We recommend taking several photos of:**

- Each side of the farm
- Entrance Door
- HVAC Unit
- Exterior Spigot
- Electrical Box
- Farm Interior (with the doors open)

**TIP** Many farmers opt to hire videographers for the day of delivery to help capture the magic in action! Our marketing team can even work with you to help promote the delivery of your farm with any supplied footage through our social media channels. Watch our farm delivery compilation videos [here](#).



**BEFORE DELIVERY**

**DELIVERY DAY**

**POST DELIVERY**

**SPACE**

- The pitch of the farm should be 2" (5.1 cm) higher at the front (the main door) than at the rear (HVAC and electrical box). If you need to level the farm after arrival, you will need a two-axis laser level as well as two five-ton toe jacks to level the farm. Purchase the laser level for leveling the Nursery Station and future pitch adjustments, but rent the toe jacks for deployment day from a tool rental service in your area.

**ELECTRICAL**

- Have a licensed electrician hardwire or create a plug for a 150 Amp, 120V AC Split-phase (240V AC Phase to Phase Voltage), 60Hz connection, or multi-unit as needed.

**WATER**

- You may need to install a backflow preventer on your farm to prevent nutrient-enriched water from mixing with the potable water supply. Please consult your local plumber to understand your state's requirements.

**EXTERIOR**

- Never cover up the OWL or serial numbers on the main door or the CSC plate on the back of the Greenery S. If you decide to paint or customize your unit in the future, make sure to either keep them visible or add them on again after the fact.



Minnesota, USA

*BEFORE DELIVERY*

*DELIVERY DAY*

***POST DELIVERY***

**POST-DELIVERY INSPECTION**

- You will receive a [Post-Delivery Inspection Checklist](#) via email once your farm has been delivered. Please be sure to fill this out and return it to your Customer Success Specialist as soon as possible. Freight Farms will cover the costs of damages incurred during transit pending the submission of proper documentation.

*Delivery Disclaimer:* At Freight Farms, we take pride in delivering high-quality container farms to our valued customers. However, we would like to inform our customers that occasionally, during the delivery process, minor imperfections may occur on the exterior of the containers. These imperfections, such as scuffs or small dents, are typically the result of handling during transportation and are purely cosmetic in nature. They do not affect the functionality or performance of the container farm itself. Rest assured, we thoroughly inspect and test each container farm before it leaves our facility to ensure it meets our stringent quality standards. If you receive your farm with a dent that has penetrated the exterior shell, please document and contact your Customer Support Specialist.



# Learn more about how to bring a farm to your location

Get Individualized Assistance

Continue to Shipping Basics



 **FREIGHT  
FARMS**



An aerial photograph of a tropical beach scene. In the foreground, a blue semi-truck with a white trailer is driving on a paved road. The trailer has a green logo on its side. The truck is moving towards the right. To the right of the road is a sandy beach with several palm trees. In the background, there are some buildings and a clear blue ocean with white waves. The sky is bright and clear.

# SHIPPING DELIVERY BASICS

The Freight Farms logistics team is knowledgeable and experienced. While you're welcome to organize your own farm delivery logistics, our team is here to help!

## **WOULD YOU LIKE US TO COORDINATE THE SHIPPING OF YOUR FARM?**

**If yes, the Freight Farms logistics team will handle all the details.**

### **✓ Delivery Estimate**

The farm will be shipped from Massachusetts to your farm site.

Depending on your location this may involve overland trucking, rail, or shipping by boat. Delivery rates fluctuate depending on location, time of year, and even weather, so they are subject to change.

### **✓ Placement Estimate**

We hire the right crew for your site and handle the offload.

This usually involves a crane operator and rigging crew.

**If no, you will need to:**

- Hire a Freight Forwarder to transport the farm on a step deck or tilt bed trailer
- Hire a crane operator and rigging crew
- Coordinate pickup, delivery, placement, and launch dates with your Customer Success Specialist

---

*We will be able to provide your shipper or customs agent with any documentation or information they need.*

## DELIVERY ESTIMATE

## PLACEMENT ESTIMATE

### Shipping the farm from Massachusetts to your farm site on a trailer

Estimate your delivery cost by determining the total miles between your site and Mansfield, MA. Then multiply the mileage by \$4.50, which is the average cost per mile.

We've delivered farms all over the world. Contact your dedicated Customer Success Specialist with questions about your specific project.

SAMPLE DELIVERY COST | FROM MASSACHUSETTS (02048)  
TO METRO CHICAGO, ILLINOIS (60607)

$$\sim \$4,450 + \$2,000 = \$6,450$$

Total miles from 02048 to  
60607 (989 miles x \$4.50)

Standard site/rotator  
crane fee

Total shipping and  
placement quote

*Remember, this is only an estimate. Depending on the time of year and location of the farm, the delivery and placement cost may fluctuate. While the average is \$4.50, we've seen delivery costs range from \$2.60 per mile to \$10.65 per mile.*

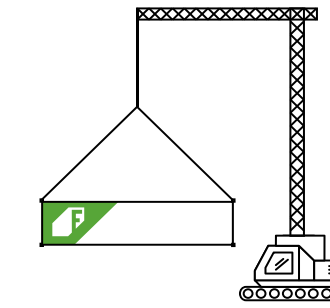


*DELIVERY ESTIMATE*

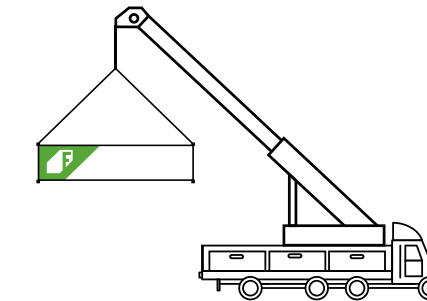
***PLACEMENT ESTIMATE***

**Removing the farm from the trailer and placing it at your site**

Our logistics team can help you determine the best placement method for your site. Make sure to note any special circumstances related to your site that may complicate delivery. Contact your dedicated Customer Success Specialist with questions about your specific project.



**Average full-size crane with rigging crew cost:**  
USD \$1,200–3,600



**Average rotator crane cost:**  
USD \$2,000

Crane and offload costs start at \$2,000 but increase in cost based on the complexity of the load. A complex load is defined by how close the crane company can get to the site; if they have to lift from farther away due to power lines, trees, or level ground, it becomes more expensive. *Pricing varies based on project.*



Tasmania, Australia

**Learn more about how  
to bring a farm to your  
location**

**Get Individualized Assistance**





[FREIGHTFARMS.COM](http://FREIGHTFARMS.COM)