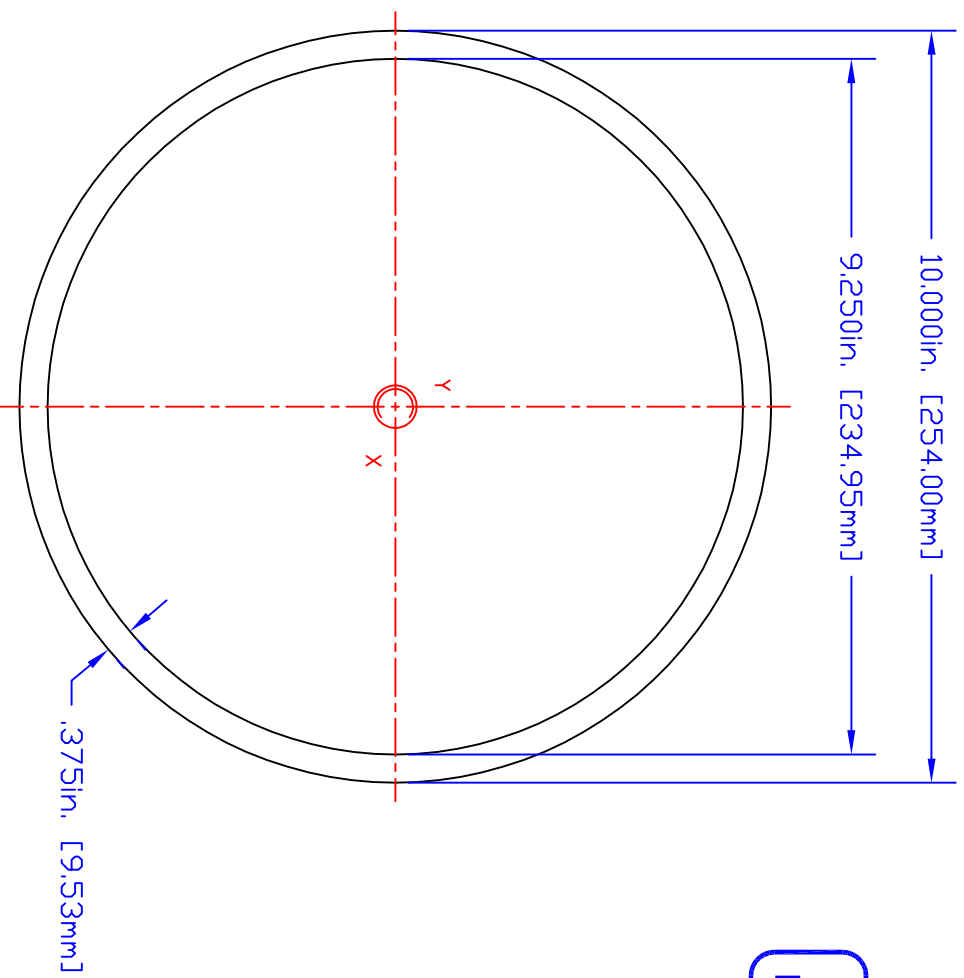


**SUPERPILE®**  
Legacy Dock Pile



Note: Dimensional tolerances per ASTM D3917

| Imperial Units           |         |                 | Metric Units             |           |                 |
|--------------------------|---------|-----------------|--------------------------|-----------|-----------------|
| Cross Section Properties |         |                 | Cross Section Properties |           |                 |
| Area                     | 11.339  | in <sup>2</sup> | Area                     | 7.316E+03 | mm <sup>2</sup> |
| I <sub>x</sub>           | 131.508 | in <sup>4</sup> | I <sub>x</sub>           | 5.474E+07 | mm <sup>4</sup> |
| I <sub>y</sub>           | 131.508 | in <sup>4</sup> | I <sub>y</sub>           | 5.474E+07 | mm <sup>4</sup> |
| I <sub>xy</sub>          | 0       | in <sup>4</sup> | I <sub>xy</sub>          | 0         | mm <sup>4</sup> |
| S <sub>x</sub>           | 26.301  | in <sup>3</sup> | S <sub>x</sub>           | 4.310E+05 | mm <sup>3</sup> |
| S <sub>y</sub>           | 26.301  | in <sup>3</sup> | S <sub>y</sub>           | 4.310E+05 | mm <sup>3</sup> |
| r <sub>x</sub>           | 3.406   | in              | r <sub>x</sub>           | 8.651E+01 | mm              |
| r <sub>y</sub>           | 3.406   | in              | r <sub>y</sub>           | 8.651E+01 | mm              |



CREATIVE PULTRUSIONS INC.  
214 Industrial Lane  
Alum Bank, Pennsylvania 15521  
www.creativepultrusions.com  
(814) 839-4186 (888) CPI-PULL

|                              |  |              |                 |        |
|------------------------------|--|--------------|-----------------|--------|
| Part Description:            |  | Part Number: | Units:          | Scale: |
| ø10 x 3/8" (wall) Round Tube |  | TU440        | Imperial/Metric | Full   |

All information herein for reference only