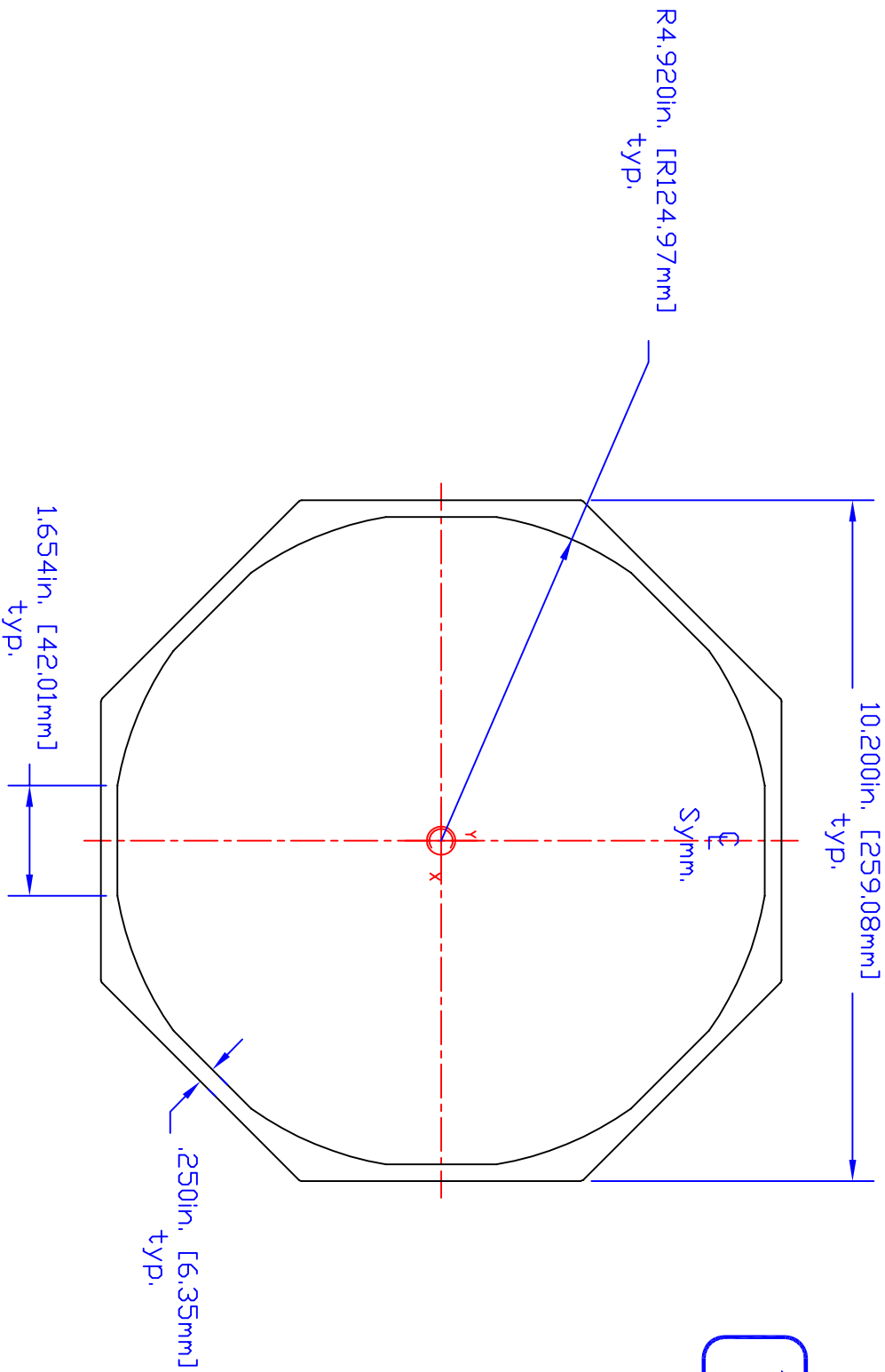


10" Octagonal
Dock Pile



Note: Dimensional tolerances per ASTM D3917

| Imperial Units | | | Metric Units | | |
|--------------------------|---------|-----------------|--------------------------|-----------|-----------------|
| Cross Section Properties | | | Cross Section Properties | | |
| Area | 10.761 | in ² | Area | 6.943E+03 | mm ² |
| I _x | 139.686 | in ⁴ | I _x | 5.814E+07 | mm ⁴ |
| I _y | 139.686 | in ⁴ | I _y | 5.814E+07 | mm ⁴ |
| I _{xy} | 0 | in ⁴ | I _{xy} | 0 | mm ⁴ |
| S _x | 27.389 | in ³ | S _x | 4.488E+05 | mm ³ |
| S _y | 27.389 | in ³ | S _y | 4.488E+05 | mm ³ |
| r _x | 3.603 | in | r _x | 9.152E+01 | mm |
| r _y | 3.603 | in | r _y | 9.152E+01 | mm |



Part Description:
 Part Number: CP074
 Units: Imperial/Metric
 Scale: Full

CREATIVE PULTRUSIONS INC.
 214 Industrial Lane
 Alum Bank, Pennsylvania 15521
 www.creativepultrusions.com
 (814) 839-4186 (888) CPI-PULL

All information herein for reference only