

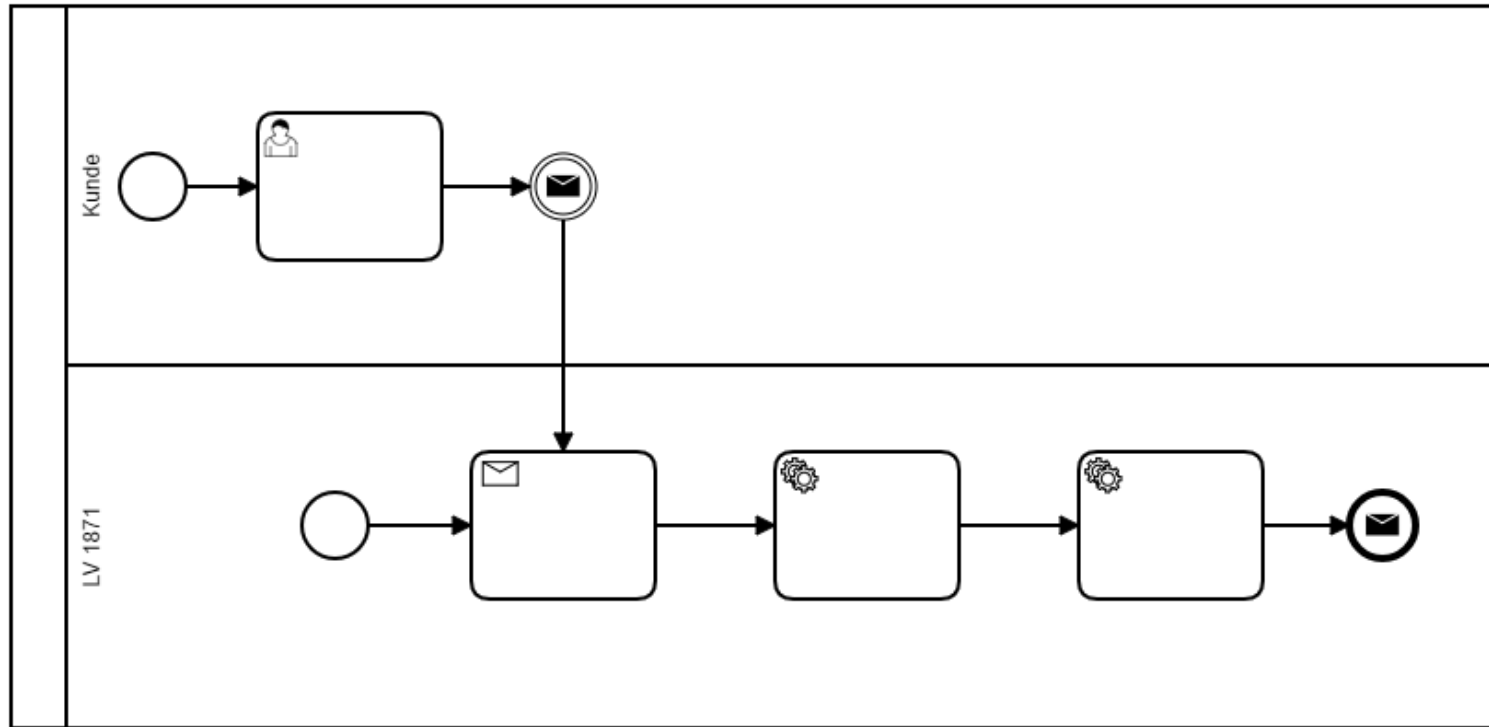


Business rules at a glance

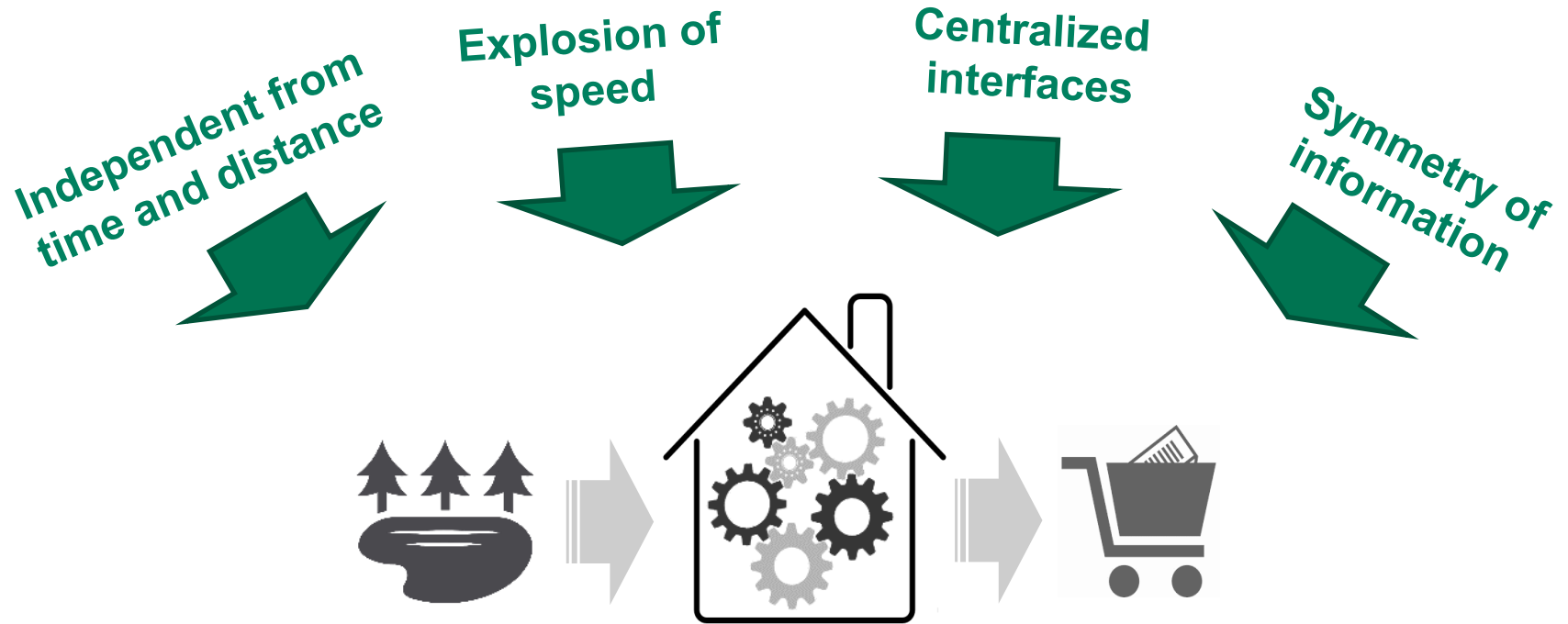
David Ibl @ LV 1871



Process automation @ LV 1871



Effects of digital transformation

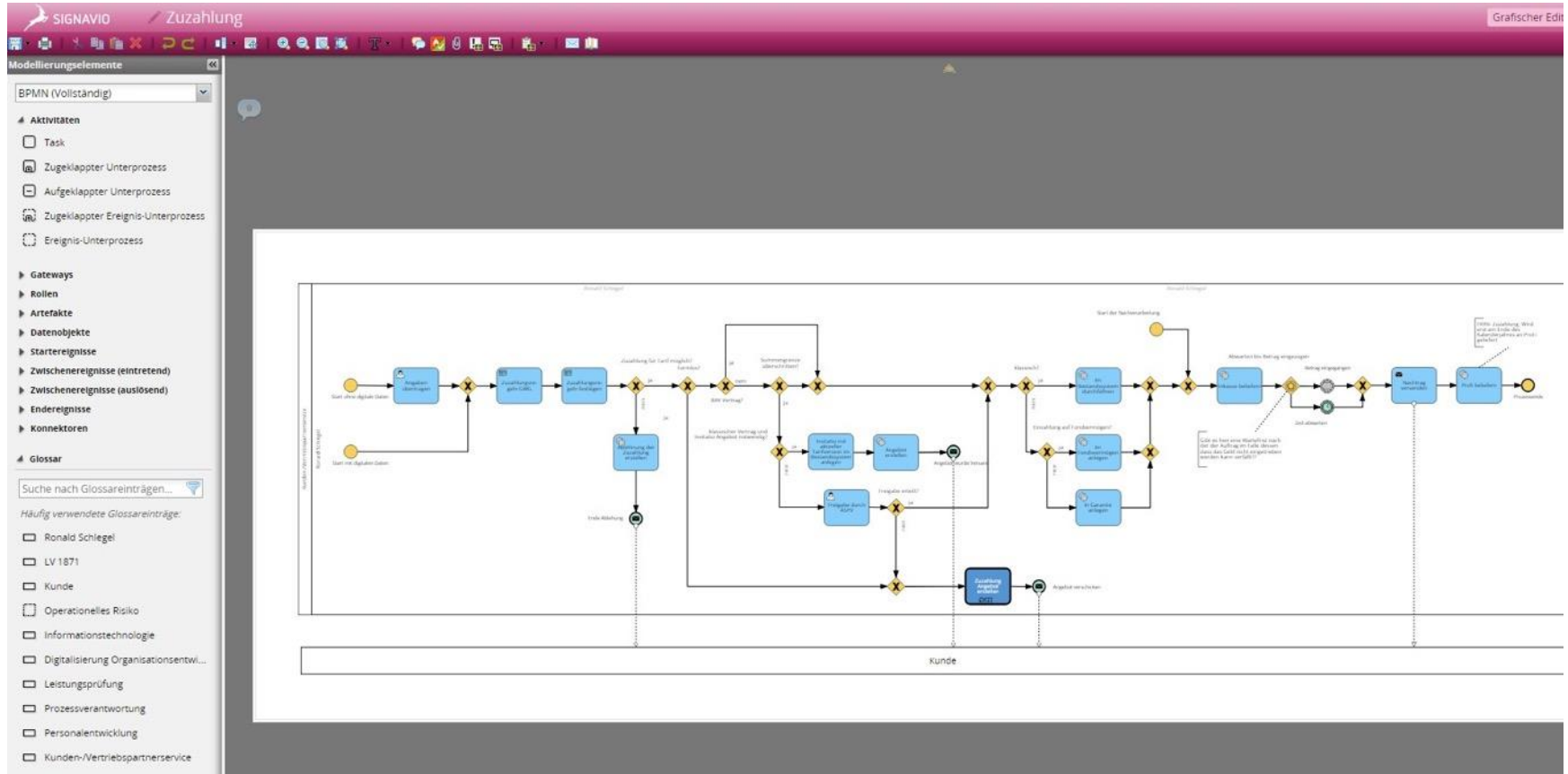


Highly digitalizable!
And digitalization means automation.

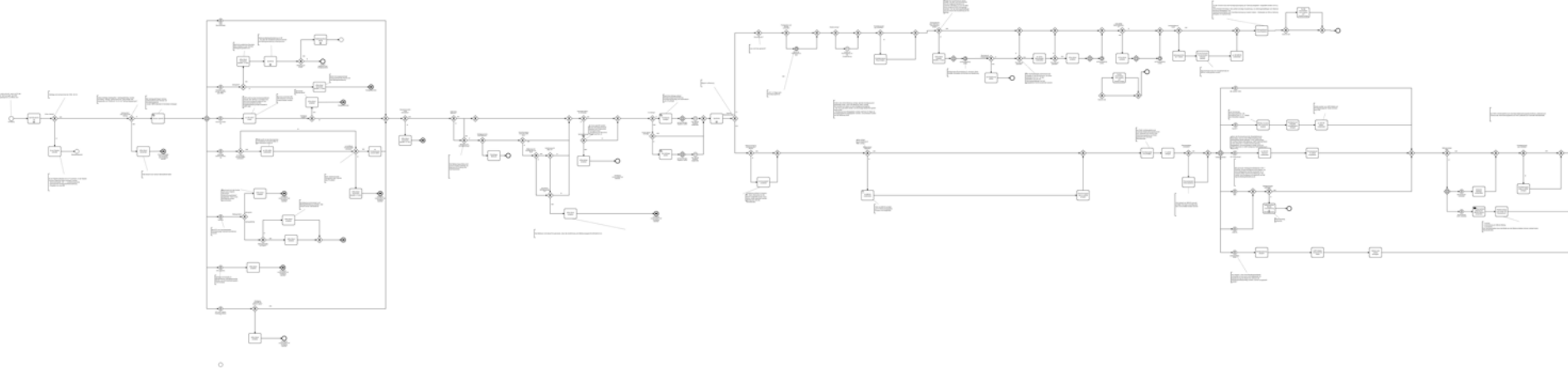
Increasing complexity



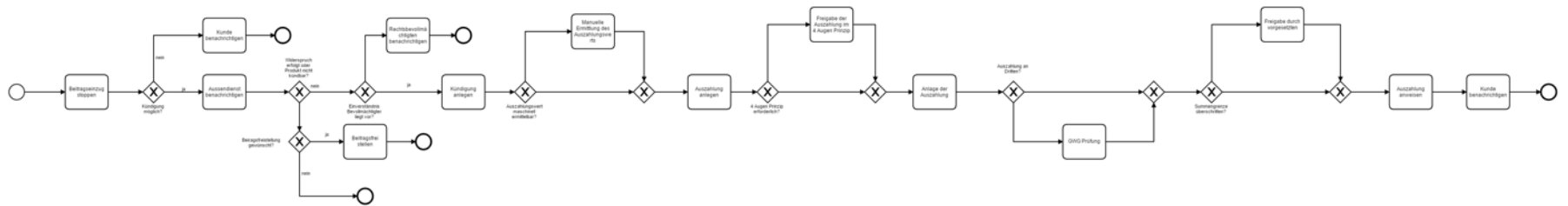
Collaborative development of process models



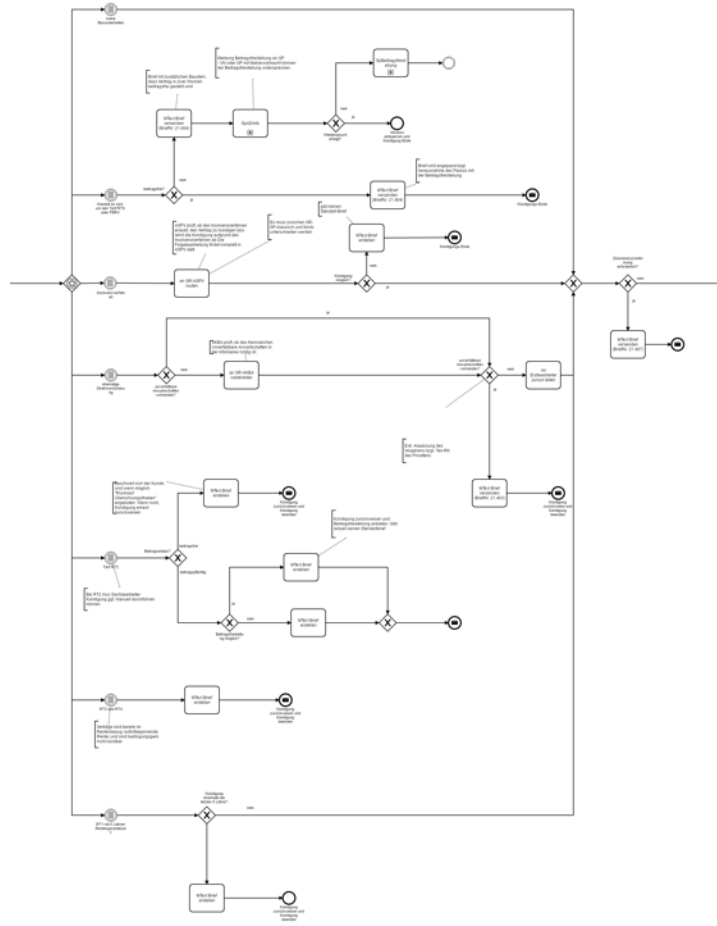
Holistic process models



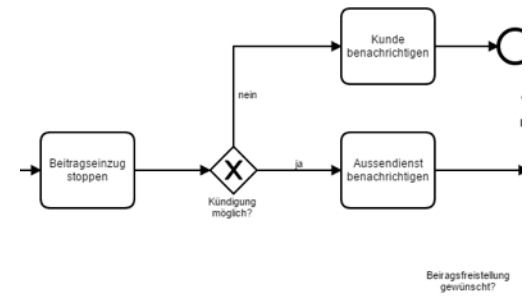
Business process model



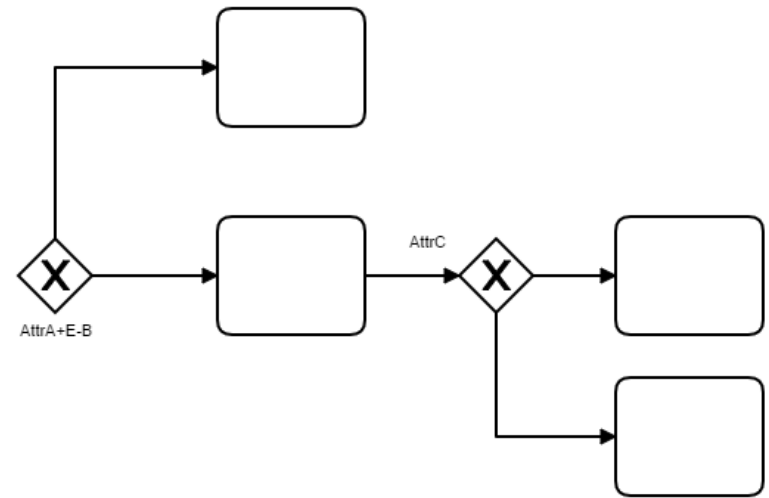
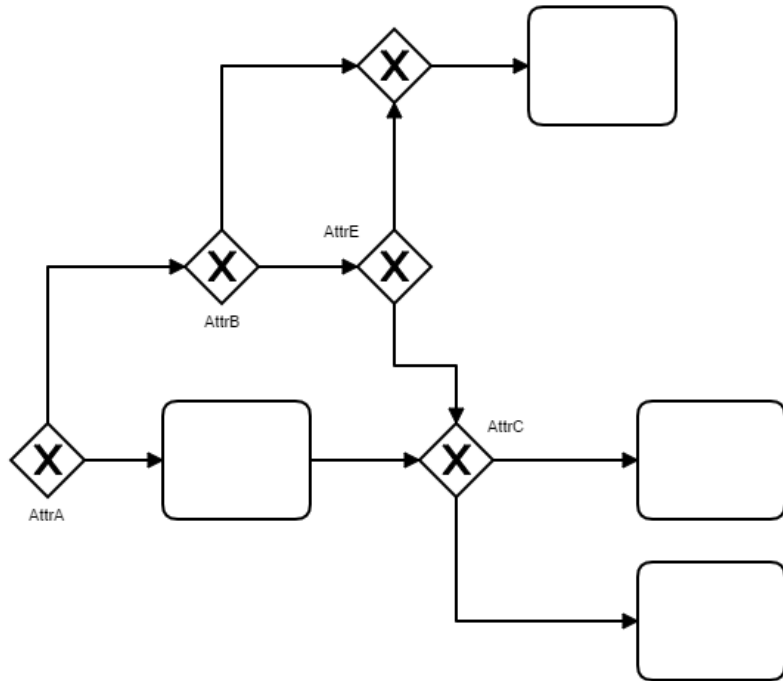
Differences?

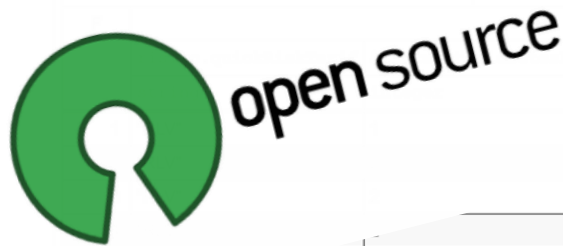


VS



Extracting business rules





Datenmodell | Dein Modell | Example

Bedingung

View DRD

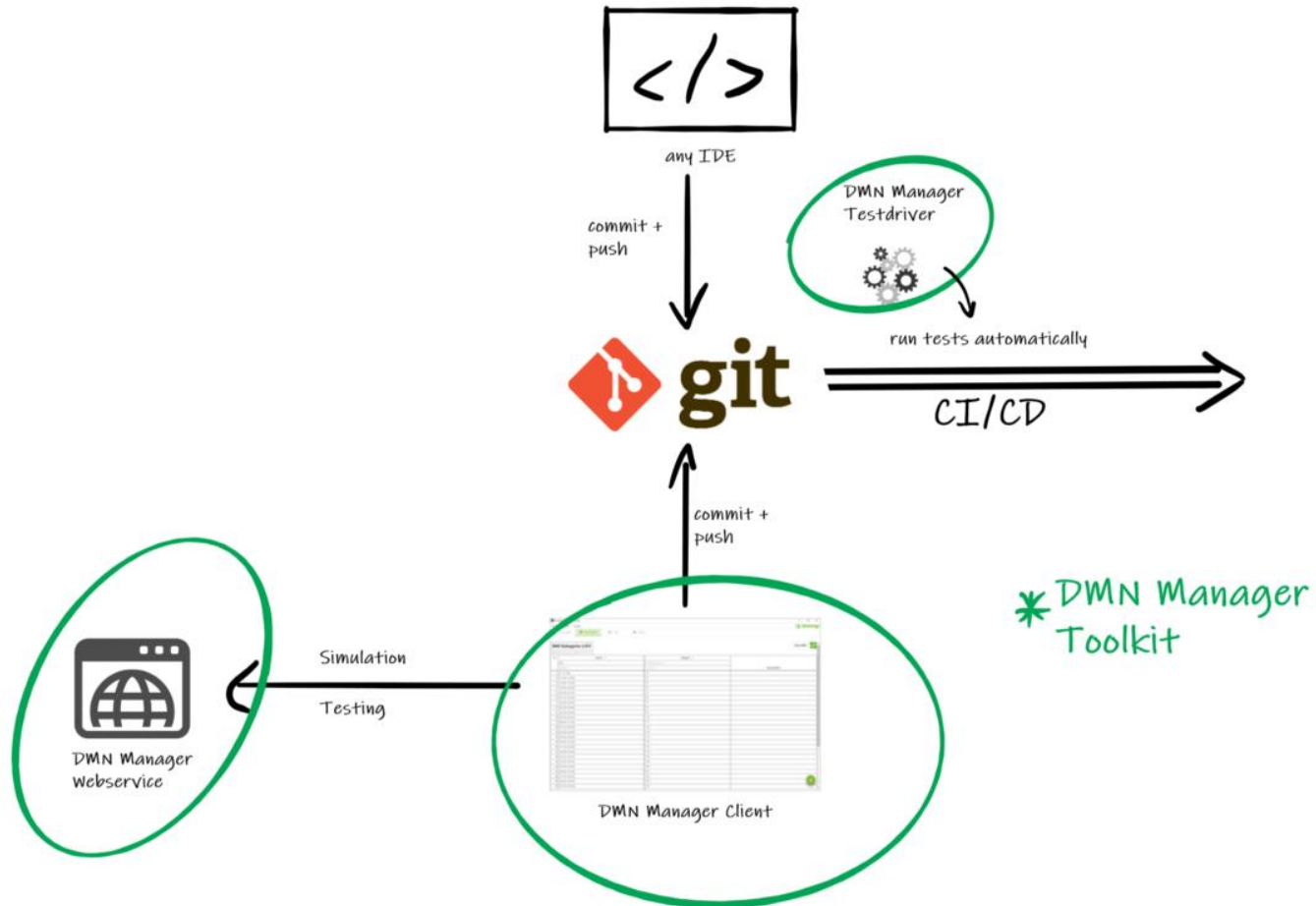
lung.id)	integer					
	-					
	1					
	2					
	3					
	4					
	5		<=45		3	
7 "RLV"	2		<=45		4	
8 "RLV"	2		<=45		2	fals
9 "RLV"	2		<=45		2	-
10 "RLV"	2		<=45		2	-
11 "RLV"	2		<=45		2	-
12 "RLV"	2		<=45		2	-
13 "RLV"	2		<=45		2	-
14 "RLV"	2		<=45		2	-
15 "RLV"	2		<=45		2	-
16 "RLV"	2		<=45		2	-
17 "RLV"	2		<=45		1	fals
18 "RLV"	2		<=45		1	-
19 "RLV"	2		<=45		1	-
20 "RLV"	2		<=45		1	-
21 "RLV"	2		<=45		1	-
22 "RLV"	2		<=45		1	-
23 "RLV"	2		<=45		1	-
24 "RLV"	2		<=45		1	-
25 "RLV"	2		<=45		1	-

CAMUNDA

Development Workflow



General architecture



Responsibilities



**CAMUNDA
CON**
2020.2

Questions?



NEXT SESSIONS

TRACK 1



Omid Tansaz

 **11:00am ET / 5:00pm CET**

Omid Tansaz
Nexxbiz Operations

TRACK 2



**Taesting Cheesecake - Integrate
Your Test Reports Easily with
FlowCov**

 **11:00am ET / 5:00pm CET**

Dominik Horn
FlowSquad

&

Nele Uhlemann
Camunda