

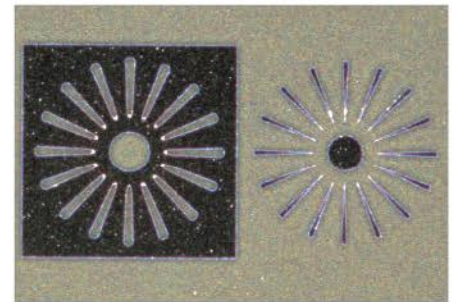


ZEISS SteREO Discovery.V8

Your Modular Stereo Microscope with Manual 8:1 Zoom for Materials



*PCB: Laterally grazing reflected light
Objective: Plan S 1.0x
Magnification 16x (when looking through eyepieces)*



*Wafer Structure: Darkfield reflected light
Objective: PlanApo S 1.5x
Magnification 120x (when looking through eyepieces)*

Enjoy more freedom to operate with SteREO Discovery.V8, thanks to its modular design. Choose between ergotubes, coaxial illumination, co-observation bridge and drawing, photo and intermediate fluorescence tubes.

Gain parallax-free, brilliant 3D impressions of your samples with vertical view mode.

SteREO Discovery.V8 450 stand is large, and highly stable, minimizing vibration. You'll appreciate the amount of space in the sample area, which also accommodates the addition of larger stages.

Highlights

- Configure your system with a large variety of accessories: objectives, tubes, stands and illumination options.
- Use brightfield, darkfield, oblique light, polarization and fluorescence illumination techniques.
- Wide range of fiber optic light guides and direct LED illuminations makes sample structures stand out.
- Connect the phototubes via 60N interface with ZEISS Axiocams for digital imaging.
- Use the VisILED annular lights with segmenting function: Switch from shadow-free annular illumination to lateral oblique light at the click of a button. Turn the oblique light around your object and rotate the illumination for a stereoscopic impression of the object in the live image.
- Make your work comfortable: Define your optimal viewing angle using one of the ergo tubes 5-45°.

Created for Your Applications

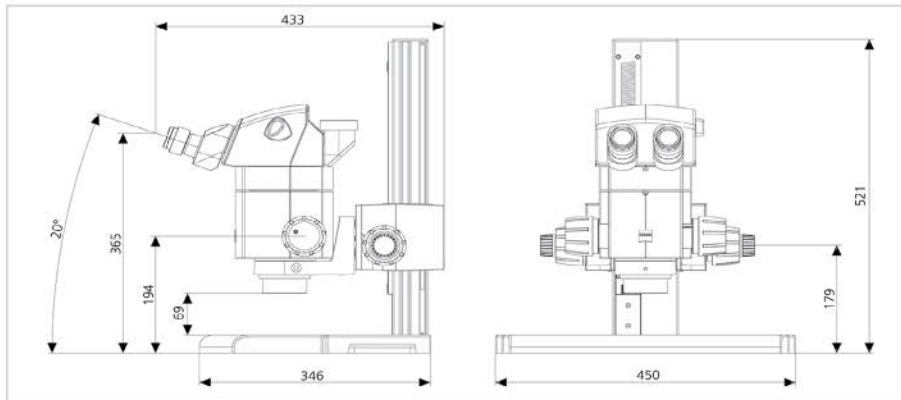
- Acquire crisp images without distortion to determine surface characteristics.
- Analyze solder joints, particles and artifacts on PCBs.
- Gather forensic evidence by analyzing ammunition parts, tool marks, documents, fibers, coatings, glass, textiles and hair.
- Safeguard the quality of medical devices with high contrast images showing the minutest irregularities on and beneath the surface of catheters and scalpel blades.
- Digitally measure and record your sample with ZEISS imaging software AxioVision.





ZEISS SteREO Discovery.V8

Your Modular Stereo Microscope with Manual 8:1 Zoom for Materials



Special Features:

- Stiffness and low-vibration design of stands optimized by FEM calculation (finite element method)
- Skin friendly, high tech lacquer for stand plate: extremely scratch resistant and always hand warm
- Long-term reliability proven by accelerated simulation of 10 years extensive use.
- All optical components in SteREO Discovery.V8 are anti-fungus treated.

Accessories Available:

- Coaxial reflected-light illuminators for single objectives or as 3x nosepiece (for observation of plain, highly reflective specimens)
- Objective slider S and nosepiece S/doc with easy switch between stereo mode and 2D macro mode
- Various stages e.g. gliding, ball-and-socket, rotating Pol stage
- ZEISS Axiocam microscope cameras
- Various adapters for 3rd party mirror reflex and video cameras

Technical Data

| | | |
|--|---|---|
| Operating Concept | Telescope design, CMO design (Common Main Objective) | |
| Panratic zoom range | 1 x ... 8 x manual zoom body | |
| Magnification range and max. resolution for Stereo Observation | 10 x ... 80 x max. 346 Lp/mm | Basic version (1x objective and 10x eyepieces) with exchangeable optics |
| Magnification range and max. resolution for 2D Observation | 3 x ... 700 x max. 1211 Lp/mm with exchangeable optics | |
| Observation tubes | Binocular tubes and phototubes S with fixed viewing angles 20° resp. 35° Binocular Ergo tubes and Ergo phototubes S with variable viewing angle 5-45°, the Ergo tube S 1,25x additionally provides extra long eyepiece tubes for relaxed sitting position. Interpupillary distance at 2 viewing heights, adjustable from 5 mm to 75 mm | |
| Intermediate tubes | Intermediate phototubes S: manual or motorized, split 100/100 and/or 50/50, to left and/or right side Drawing intermediate tube S, Co-observation equipment S (provides stereoscopic coobservation) Y intermediate tubes S: manual or motorized (switch between stereo and 2D macro mode setting) Intermediate tube S, fixed 40mm (ergo component) | |
| Objectives | Achromat S 0,3x / 0,5x / 0,63x / 1x / 1,25x / 1,5x Plan S 1x PlanApo S 0,63x / 1x / 1,5x / 2.3x / 3,5x* mono (* for 2D macro mode only) | |
| Eyepieces | PL 10x/23 Br. foc., PL 10x/21 Br. foc. (economic), PL 16x/16 Br. foc., W 25x/10 foc* (* incl eyecups) | |
| Light Source | Fiberoptic light source: CL1500 Eco (150W halogen, 450 lm), CL6000 LED (600 lm), CL9000 LED (900 lm) Direct LED: VisiLED and EasyLED systems – ring, spot and transmitted light illuminators | |
| Fluorescence contrast | Intermediate LED tubes S (each for one dye); PentaFluar S illuminator for five dyes (coaxial excitation with fiberoptic light sources X-Cite 120/HXP120) | |
| Polarization kits | Polarizer S for transmitted light units + Analyzer S, turnable, for objective Polarizers for fiber optic or LED spot lights + Analyzer S, turnable, for objective Polarization filter sets S (incl polarizer, analyzer) for fiber optic or LED ring lights | |