

NAME: _____

PHONE: _____

SCHOOL/ORGANIZATION: _____

E-MAIL: _____

DEALER/REP: _____

SALES REP: _____ QUOTE: _____

STOR-EDGE™ CABINET GROUPINGS

Our Stor-Edge Cabinet Groupings are functional, durable and designed for multiple applications. With four common groupings available, these wall mounted and base cabinets can be configured to fit your space and solve your storage needs. Choose between several wood or laminate finish colors and apply custom branding to carry your brand throughout your area.

Custom cabinet sizes and configurations are available and can be ordered through our custom wall and base cabinet products.

STANDARD FEATURES:

- Available in wood or laminate finishes
- 1 Adjustable shelf in each cabinet
- 110° Euro hinges on doors
- Black wire pull handles
- Full extension drawers glides
- High pressure laminate countertop with backsplash
- Black toe-kick plate
- Mounting hardware not supplied
- Cabinets ship individually without countertop installed. Assembly and installation required on site.



SEMCG2



SEMCG3

SEMCG2



GROUPING #1:

□ SEMCG1

- Overall Dimensions:
49"W x 18"D x 36"H

(1) SEMCB-003-2D

- 24"W x 18"D x 36"H
- (1) Adjustable Shelf
- (2) Hinged Doors
- (2) 5.5" Drawers

(1) SEMCB-003

- 24"W x 18"D x 36"H
- (1) Adjustable Shelf
- (2) Hinged Doors

Qty _____



GROUPING #2:

□ SEMCG2

- Overall Top Dimensions:
36"W x 12"D x 24"H
- Overall Bottom Dimensions:
37"W x 18"D x 36"H

(1) SEMCB-001

- 18"W x 18"D x 36"H
- (1) Adjustable Shelf
- (1) Hinged Door
 - Right Hinged Door
 - Left Hinged Door

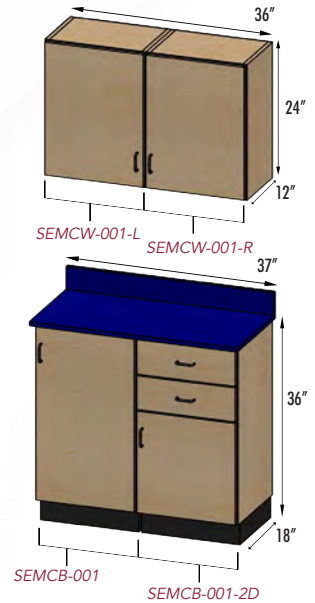
(1) SEMCB-001-2D

- 18"W x 18"D x 36"H
- (1) Adjustable Shelf
- (2) 5.5" Drawers
- (1) Hinged Door
 - Right Hinged Door
 - Left Hinged Door

(2) SEMCW-001

- 18"W x 12"D x 24"H
- (1) Adjustable Shelf
- (1) Hinged Door (1 Right Hinge & 1 Left Hinge)

Qty _____



GROUPING #3:

□ SEMCG3

- Overall Top Dimensions:
48"W x 12"D x 24"H
- Overall Bottom Dimensions:
49"W x 18"D x 36"H

(1) SEMCB-003-2D

- 24"W x 18"D x 36"H
- (1) Adjustable Shelf
- (2) Hinged Doors
- (2) 5.5" Drawers

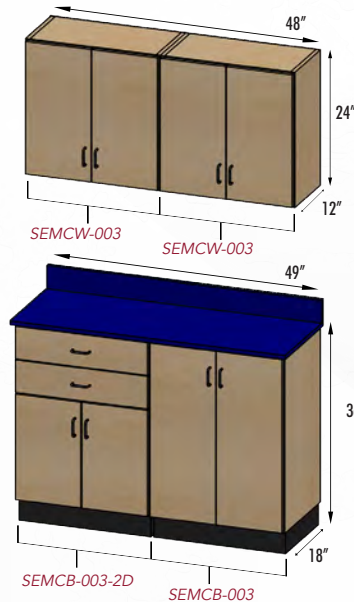
(1) SEMCB-003

- 24"W x 18"D x 36"H
- (1) Adjustable Shelf
- (2) Hinged Doors

(2) SEMCW-003

- 24"W x 12"D x 24"H
- (1) Adjustable Shelf
- (2) Hinged Doors

Qty _____



GROUPING #4:

□ SEMCG4

- Overall Top Dimensions:
48"W x 12"D x 24"H
- Overall Bottom Dimensions:
72"W x 18"D x 36"H

(1) SEMCB-003-1D

- 24"W x 18"D x 36"H
- (1) Adjustable Shelf
- (2) Hinged Doors
- (1) 5.5" Drawer

(1) SEMCB-003

- 24"W x 18"D x 36"H
- (1) Adjustable Shelf
- (2) Hinged Doors

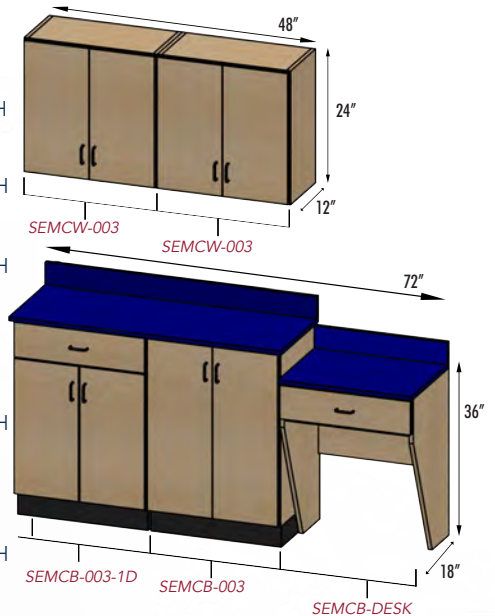
(2) SEMCW-003

- 24"W x 12"D x 24"H
- (1) Adjustable Shelf
- (2) Hinged Doors

(1) SEMCB-DESK

- (1) 5.5" Drawer





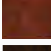


Qty _____





STOR-EDGE™ CABINET GROUPINGS

STANDARD LAMINATE CHOICES:

- | | |
|---|--|
| <input type="checkbox"/>  Oak | <input type="checkbox"/>  Grey |
| <input type="checkbox"/>  Maple | <input type="checkbox"/>  Storm Grey |
| <input type="checkbox"/>  Cherry Merlot | <input type="checkbox"/>  Harbor Grain |
| <input type="checkbox"/>  Espresso | <input type="checkbox"/>  Black |

STANDARD WOOD CHOICES:

- | | |
|---|---|
| <input type="checkbox"/>  Oak | <input type="checkbox"/>  Maple |
|---|---|

WOOD STAIN OPTION:

- Mod-Stain**

STANDARD COUNTERTOP CHOICES:

- | | |
|---|--|
| <input type="checkbox"/>  Brittany Blue | <input type="checkbox"/>  Royal Blue |
| <input type="checkbox"/>  Navy Blue | <input type="checkbox"/>  Red |
| <input type="checkbox"/>  Burgundy | <input type="checkbox"/>  Hunter Green |
| <input type="checkbox"/>  North Sea Grey | <input type="checkbox"/>  Slate Grey |
| <input type="checkbox"/>  Black | |

STAIN CHOICES:

- | | |
|---|--|
| <input type="checkbox"/>  Warm Copper | <input type="checkbox"/>  Rustic Fall |
| <input type="checkbox"/>  Deep Garnet | <input type="checkbox"/>  Warm Caramel |
| <input type="checkbox"/>  Fossil Gray | <input type="checkbox"/>  Black Beauty |
| <input type="checkbox"/>  Tungsten | <input type="checkbox"/> Custom Wood Stain Color |

CUSTOM BRANDING:

- Decal Custom Small**
Small Logo Decal
6"W x 6"H



- Decal Custom Large**
Large Logo Decal
12"W x 12"H



OPTIONS:

- Lock1004** - Lock on Single Door
- Lock Double Door** - Lock on Double Doors
- Lock1001** - Lock on Drawer (Not available with flush mount handles)
- TSFO-FHDR** - Flush Mount Handles on Drawers
- TSFO-FHD** - Flush Mount Handles on Doors
- TSFO-FHSD** - Flush Mount Handles - Single Door (18"W or 24"W)