

NAME: _____

PHONE: _____

SCHOOL/ORGANIZATION: _____

E-MAIL: _____

DEALER/REP: _____

SALES REP: _____ QUOTE: _____

STOR-EDGE™ MEDICAL WALL CABINETS



Our fully modular, cost effective Stor-Edge Medical Wall Cabinet line is functional, durable, aesthetically pleasing and designed for multiple applications. All cabinets are handcrafted in the US and are available in several wood or laminate choices. Choose to apply custom branding to carry your brand throughout your treatment area.

Our Stor-Edge Medical Wall cabinets are designed for use with our Stor-Edge Medical Base cabinets. Pair multiple cabinets together or ask about custom-built options for a fully functional treatment space.

Cabinets come standard with the same color laminate on the outside and inside of bases, as well as the doors and drawer fronts. Custom color options are available upon request. Mounting hardware not included.



SEMCW-007

STANDARD FEATURES:

- Available in wood or laminate finishes
- 1 Adjustable shelf in each cabinet
- 110° Euro hinges on doors
- Black wire pull handles
- Right or left hinges available on single door cabinets
- Mounting hardware not supplied

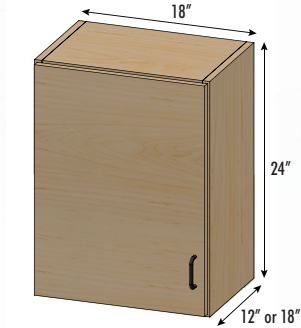


24" H CABINET CONFIGURATIONS:

SEMCW-001

- 18"W x 12"D x 24"H
- (1) Adjustable Shelf
- (1) Hinged Door

Qty _____



SEMCW-009

- 18"W x 18"D x 24"H
- (1) Adjustable Shelf
- (1) Hinged Door

Qty _____

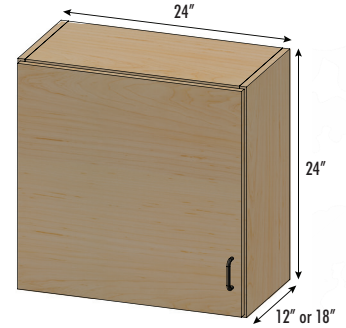
Right Hinged Door

Left Hinged Door

SEMCW-002

- 24"W x 12"D x 24"H
- (1) Adjustable Shelf
- (1) Hinged Door

Qty _____



SEMCW-010

- 24"W x 18"D x 24"H
- (1) Adjustable Shelf
- (1) Hinged Door

Qty _____

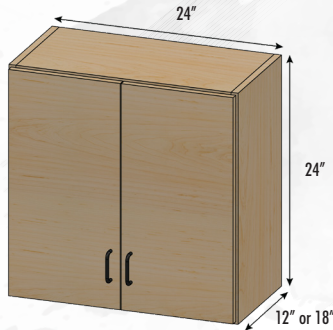
Right Hinged Door

Left Hinged Door

SEMCW-003

- 24"W x 12"D x 24"H
- (1) Adjustable Shelf
- (2) Hinged Doors

Qty _____



SEMCW-011

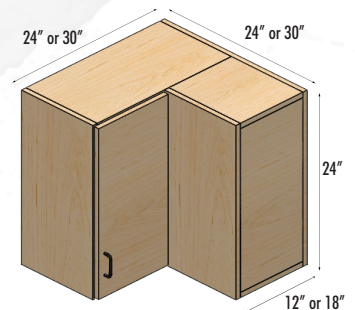
- 24"W x 18"D x 24"H
- (1) Adjustable Shelf
- (2) Hinged Doors

Qty _____

SEMCW-004

- 24"W x 12"D x 24"H
- "L" Corner Unit
- (1) Adjustable Shelf
- (1) Hinged Door

Qty _____



SEMCW-012

- 30"W x 18"D x 24"H
- "L" Corner Unit
- (1) Adjustable Shelf
- (1) Hinged Door

Qty _____

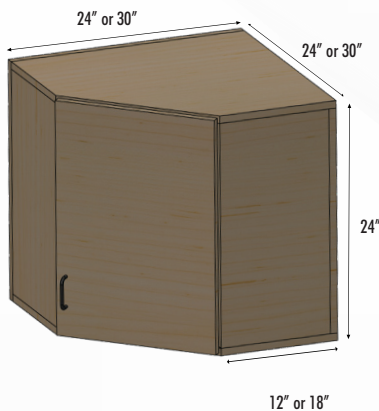
Right Hinged Door

Left Hinged Door

SEMCW-017

- 24"W x 12"D x 24"H
- Corner Unit
- (1) Adjustable Shelf
- (1) Hinged Door

Qty _____



SEMCW-019

- 30"W x 18"D x 24"H
- Corner Unit
- (1) Adjustable Shelf
- (1) Hinged Door

Qty _____

Right Hinged Door

Left Hinged Door

30" H CABINET CONFIGURATIONS:

SEMCW-005

- 18"W x 12"D x 30"H
- (1) Adjustable Shelf
- (1) Hinged Door

Qty _____



SEMCW-013

- 18"W x 18"D x 30"H
- (1) Adjustable Shelf
- (1) Hinged Door

Qty _____

Right Hinged Door

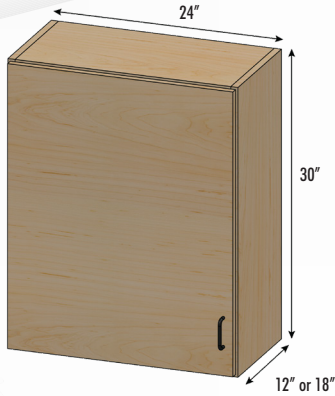
Left Hinged Door

30"H CABINET CONFIGURATIONS:

SEMCW-006

- 24"W x 12"D x 30"H
- (1) Adjustable Shelf
- (1) Hinged Door

Qty _____



SEMCW-014

- 24"W x 18"D x 30"H
- (1) Adjustable Shelf
- (1) Hinged Door

Qty _____

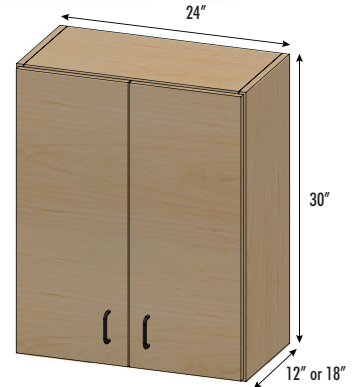
Right Hinged Door

Left Hinged Door

SEMCW-007

- 24"W x 12"D x 30"H
- (1) Adjustable Shelf
- (2) Hinged Doors

Qty _____



SEMCW-015

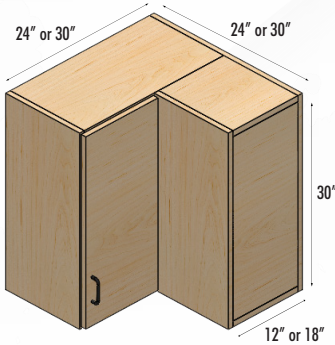
- 24"W x 18"D x 30"H
- (1) Adjustable Shelf
- (2) Hinged Doors

Qty _____

SEMCW-008

- 24"W x 12"D x 30"H
- "L" Corner Unit
- (1) Adjustable Shelf
- (1) Hinged Door

Qty _____



SEMCW-016

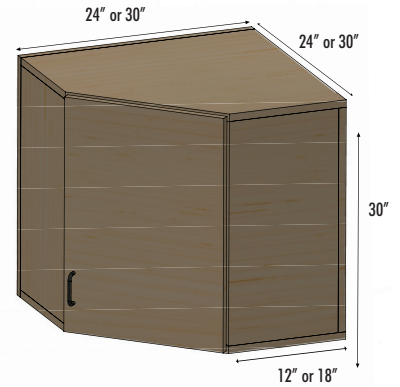
- 30"W x 18"D x 30"H
- "L" Corner Unit
- (1) Adjustable Shelf
- (1) Hinged Door

Qty _____

SEMCW-018

- 24"W x 12"D x 30"H
- Corner Unit
- (1) Adjustable Shelf
- (1) Hinged Door

Qty _____



SEMCW-020

- 30"W x 18"D x 30"H
- Corner Unit
- (1) Adjustable Shelf
- (1) Hinged Door

Qty _____

STANDARD LAMINATE CHOICES:

- | | |
|---|--|
| <input type="checkbox"/>  Oak | <input type="checkbox"/>  Grey |
| <input type="checkbox"/>  Maple | <input type="checkbox"/>  Storm Grey |
| <input type="checkbox"/>  Cherry Merlot | <input type="checkbox"/>  Harbor Grain |
| <input type="checkbox"/>  Espresso | <input type="checkbox"/>  Black |

STANDARD WOOD CHOICES:

-  **Oak**  **Maple**

WOOD STAIN OPTION:

- Mod-Stain**

CUSTOM BRANDING:

Decal Custom Small

Small Logo Decal
6"W x 6"H



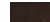




Decal Custom Large

Large Logo Decal
12"W x 12"H



STAIN CHOICES:

- | | |
|---|--|
| <input type="checkbox"/>  Warm Copper | <input type="checkbox"/>  Rustic Fall |
| <input type="checkbox"/>  Deep Garnet | <input type="checkbox"/>  Warm Caramel |
| <input type="checkbox"/>  Fossil Gray | <input type="checkbox"/>  Black Beauty |
| <input type="checkbox"/>  Tungsten | <input type="checkbox"/> Custom Wood Stain Color |

OPTIONS:

- | | |
|---|--|
| <input type="checkbox"/> Lock1004 - Lock on Single Door | <input type="checkbox"/> TSFO-FHD - Flush Mount Handles on Doors |
| <input type="checkbox"/> Lock Double Door - Lock on Double Doors | <input type="checkbox"/> TSFO-FHSD - Flush Mount Handles - Single Door (18"W or 24"W) |