



## GTech Centrifugal Separators for Maximum Efficiency

### Centrisys Partners with GTech Global Quantum High Speed Disc Separator

The latest Quantum high speed disc separators by GTech reinforces why the company has been the leading choice for quality and innovation for more than 30 years. Fast, durable and efficient, the Quantum disc separator sets the standard in industrial sectors where quality, performance and uptime are critical.



#### Made with Precision

To ensure ultimate performance the Quantum disc separator is built to ISO9001:2015 quality standards.



#### Designed for Performance

The Quantum high speed disc separator is belt-driven and mounted on a steel base with a 2205 stainless steel bowl and 316 stainless steel wetted parts. They're designed and built to perform in the most demanding applications. The Quantum Series Separators are engineered to operate for continuous 3-phase separation. The heavy liquid phase is discharged under pressure and uses a fully variable water-operated solids ejection system.

#### Typical Applications

- Fish press oil separation
- Fats and oils separation
- Industrial fluids cleaning
- Environmental

#### Service

We service most makes and models of high speed separators on the market.

- Including common Westfalia and Alfa Laval units
- Parts available for many common makes and models
- On-site field service including minor rebuilds
- Major rebuilds, including dynamic high speed balancing, at our repair shops in Wisconsin or Texas

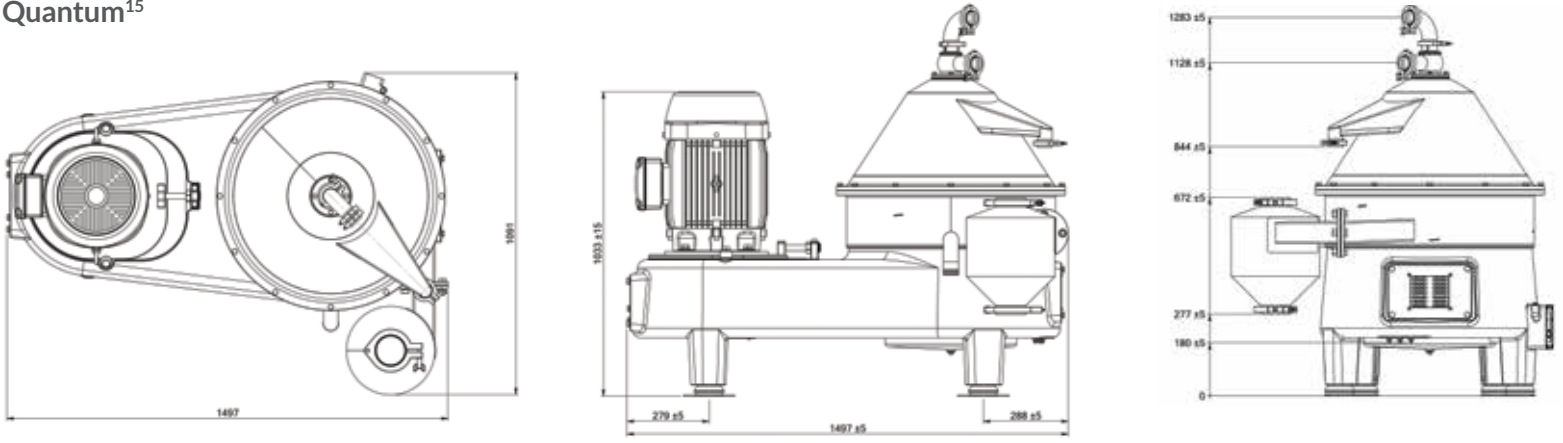
Distributor for:

**GTech**

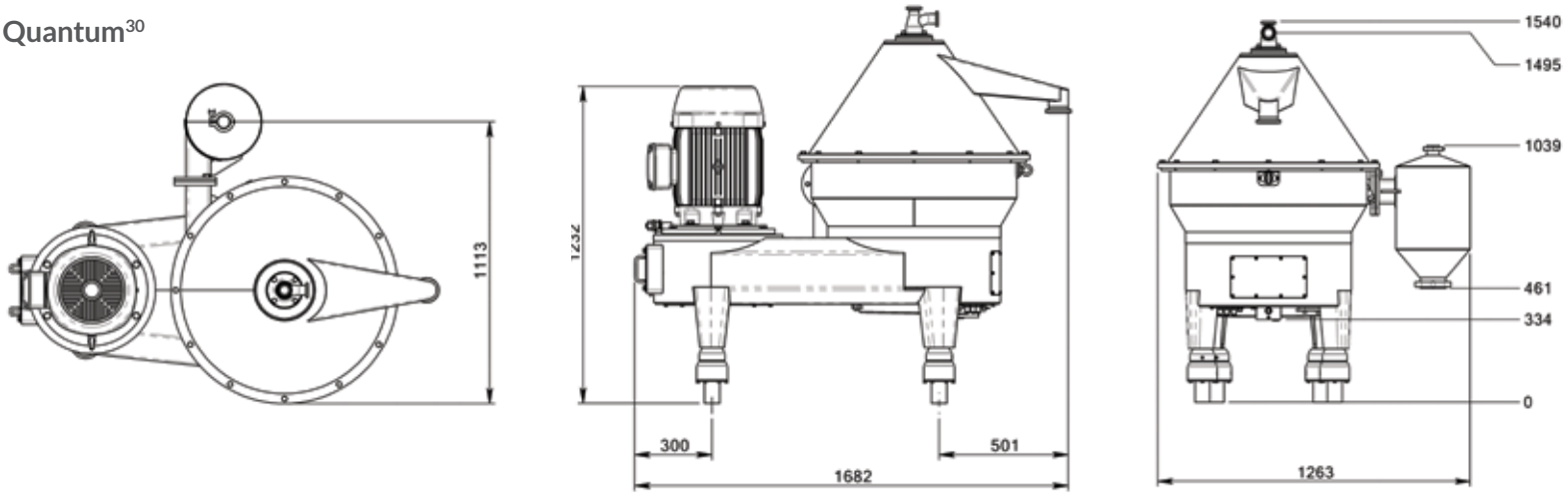


# EQUIPMENT: G-Tech Quantum High Speed Disc Separator

## Quantum<sup>15</sup>



## Quantum<sup>30</sup>



		Quantum <sup>15</sup>	Quantum <sup>30</sup>
Type		Self-Cleaning Purifier (3-phase)	Self-Cleaning Purifier (3-phase)
Operational Conditions	Ambient Temperature	32 °F-122 °F (0 °C-50 °C)	32 °F-122 °F (0 °C-50 °C)
	Product Temperature	Max 212 °F (100 °C)	Max 212 °F (100 °C)
Bowl	Bowl Material	2205 Stainless Steel [EN 1.4462]	2205 Stainless Steel [EN 1.4462]
	OD Bowl Diameter in (mm)	19 (483)	24.3 (618)
	Bowl Volume gal (L)	4 (15)	8 (30)
	Sludge Space gal (L)	0.87 (3.3)	1.43 (5.4)
	Seal Material	Nitrile and Nylon 6/6	Nitrile and Nylon 6/6
Electrical	Drive Motor HP (kW)	30 (22) 2 Pole	50 (37) 2 Pole
	Drive System	Flat Belt	Flat Belt
	Control Panel	Optional	Optional
	Instrumentation	Speed Sensor, Vibration Sensor, Low Oil Sensor	Speed Sensor, Vibration Sensor, Low Oil Sensor
Base and Covers	Wetted Parts	316 Stainless Steel	316 Stainless Steel
	Base	Epoxy Paint	Epoxy Paint
Connections	Feed Inlet	2" RJT	2" RJT
	Light Liquid Phase	2" RJT	3" RJT
	Heavy Liquid Phase	2" RJT	2" RJT
	Solids	4" RJT	4" RJT
Performance	Max Speed RPM	6,500	5,125
	Max Acceleration G-force	9,660	7,520
	Capacity* gal/min (L/hr)	22 (5,000)	44 (10,000)
Weight [Approx.] lbs (kgs)		2,535 (1,150)	2,866 (1,300)

\*Product and process dependent.

9586 58th Place | Kenosha, WI 53144 USA | +1 (262) 654-6006 | info@centrisys-cnp.com  
 North America | South America | Europe | Middle East | China

