

SUPRASTAR FOR KITCHEN



emuca 
where creation begins

SUPRASTAR

Make the most of your space with efficient solutions for storage and equipment in your kitchen.



Index



**ARTICULATED
CORNER** 5



**PULL-OUT
BOTTLE RACK** 6



PULL-OUT TROLLEY 9



DISH DRAINER 10

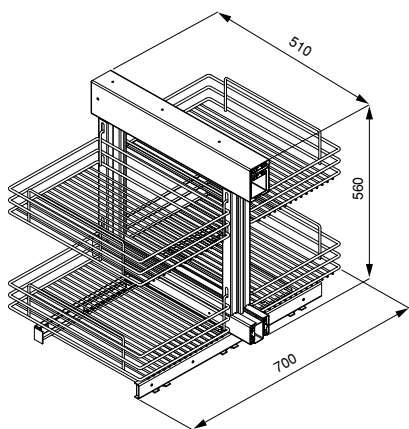


LAUNDRY BASKET 13



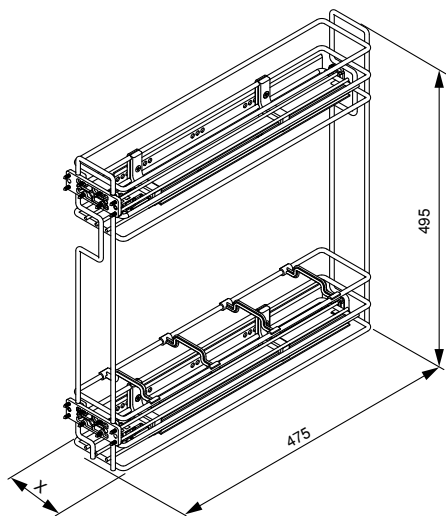
Articulated corner

option	packaging	Cod.
LEFT	1 UN	8977011
RIGHT	1 UN	8977111



Extractable bottle rack

X	option	packaging	Cod.
106	150	1 UN	8977411
150	200	1 UN	8977611

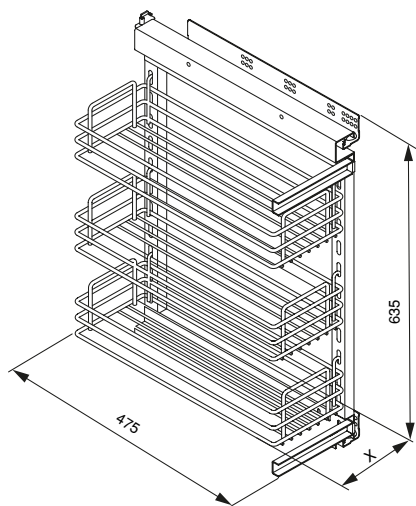






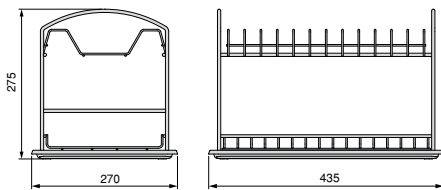
Pull-out trolley

X	option	packaging	Cod.
200	300	1 UN	8977811
310	400	1 UN	8977911



Dish drainer

packaging	Cod.
1 UN	8939411

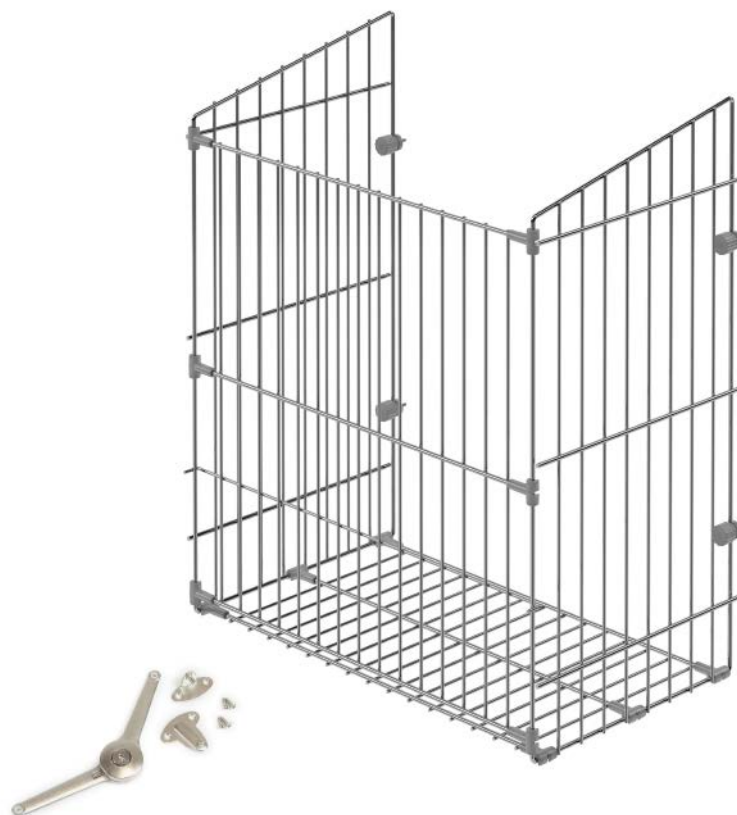
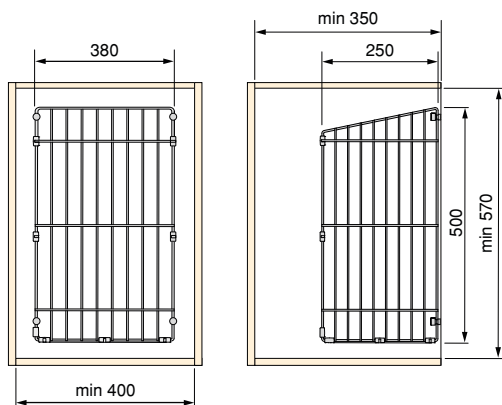






Laundry basket

packaging	Cod.
1 UN	8978011









Emuca S.R.L

Via Messico, 80 • 35127 Padova (ITALIA)
T. +39 049 8702800 • F. +39 049 87 03019
www.emuca.it

Emuca Ltd.

75 Springfield Road • Chelmsford • Essex
CM2 6JG (UK)
T. +44 1268 530 674 • F. +44 1268 282 592
www.emuca.co.uk

Emuca S.A.

Pl. El Oliveral - c/H, 4 • Apartado de correos 176
46394 Riba-Roja del Túria • Valencia (ESPAÑA)
T. +34 96 166 70 19 • F. +34 96 166 71 82
www.emuca.es

Emuca S.A.R.L

Parc de l'Aubinière • 2 Avenue des Améthystes
44338 Nantes Cedex 03 (FRANCE)
T. +33 2 49 88 07 35 • F. +33 2 72 22 02 24
www.emuca.fr

Emuca Lda.

AV. da Liberdade n° 38, 4° • 1250-145 Lisboa (PORTUGAL)
T. +351 211 203 940 • F. +34 96 166 71 82
www.emuca.pt

11/2021

