

V200P/V210P Volumetric polymer piston meters

Product Specification

- Volumetric piston meters for cold water
- Nominal value Q_3 2.5/4 m³ /h
- EC-type certification (MID) to R400
- Installation in any position
- Lead-free, light and corrosion-resistant
- Quiet operation
- Anti-misting counter mechanism: IP68
- Communication interface without magnetic influence

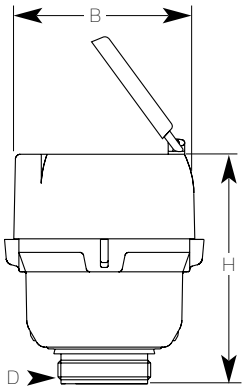


COUNTER TYPE		V200P	V210P	V200P
COUNTER SIZE / PERMANENT FLOW RATE*	Q_3 m ³ /h	2.5	2.5	4.0
NOMINAL WIDTH	DN mm	15	15	20
	DN inch	1/2	1/2	3/4
DIMENSIONS				
D COUNTER CONNECTION THREAD	ISO 228/1 inch	G 3/4" A	G 1 1/2" A	G 1" A
SCREW CONNECTION THREAD	ISO 7/1 inch	R 1/2	–	R 3/4
L LENGTH, STANDARD	mm	110, 115, 134, 165, 170	–	165, 190
B COUNTER DIAMETER	mm	95	95	103
H HEIGHT	mm	125	128	149
WEIGHT	approx. kg	0.57 (165 mm)	0.48	0.88 (190 mm)
PERFORMANCE DATA				
OVERLOAD FLOW RATE	Q_4 m ³ /h	3.1	3.1	5.0
TRANSITIONAL FLOW RATE	Q_2 l/h	10	10	16
MINIMUM FLOW RATE	Q_1 l/h	6.3	6.3	12.7
START-UP	l/h	0.5	0.5	2
MEASURING RANGE	Q_3/Q_1	R400	R400	R315
PERMANENT FLOW RATE	Q_3 l/h	2500	2500	4000
TEMPERATURE CLASS MAT	T_{max} °C	30	30	30
PRESSURE CLASS MAP	PN	16	16	16
APPROX CAPACITY WITH 1 BAR PRESSURE LOSS	m ³ /h	3.7	3.7	5.2

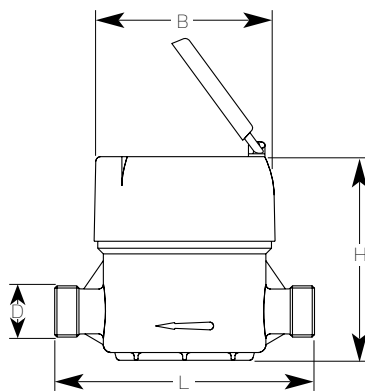
* $Q_3 = 2.5$ corresponds to nominal value Q_n 1.5; $Q_3 = 4.0$ corresponds to nominal value Q_n 2.5

DIMENSIONAL DRAWING

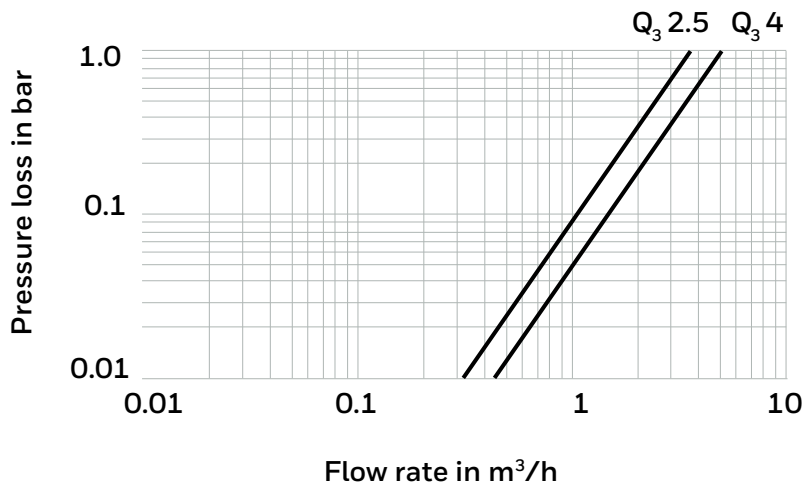
V210P



V200P



V200P



V210P with concentric connection for subsurface chambers

RETROFITTABLE COMMUNICATION MODULES

FALCON PULSE MODULE	PR6
FALCON RADIO MODULE	TPR6 RF
FALCON M-BUS MODULE PER DIN EN 1434	PR6 M



For technical data see data sheet Falcon_D_14.04

AUCKLAND
8 BEATRICE TINSLEY CRES
ROSEDALE 0632
PO BOX 302-248, NORTH HARBOUR
AUCKLAND 0751
T: (09) 444 2350 F: (09) 444 3085

HAMILTON
1/21 RAILSIDE PLACE
DINSDALE 3204
PO BOX 230
FRANKTON 3242
T: (07) 846 0602 F: (07) 846 0604

WELLINGTON HEAD OFFICE
137 THORNDON QUAY
WELLINGTON 6011
PO BOX 3749
WELLINGTON 6140
T: (04) 472 7614 F: (04) 472 7658

CHRISTCHURCH
UNIT 4, 89 VICKERYS ROAD
WIGRAM 8042
PO BOX 11 033, SOCKBURN
CHRISTCHURCH 8443
T: (03) 379 2628 F: (03) 379 2627