

# Q4000B

## Product Specification

SPECIFICATIONS	
BATTERY PACK LIFE	DN50-100: 10 years DN125-150: 7 years DN200-300: 5 years
POWER SOURCE	Lithium cells in each battery pack
SAMPLING RATE	0.5 seconds
FLUID CONDUCTIVITY	50 $\mu$ S/cm
OPERATING TEMPERATURE	-10°C to +55°C
WATERPROOF STRUCTURE	IP 68
WORKING PRESSURE	16 bar
SIZES	50mm to 300mm
SUITABLE FOR FLANGES DRILLED	BS4504 PN10, PN16 DIN2533, ASA150

### OPERATION

The Q4000 uses electromagnetic measuring principles to calculate the volume of fluid passed through the flow-tube. A fast sampling rate is permanently used to ensure that every drop is accurately measured, even at very low flow rates.

### INSTALLATION

The Q4000 features an innovative flangeless design that enables simple adaptation to suit a wide range of pipe flange drillings. Installation is so simple, with no complex commissioning, no earthing rings – just fit-and-go!

### BATTERY PACK

The Q4000 replaceable battery version allows users to extend the meter life through changing the battery power pack in the field at the end of it's life. Battery pack life ranges between 5-10 years according to DN. Battery life is quoted at ambient temperature of 30°C.

### OUTPUTS

The Q4000 can be fitted with a pulse output featuring a variety of different output options and alarms. Alternatively, a remote display unit can be connected, this unit also features pulse outputs for connection of ancillary devices including AMR and data-loggers. Connecting the pulser or remote unit can be done at any time, and requires no complex commissioning.



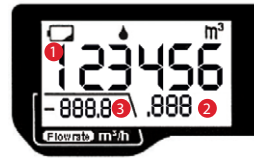
### KEY FEATURES

- Ideal for hot climate applications which are demanding on battery power.
- Extends meter life far beyond normal 10 year span.
- No need for multiple battery changes like some competitors, just one battery change gives up to 20 years battery life.
- 0.5 second sampling rate for the highest accuracy.

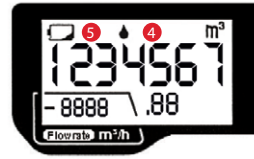
## DISPLAY FUNCTIONS

1. The net volume of water measured is permanently displayed in units of m<sup>3</sup>.
2. The sub-units of m<sup>3</sup> (test dials) are permanently displayed.
3. The flow rate is permanently displayed in forward or reverse; minus sign will be displayed for reverse flow.
4. The no water / measurement stopped indicator will display if there is no conductivity between the electrodes (eg empty pipe).
5. The meter low battery will flash when there is approximately three months working life remaining. After this time it is displayed permanently to indicate measurement has stopped and the time elapsed is shown in the flow rate display. After this time the battery pack must be replaced to continue operation.

## 6 FIG DISPLAY FOR: DN50-100



## 7 FIG DISPLAY FOR: DN125-300



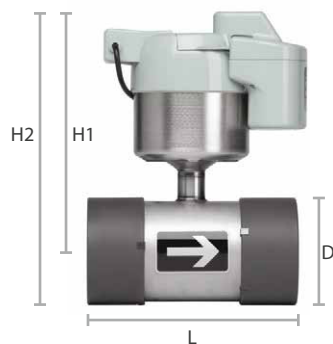
## FLOW PERFORMANCE TO CEN PR14154, ISO4064, OIML R49 (LOW FLOW OPTION)

PIPE SIZE (MM)		50	50	65	80	100	125	150	200	250	300	
MINIMUM FLOW Q1	m <sup>3</sup> /h	0.10	0.10	0.16	0.25	0.40	0.63	1.0	1.6	2.5	2.5	
TRANSITIONAL FLOW Q2	m <sup>3</sup> /h	0.16	0.16	0.26	0.40	0.64	1.0	1.6	2.6	4	4	
PERMANENT FLOW Q3	m <sup>3</sup> /h	40	40	63	100	160	250	400	630	1000	1000	
MAXIMUM FLOW Q4	m <sup>3</sup> /h	50	50	79	125	200	313	500	788	1250	1250	
MAXIMUM REGISTRATION	m <sup>3</sup>	999999.999						999999.99				
METER WEIGHT	kg	4.5	4.5	5	5.5	6.5	7.5	9.5	15	55	75	
PRESSURE LOSS AT Q3	bar	< 0.63 bar			< 0.2 bar					< 0.63 bar		

## FLOW PERFORMANCE TO CEN PR14154, ISO4064, OIML R49 (HIGH FLOW OPTION)

PIPE SIZE (MM)		50	65	80	100	125	150	200	
MINIMUM FLOW Q1	m <sup>3</sup> /h	0.16	0.25	0.4	0.63	1	1.6	2.5	
TRANSITIONAL FLOW Q2	m <sup>3</sup> /h	0.26	0.4	0.64	1	1.6	2.6	4	
PERMANENT FLOW Q3	m <sup>3</sup> /h	63	100	160	250	400	630	1000	
MAXIMUM FLOW Q4	m <sup>3</sup> /h	79	125	200	313	500	788	1250	
MAXIMUM REGISTRATION	m <sup>3</sup>	999999.999						999999.99	
METER WEIGHT	kg	5	6	6.5	7.5	9.5	15	20	
PRESSURE LOSS AT Q3	bar	< 0.2 bar							

## METER DIMENSIONS (MM)



This product contains lithium batteries which must be disposed of by a qualified disposal agency. Under no circumstances should they be crushed or incinerated.

DN	L	D	H1	OVERALL HEIGHT H2
50	200	102	230	281
65	200	121	240	301
80	200	133	245	312
100	250	159	258	338
125	250	190	273	368
150	300	216	288	396
200	350	272	317	453
250	450	267	319	453
300	500	267	319	453

# Honeywell

Wafer fitting for DN50-200 and flange fitting for DN250-300.

Pressure equipment directive 97/23/EC.

This product is applicable in networks for the supply, distribution and discharge of water and associated equipment and is therefore exempt.

**ADR**  
Arthur D Riley & Co Ltd

fieldsmart technology



**ADRwater**

**AUCKLAND**  
8 BEATRICE TINSLEY CRES  
ROSEDALE 0632  
PO BOX 302-248, NORTH HARBOUR  
AUCKLAND 0751  
T: (09) 444 2350 F: (09) 444 3085

**HAMILTON**  
1/21 RAILSIDE PLACE  
DINSDALE 3204  
PO BOX 230  
RAGLAN 3265  
T: (07) 846 0602 F: (07) 846 0604

**WELLINGTON HEAD OFFICE**  
137 THORNDON QUAY  
WELLINGTON 6011  
PO BOX 3749  
WELLINGTON 6140  
T: (04) 472 7614 F: (04) 472 7658

**CHRISTCHURCH**  
UNIT 4, 89 VICKERYS ROAD  
WIGRAM 8042  
PO BOX 11 033, SOCKBURN  
CHRISTCHURCH 8443  
T: (03) 379 2628 F: (03) 379 2627