

M 190 Multi-jet meter

Dry-dial meter for warm water

- Nominal size Q_3 2.5 to 25 m³/h
- EU-type examination certificate up to R80
- Hard bearings on impeller and magnet drive
- Register resistant against ultraviolet light
- Prepared for retrofit pulse unit
- conText®-marking system

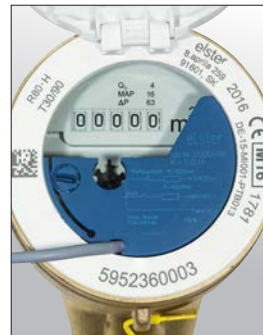
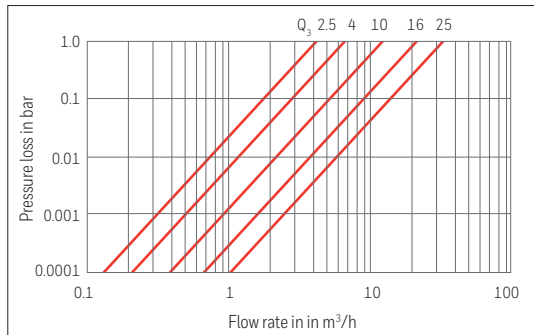


EU-type examination certificate
DE-15-MI001-PTB013

Performance characteristics

Nominal size	DN	mm inches	15	20	25	25	32	40	50
			½	¾	1	1	1¼	1½	2
Continuous flow	Q_3	m ³ /h	2.5	2.5	4	6.3	10	16	25
Overload flowrate	Q_4	m ³ /h	3.125	3.125	5	7.875	12,5	20	31.25
Transitional flowrate	Q_2	l/h	50	50	80	126	200	320	500
Minimum flowrate	Q_1	l/h	31.25	31.25	50	78.75	125	200	312.5
Measuring range	Q_3/Q_1		R80						
Temperature class		°C	T30/90						
Maximum working pressure	MAP	bar	16						
Flow capacity at 1 bar pressure loss		m ³ /h	4.1	6.8	8.5	13.1	21.6	32.8	
Pressure loss class	Δp	bar	0.63						
Flow profile sensitivity class			U0, D0						
Installation position			horizontal						
Installation location			open / closed						
Climatic environment			5 °C to 70 °C, condensing / non-condensing						
Mechanical environment			M1						
Electromagnetic environment			E1						

M 190 Multi-jet meter Technical Data



Reed Disc with tamper detection	
Type	Reedswitch potted, protection IP 68
Contact load	max. 24 V DC, 50 mA
Resistance	100 Ohm
Cable	3 x 0,14 mm ² Ø 3.3 mm
Pulse contact	brown - white
Tamper contact	green - white
Cable length	3 m

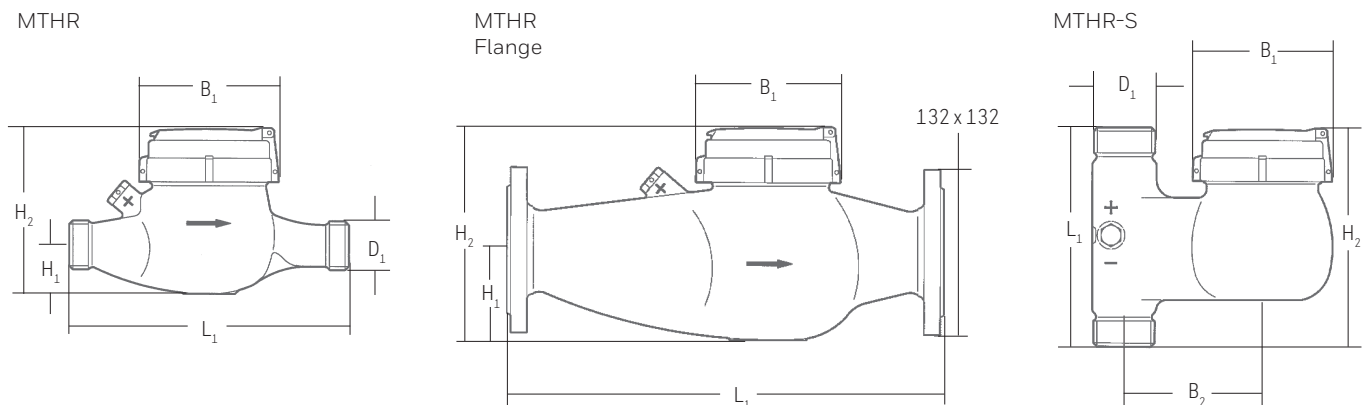
Register pre-equipped for Reed Disc
Pulse weight: 100 l (1000 l on request)

Register with mounted Reed Disc

Dimensions

Nominal size	DN	mm	MTHR					MTHR-S		
			20	25	40	50	20	25	40	
D ₁ Meter connection thread	ISO 228/1	inches	G 1 B	G 1 ¼ B	G 2 B	G 2 ½ B	Flange	G 1 B	G 1 ¼ B	G 2 B
Connection pipe thread	ISO 7/1	inches	R ¾	R 1	R 1 ½	R 2	—	R ¾	R 1	R 1 ½
L ₁ Length (other on request)		mm	190	260	300	270		105	150	200
B ₁ Width		mm	100							
Overall width		mm	100	100	122	125	165	100	100	119
B ₂ Distance pipe axis to meter axis		mm	—	—	—	—	—	80	94	120
H ₁ Centerline height		mm	31	43	46	68	—	—	—	—
H ₂ Overall height		mm	115	130	153	160	135	151	195	
Weight		kg	1.5	2.5	3.7	4.5	8.5	1.8	2.6	5.5

Dimensional drawing



fieldsmart technology



ADRwater Honeywell

AUCKLAND
8 BEATRICE TINSLEY CRES
ROSDALE 0632
PO BOX 302-248, NOTH HARBOUR
AUCKLAND 0751
T: (09) 414 3763 F: (09) 414 3085

HAMILTON
1/21 RAILSIDE PLACE
DINSDALE 3204
PO BOX 230
RAGLAN 3265
T: (07) 846 0602 F: (07) 846 0604

WELLINGTON HEAD OFFICE
137 THORNDON QUAY
WELLINGTON 6011
PO BOX 3749
WELLINGTON 6140
T: (04) 4916 6200

CHRISTCHURCH
UNIT 4, 89 VICKERYS ROAD
WIGRAM 8042
PO BOX 11 033, SOCKBURN
CHRISTCHURCH 8443
T: (03) 379 2628 F: (03) 379 2627