

ENTEC 25.8kV 630A Load Break Switch



Solid Insulated Pole Mount Load Break Switch with Vacuum Interruption

- ✓ Vacuum technology, no SF6 or Oil
- ✓ Rated 25.8kV, 630A, 150kV BIL – Ex Stock
- ✓ Hot stick, local and remote operation
- ✓ Lockout via hot stick
- ✓ Pole mount brackets available
- ✓ Multifunction control with integral RTU
- ✓ Built in Source side CT's & VT's
- ✓ Built in Load side VT's
- ✓ Outdoor rated cycloaliphatic resin
- ✓ Outdoor rated stainless steel throughout
- ✓ Ultra Low maintenance
- ✓ SCADA kit options available
- ✓ ENTEC reliability, 10 years + in the New Zealand Market

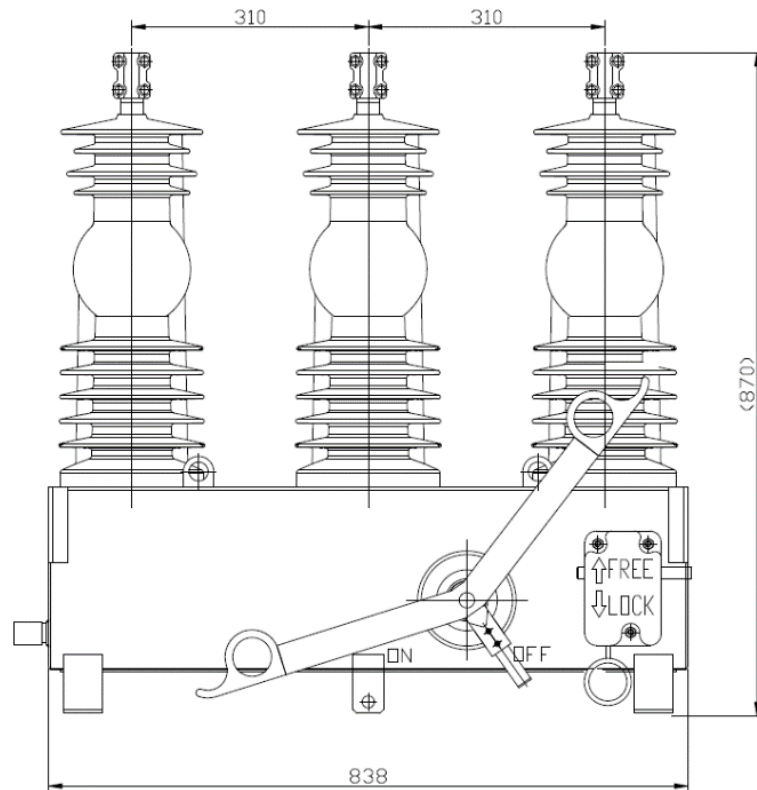
AUCKLAND
8 BEATRICE TINSLEY CRES
ROSEDALE 0632
PO BOX 40-258, GLENFIELD
AUCKLAND 0747
T: (09) 444 2350 F: (09) 444 3085

HAMILTON
1/21 RAILSIDE PLACE
DINSDALE 3204
PO BOX 230
RAGLAN 3265
T: (07) 846 0602 F: (07) 846 0604

WELLINGTON HEAD OFFICE
137 THORNDON QUAY
WELLINGTON 6011
PO BOX 3749
WELLINGTON 6140
T: (04) 472 7614 F: (04) 472 7658

CHRISTCHURCH
4/89 VICKERY'S ROAD
WIGRAM 8042
PO BOX 11-033, SOCKBURN
CHRISTCHURCH 8443
T: (03) 379 2628

25.8 kV Solid Dielectric Load Break Switch



- Solid insulation
- Vacuum interruption
- Rated voltage 25.8kV
- Rated current 630A
- Impulse 150kV BIL
- Short time current : 12.5kA
- AC Power frequency 60kV / min.
- Source side CT
- Resistive Source & Load side voltage sensors
- Spring Charged mechanism
- Hot stick, local and remote operation
- Manual Inter-Lock
- Fully welded stainless steel mechanism box
- Stainless steel hardware
- Wildlife guards

ETMFC610 – Advanced Multifunction Control



- Simultaneous SCADA and Engineering access
- Advanced communications
- USB Type B front panel port for local programming
- Side panel 2x RJ45 & 2x RS232
- Auxiliary I/O
- Switch, Loop control, Tie Switch or Sectionalizer
- Sync check
- Event recorder
- Local LCD Display
- DNP3 & Modbus
- Remote Enabled button
- Electrical lockout
- Six setting profiles
- Stainless steel cabinet
- Operation manual, comm's lead and software included
- SCADA upgrades hardware available for remote operation

AUCKLAND
8 BEATRICE TINSLEY CRES
ROSEDALE 0632
PO BOX 40-258, GLENFIELD
AUCKLAND 0747
T: (09) 444 2350 F: (09) 444 3085

HAMILTON
1/21 RAILSIDE PLACE
DINSDALE 3204
PO BOX 230
RAGLAN 3265
T: (07) 846 0602 F: (07) 846 0604

WELLINGTON HEAD OFFICE
137 THORNDON QUAY
WELLINGTON 6011
PO BOX 3749
WELLINGTON 6140
T: (04) 472 7614 F: (04) 472 7658

CHRISTCHURCH
4/89 VICKERYS ROAD
WIGRAM 8042
PO BOX 11-033, SOCKBURN
CHRISTCHURCH 8443
T: (03) 379 2628