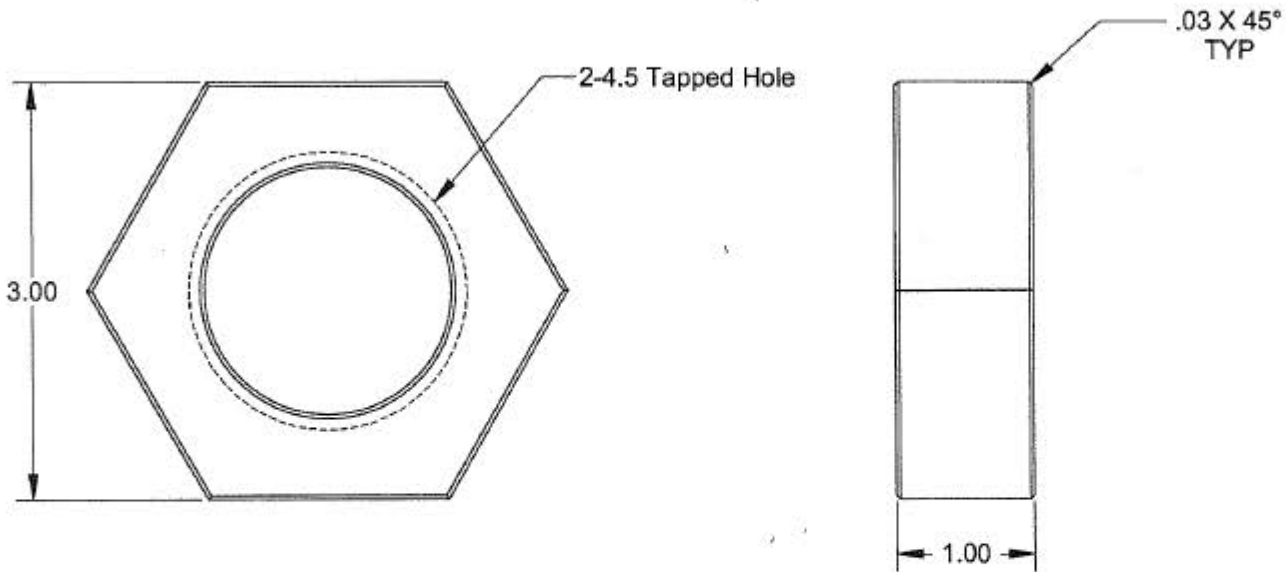


NOTES:

1. PART TO BE MACHINED OUT OF SOLID BAR STOCK
2. ALL CHAMFERS TO BE .030" X 45° UNLESS OTHERWISE NOTED



		316 STAINLESS STEEL BAR STOCK		
QTY	PART NUMBER	ITEM DESCRIPTION	ITEM	
	PARTS LIST			

REV	E.C.R. NO.	REVISION DESCRIPTION	REV BY	DATE	CHK BY	DATE	APPR BY	DATE
A		ORIGINAL RELEASE						

SURFACE TREATMENT	NONE	EXCEPT AS NOTED: ALL CORNERS MUST BE AS FOLLOWS INSIDE: 1.3 X 45° OR 1.3 R MAX. OUTSIDE: 9.8 X 45° OR 1.3 R	EXCEPT AS NOTED: ALL DIMENSIONS IN METRIC TOLERANCE DECIMAL Ø ±0.8 .00 ±0.4 .000 ±0.13 .0006 ±0.013 ANGULAR ±0°30'
HEAT TREATMENT	NONE		
FIRST USED ON	TRAINING	EXCEPT AS NOTED: WELDING TOLERANCE MUST BE AS FOLLOWS ±1	THIRD ANGLE PROJECTION

HURCO

HURCO COMPANIES, INC. INDIANAPOLIS, IN 46268 U.S.A.

DESCRIPTION					
Hex Nut					
DRAWN	DATE	CHECKED	DATE	APPROVED	DATE
BMK	11/10/11				
SCALE	SIZE	DRAWING	SMT	REV.	
1:1	B	Hex Nut	1	A	
SMT OF			1		
PC					