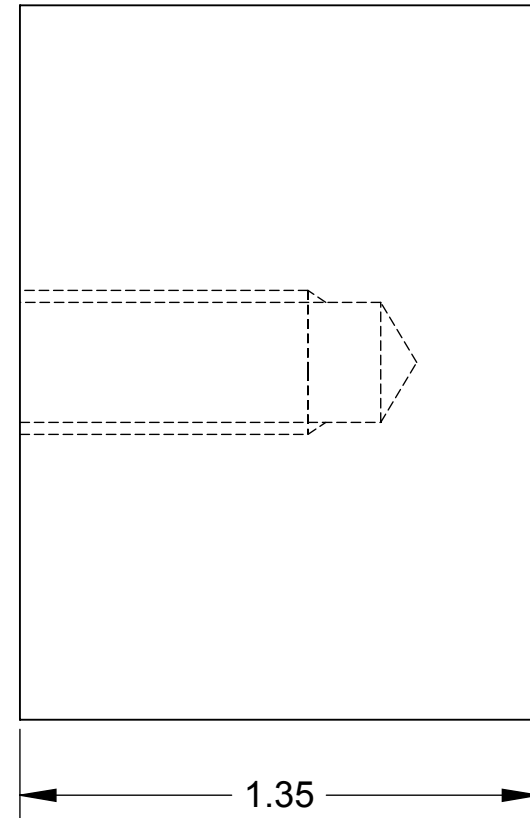
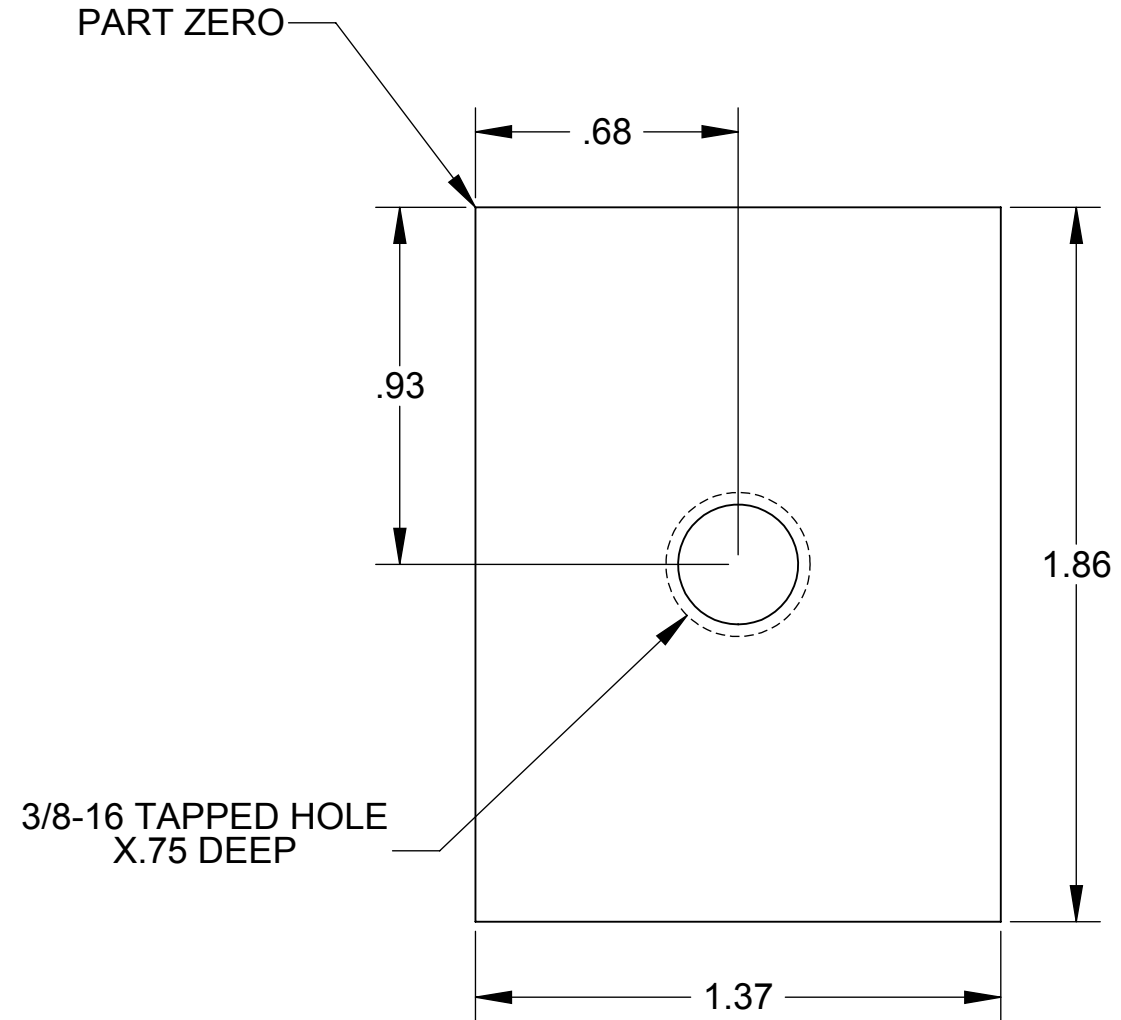


TOOL LIST  
 1/8 CENTER DRILL  
 5/16 DRILL  
 3/8-16 TAP



.	.	1.35x1.368x1.86 1045 CRS	.
QTY	PART NUMBER	ITEM DESCRIPTION	ITEM

REV	E.C.N. NO.	REVISION DESCRIPTION	REV BY	DATE	CHK BY	DATE	APPD BY	DATE
A	.	ORIGINAL RELEASE						

SURFACE TREATMENT	NONE	EXCEPT AS NOTED: ALL CORNERS MUST BE AS FOLLOWS INSIDE: 1.3 X 45° OR 1.3 R MAX. OUTSIDE: 0.8 X 45° OR 1.3 R	EXCEPT AS NOTED: ALL DIMENSIONS IN METRIC TOLERANCE DECIMAL .0 ±0.8 .00 ±0.4 .000 ±0.13 .0000 ±0.013 ANGULAR ±0°30'
HEAT TREATMENT	NONE		
FIRST USED ON	APPS	EXCEPT AS NOTED: WELDING TOLERANCE MUST BE AS FOLLOWS ±3	THIRD ANGLE PROJECTION 

HURCO COMPANIES, INC. INDIANAPOLIS, IN 46268 U.S.A.

DESCRIPTION					
<b>BLOCK, PIVOT</b>					
DRAWN	DATE	CHECKED	DATE	APPROVED	DATE
BMK	12/16/11	.	.	.	.
SCALE	SIZE	DRAWING		SHT	REV.
2:1	B	INTRO-7		1	A
UNIT OF MEAS.	PC			OF	1