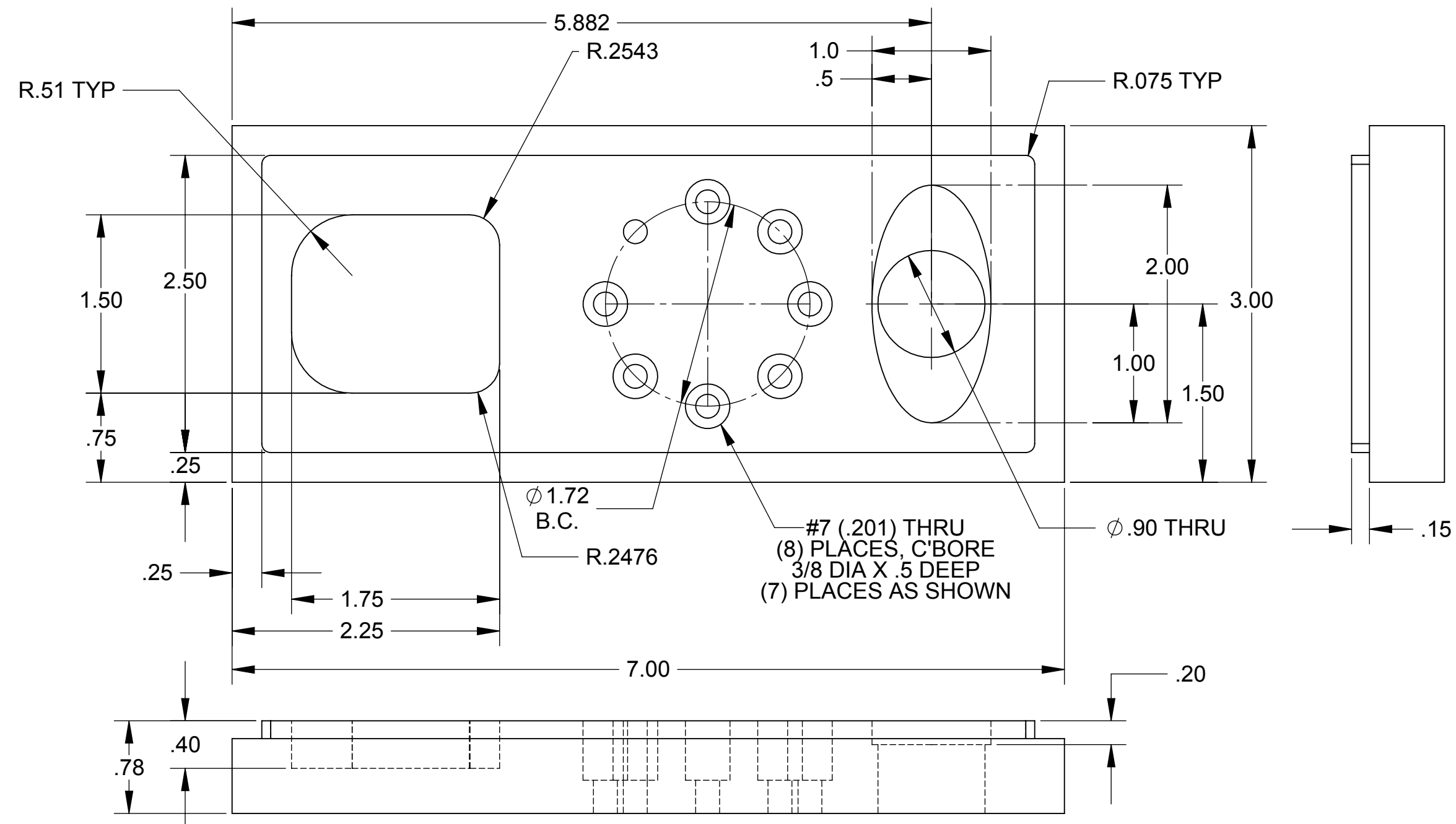


TOOL LIST
 .201" DRILL
 3/8" END MILL



		.78x3x7 WAX		
QTY	PART NUMBER	ITEM DESCRIPTION	ITEM	
		PARTS LIST		

REV	E.C.N. NO.	REVISION DESCRIPTION	REV BY	DATE	CHK BY	DATE	APPD BY	DATE
A		ORIGINAL RELEASE						

SURFACE TREATMENT	NONE	EXCEPT AS NOTED: ALL CORNERS MUST BE AS FOLLOWS	EXCEPT AS NOTED: ALL DIMENSIONS IN METRIC TOLERANCE DECIMAL
HEAT TREATMENT	NONE	INSIDE: 1.3 X 45° OR 1.3 R MAX. OUTSIDE: 0.8 X 45° OR 1.3 R	.0 ±0.8 .00 ±0.4 .000 ±0.13 .0000 ±0.013 ANGULAR ±0°30'
FIRST USED ON	APPS	EXCEPT AS NOTED: WELDING TOLERANCE MUST BE AS FOLLOWS ±3	THIRD ANGLE PROJECTION

HURCO®

HURCO COMPANIES, INC. INDIANAPOLIS, IN 46268 U.S.A.

DESCRIPTION					
PLATE, RAM					
DRAWN	DATE	CHECKED	DATE	APPROVED	DATE
BMK	12/16/11				
SCALE	SIZE	DRAWING		SHT	REV.
1:1	A3	INTRO-30		1	A
UNIT OF MEAS.				OF	
PC				1	