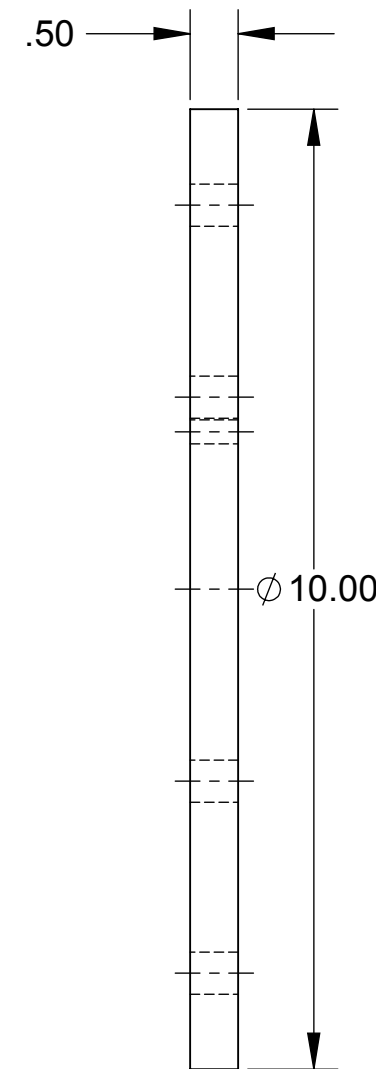
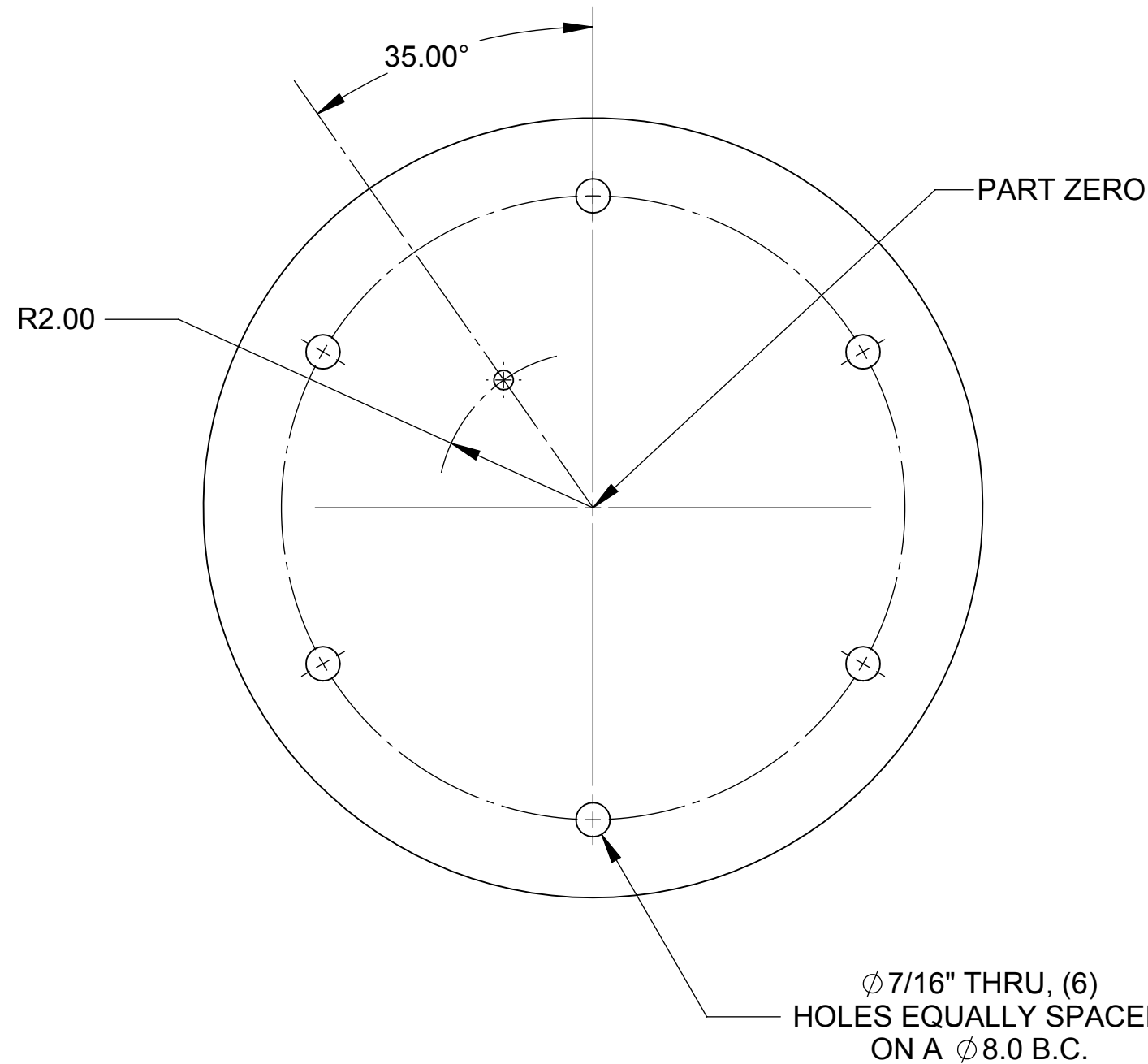


PROPRIETARY INFORMATION
 INFORMATION CONTAINED HEREIN IS THE PROPERTY OF HURCO COMPANIES, INC. NO REPRODUCTION OR DISCLOSURE OF THIS INFORMATION SHALL BE MADE BY THE RECIPIENT TO ANY OTHER PERSON OR ORGANIZATION WITHOUT THE PRIOR WRITTEN CONSENT OF HURCO COMPANIES, INC.

TOOL LIST

1/8 CENTER DRILL
 1/4 DRILL
 7/16 DRILL



		.5x10 DIA GRAY CAST IRON	
QTY	PART NUMBER	ITEM DESCRIPTION	ITEM

REV	E.C.N. NO.	REVISION DESCRIPTION	REV BY	DATE	CHK BY	DATE	APPD BY	DATE
A	.	ORIGINAL RELEASE						

SURFACE TREATMENT		EXCEPT AS NOTED: ALL CORNERS MUST BE AS FOLLOWS		EXCEPT AS NOTED: ALL DIMENSIONS IN METRIC TOLERANCE		 HURCO COMPANIES, INC. INDIANAPOLIS, IN 46268 U.S.A.			
NONE		INSIDE: 1.3 X 45° OR 1.3 R MAX.		DECIMAL .0 ±0.8 .00 ±0.4 .000 ±0.13 .0000 ±0.013 ANGULAR ±0°30'					
HEAT TREATMENT		OUTSIDE: 0.8 X 45° OR 1.3 R		THIRD ANGLE PROJECTION		DESCRIPTION			
NONE						PLATE, INDEX			
FIRST USED ON		EXCEPT AS NOTED: WELDING TOLERANCE MUST BE AS FOLLOWS				SCALE		DRAWING	
APPS		±3		1:2		INTRO-10		1 OF 1	