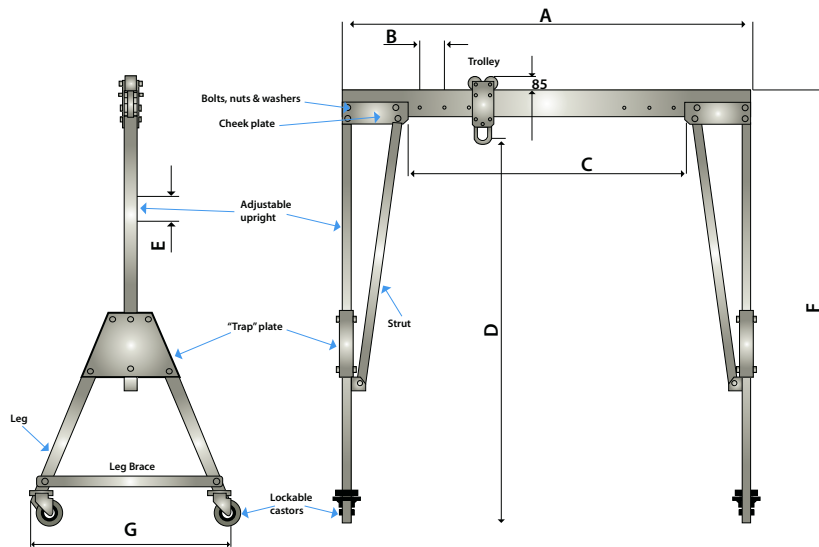


REID PORTA-GANTRY STANDARD UNIT DATA SHEET

PG Systems	Capacity	Overall Beam Length (A)	Span Adjustment Increment (B)	Max Working Span (C)	Max Height to Lifting Eye (D)	Min Height to Lifting Eye	Height Adjustment Increment (E)	Max Height to Top of Beam (F)	Max Width Across Legs (G)	Persons to Assemble	Beam Weight	A Frame Weight (pair)	Trolley Weight	Approx. Ship Wt.
		(in) (mm)	(in) (mm)	(in) (mm)	(in) (mm)	(in) (mm)	(in) (mm)	(in) (mm)	(in) (mm)		(lb) (kg)	(lb) (kg)	(lb) (kg)	(lb) (kg)
PGSS00500S-2500	1/2 ton (1100 lb)	98.4 2,500	7.8 200	62.2 1,580	92.9 2,361	63.4 1,611	5.9 150	105.4 2,678	48 1,220	1	40 18	146.0 66.0	16 7.2	503.0 228.0
PGSS00500S-3920		154.3 3,920	7.8 200	118.1 3,000	92.9 2,361	63.4 1,611	5.9 150	105.4 2,678	48 1,220	1	63 29	146.0 66.0	16 7.2	525.0 238.0
PGSS00500S-4570		179.9 4,570	7.8 200	143.7 3,650	92.9 2,361	63.4 1,611	5.9 150	105.4 2,678	48 1,220	1	74 33	146.0 66.0	16 7.2	534.0 242.0
PGSS01000S-2500	1 ton (2200 lb)	98.4 2,500	7.8 200	62.2 1,580	92.9 2,361	63.4 1,611	5.9 150	105.4 2,678	48 1,220	2	40 18	146.0 66.0	16 7.2	503.0 228.0
PGSS01000S-3920		154.3 3,920	7.8 200	118.1 3,000	92.9 2,361	63.4 1,611	5.9 150	105.4 2,678	48 1,220	2	63 29	146.0 66.0	16 7.2	525.0 238.0
PGSS01000S-4570		179.9 4,570	7.8 200	143.7 3,650	92.9 2,361	63.4 1,611	5.9 150	105.4 2,678	48 1,220	2	73 33	146.0 66.0	16 7.2	534.0 242.0
PGSS01000M-2500	1 ton (2200 lb)	98.4 2,500	7.8 200	62.2 1,580	112.3 2,854	82.8 2,104	5.9 150	124.8 3,171	56.2 1,429	2	40 19	176.0 80.0	16 7.2	534.0 242.0
PGSS01000M-3920		154.3 3,920	7.8 200	118.1 3,000	112.3 2,854	82.8 2,104	5.9 150	124.8 3,171	56.2 1,429	2	63 29	176.0 80.0	16 7.2	556.0 252.0
PGSS01000M-4570		179.9 4,570	7.8 200	143.7 3,650	112.3 2,854	82.8 2,104	5.9 150	124.8 3,171	56.2 1,429	2	73 33	176.0 80.0	16 7.2	565.0 256.0
PGSS02000S-2500	2 ton (4400 lb)	98.4 2,500	7.8 200	62.2 1,580	92.9 2,361	63.4 1,611	5.9 150	105.4 2,678	48.0 1,220	2	40 18	168.0 76.0	16 7.2	525.0 238.0
PGSS02000S-3920		154.3 3,920	7.8 200	118.1 3,000	92.9 2,361	63.4 1,611	5.9 150	105.4 2,678	48.0 1,220	2	63 29	168.0 76.0	16 7.2	547.0 248.0
PGSS02000S-4570		179.9 4,570	7.8 200	143.7 3,650	92.9 2,361	63.4 1,611	5.9 150	105.4 2,678	48.0 1,220	2	73 33	168.0 76.0	16 7.2	556.0 252.0
PGSS02000I-2500	2 ton (4400 lb)	98.4 2,500	7.8 200	62.2 1,580	125.9 3,198	86.5 2,198	7.8 200	138.3 3,514	67.9 1,726	2	40 18	203.0 92.0	16 7.2	561.0 254.0
PGSS02000I-3920		154.3 3,920	7.8 200	118.1 3,000	125.9 3,198	86.5 2,198	7.8 200	138.3 3,514	67.9 1,726	2	63 29	203.0 92.0	16 7.2	583.0 264.0
PGSS02000I-4570		179.9 4,570	7.8 200	143.7 3,650	125.9 3,198	86.5 2,198	7.8 200	138.3 3,514	67.9 1,726	2	73 33	203.0 92.0	16 7.2	592.0 269.0
PGSS03000T-2500	3 ton (6600 lb)	98.4 2,500	7.8 200	62.2 1,580	160.9 4,089	113.7 2,889	7.8 200	173.4 4,405	79.1 2,011	3	40 18	362.0 164.0	16 7.2	757.0 343.0
PGSS03000T-4570		179.9 4,570	7.8 200	143.7 3,650	160.9 4,089	113.7 2,889	7.8 200	173.4 4,405	79.1 2,011	3	94 43	362.0 164.0	16 7.2	812.0 368.0
PGSA05000T-4570 ¹	5 ton (11k lb)	179.9 4,570	7.8 200	143.7 3,650	159 4,040	118.8 2,840	7.8 200	176.5 4,485	79.1 2,011	3 - 4	155 70	467.0 ² 212.0	20 9.2	982.0 445.0



NOTE - beam height adjustment:

The height of each gantry beam is easily adjusted by the release of 2 bolts on each upright and can be easily and securely raised into position by increments of 5.91 or 7.87 inches (150 or 200 mm).

To assist with this activity a geared wheel is provided for the larger gantries.

All WLL ratings can be produced in each standard frame size Custom spans, height and Working Load Limits (WLL) on application

¹ NB. PG5000 beam depth (9.85 in, 250 mm), trolley depth (22.45 in, 570 mm) & trolley top above beam (4.93 in, 125 mm) are larger than the standard beam depth (5.99 in, 152 mm), trolley depth (15.16 in, 385 mm) and trolley top above beam (3.35 in, 85 mm)

² This weight includes the stabilizer leg option

Please note that dimensions may vary marginally

NB. No leg brace fitted on 'S' systems

Castor Dimensions

1100 lb (500 kg) and 2200 lb (1000 kg) Gantry: wheel width 1.6 in (40 mm), diameter 5.9 in (150 mm), height of castor 7.5 (190 mm).

4400 lb (2000 kg), 6600 lb (3000 kg) and 11000 lb (5000 kg): wheel width 2 in (50 mm), diameter 7.9 (200 mm), height 9.6 in (245 mm).