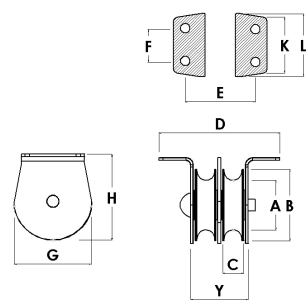
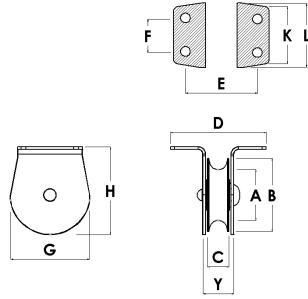


Flat Mount Blocks



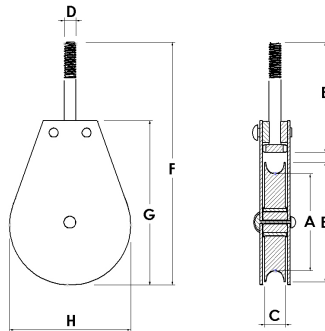
Flat Mount Block - Single Sheave

Model No.	Max Cable (inch)	Dimensions (inch)										Working Load (lbs)	Weight Each (lbs)	
		A	B	C	D	E	F	G	H	K	L			Y
01558	3/16	1	1 1/2	7/16	2	1 7/16	11/16	1 5/8	1 7/8	1 1/8	1 3/8	3/5	525	0.50
02058	3/16	1 1/2	2	7/16	2	1 7/16	11/16	2 1/8	2 3/8	1 1/8	1 1/2	3/5	600	0.50
02558	1/4	2	2 1/2	7/16	2	1 7/16	11/16	2 5/8	2 15/16	1 1/8	1 5/8	3/5	685	0.80
02558-1/8	1/8	2 1/4	2 1/2	7/16	2	1 7/16	11/16	2 5/8	2 15/16	1 1/8	1 5/8	3/5	685	0.80
03058	1/4	2 1/2	3	7/16	2	1 7/16	11/16	3 1/8	3 9/16	1 1/8	1 3/4	3/5	800	1.00
03058-5/16	5/16	2 1/2	3	7/16	2	1 7/16	11/16	3 1/8	3 9/16	1 1/8	1 3/4	3/5	800	1.00
03558	5/16	3	3 1/2	5/8	3 9/16	2 5/8	1	3 3/4	4 3/8	1 1/2	2 1/4	15/16	1550	2.30
03558-3/8	3/8	3	3 1/2	5/8	3 9/16	2 5/8	1	3 3/4	4 3/8	1 1/2	2 1/4	15/16	1550	2.30
04058	3/8	3 1/4	4	5/8	3 9/16	2 5/8	1	4 1/4	4 15/16	1 1/2	2 1/2	15/16	1700	3.10
05058	3/8	4 1/4	5	5/8	3 9/16	2 5/8	1	5 1/4	5 15/16	1 1/2	2 3/4	15/16	1850	4.60

Flat Mount Block - Double Sheave

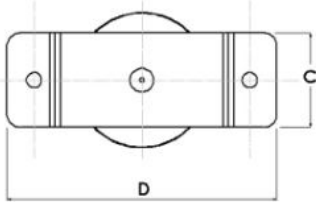
Model No.	Max Cable (inch)	Dimensions (inch)										Working Load (lbs)	Weight Each (lbs)		
		A	B	C	D	E	F	G	H	K	L			Y	
01558-2	3/16	1	1 1/2	7/16	2	9/16	2	3/4	1 5/8	1 7/8	1 1/8	1 3/8	1 7/32	525	0.45
02058-2	3/16	1 1/2	2	7/16	2	9/16	2	3/4	2 1/8	2 3/8	1 1/8	1 1/2	1 7/32	600	0.80
02558-2	1/4	2	2 1/2	7/16	2	9/16	2	3/4	2 5/8	2 15/16	1 1/8	1 5/8	1 7/32	685	1.30
02558-2-1/8	1/8	2 1/4	2 1/2	7/16	2	9/16	2	3/4	2 5/8	2 15/16	1 1/8	1 5/8	1 7/32	685	1.30
03058-2	1/4	2 1/2	3	7/16	2	9/16	2	3/4	3 1/8	3 9/16	1 1/8	1 3/4	1 7/32	800	1.90
03058-2-5/16	5/16	2 1/2	3	7/16	2	9/16	2	3/4	3 1/8	3 9/16	1 1/8	1 3/4	1 7/32	800	1.90
03558-2	5/16	3	3 1/2	5/8	4	1/2	3 1/2	1	3 3/4	4 3/8	1 1/2	2 1/4	1 13/16	1550	4.15
03558-2-3/8	3/8	3	3 1/2	5/8	4	1/2	3 1/2	1	3 3/4	4 3/8	1 1/2	2 1/4	1 13/16	1550	4.15
04058-2	3/8	3 1/4	4	5/8	4	1/2	3 1/2	1	4 1/4	4 15/16	1 1/2	2 1/2	1 13/16	1700	5.15
05058-2	3/8	4 1/4	5	5/8	4	1/2	3 1/2	1	5 1/4	5 15/16	1 1/2	2 3/4	1 13/16	1850	8.05

Bolt Blocks

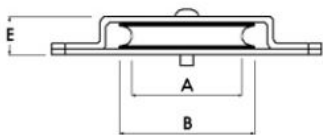


Bolt Block

Model No.	Max Cable (inch)	Dimensions (inch)							Working Load (lbs)	Weight Each (lbs)	
		A	B	C	D	E	F	G			H
01548-BLT	3/16	1	1 1/2	7/16	5/16	User Defined	3 13/16	2 7/16	1 5/8	525	0.50
02048-BLT	3/16	1 1/2	2	7/16	5/16	User Defined	4 1/4	2 15/16	2 1/8	600	0.70
02548-BLT	1/4	2	2 1/2	7/16	5/16	User Defined	5	3 7/16	2 5/8	685	1.00
02548-1/8-BLT	1/8	2 1/4	2 1/2	7/16	5/16	User Defined	5	3 7/16	2 5/8	685	1.00
03048-BLT	1/4	2 1/2	3	7/16	5/16	User Defined	5 5/8	4 1/16	3 1/8	800	1.40
03048-5/16-BLT	5/16	2 1/2	3	7/16	5/16	User Defined	5 5/8	4 1/16	3 1/8	800	1.40
03548-BLT	5/16	3	3 1/2	5/8	1 1/5	User Defined	7 5/8	5 3/8	3 3/4	1550	3.10
03548-3/8-BLT	3/8	3	3 1/2	5/8	1 1/5	User Defined	7 5/8	5 3/8	3 3/4	1550	3.10
04048-BLT	3/8	3 1/4	4	5/8	1 1/5	User Defined	8 3/8	6	4 1/4	1700	3.60
05048-BLT	3/8	4 1/4	5	5/8	1 1/5	User Defined	9 3/8	7	5 1/4	1850	5.20



(2) 1/4" Mounting holes



Deck Block

Model No.	Max Cable (inch)	Dimensions (inch)				Working Load (lbs)	Weight Each (lbs)	
		A	B	C	D			
D00208	3/16	1 1/2	2	1 3/4	5	7/10	480	1.00
D00258	1/4	2	2 1/2	1 3/4	5	7/10	550	1.25
D00258-1/8	1/8	2	2 1/2	1 3/4	5	7/10	550	1.25

Deck Blocks

