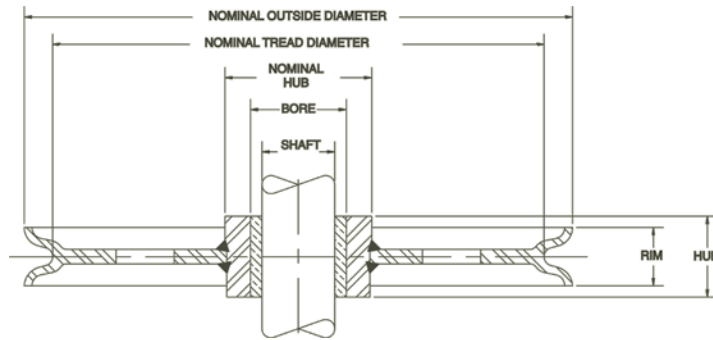


McKissick® sheaves come in a variety of sizes to suit your specific applications. Crosby offers many sheaves as standard and these are shown in the pages that follow.

For applications that require unique specifications, Crosby can make minor modifications to many of the sheaves listed at a reasonable charge. We can also custom design and manufacture sheaves to your exact requirements. Contact Crosby Sales to order McKissick® sheaves and include the stock number and quantity. For help in finding that standard sheave or for help with special requirements or custom designed sheaves, furnish the following important information:



**DIMENSIONAL INFORMATION**

Nominal Outside Diameter: \_\_\_\_\_ Wire Rope Size: \_\_\_\_\_ Rim Width: \_\_\_\_\_

+ Shaft Size: \_\_\_\_\_ \*Hub Width: \_\_\_\_\_

Nominal Tread Diameter (Optional): \_\_\_\_\_ Nominal Hub Diameter (Optional): \_\_\_\_\_

\*Hub width is measured over the cone of the Tapered Bearing Sheaves.  
+ Shaft Size is Bore Size on Plain Bore Sheaves.

**BEARING TYPE**

Bronze Bushing	++ Roller Bearing	Tapered Roller Bearing	Finish / Plain Bore
Full Complement Cylindrical Roller Bearing		Underwater	Other

++ Requires hardened and ground shaft

**MATERIAL TYPE**

Roll-Forged™ (Flame hardened 14" and larger)	Forged Steel	Domed
Cast Steel	Fabricated	Other

**APPLICATION INFORMATION**

Line Pull: \_\_\_\_\_ Fleet Angle: \_\_\_\_\_ Degree of Wrap: \_\_\_\_\_

Line Speed: \_\_\_\_\_ Environment: \_\_\_\_\_ Groove Angle: \_\_\_\_\_

**SPECIAL REQUIREMENTS**

Special Testing: \_\_\_\_\_

Finish: \_\_\_\_\_

Third Party Inspection / Approval: \_\_\_\_\_

In USA: Crosby's Special Engineered Product Group at 1-800-777-1555, fax (918) 834-5035, specials@thecrosbygroup.com  
In Canada: Crosby Canada at (905) 451-9261  
In Europe: N.V. Crosby Europe at 32 15 757125(26).