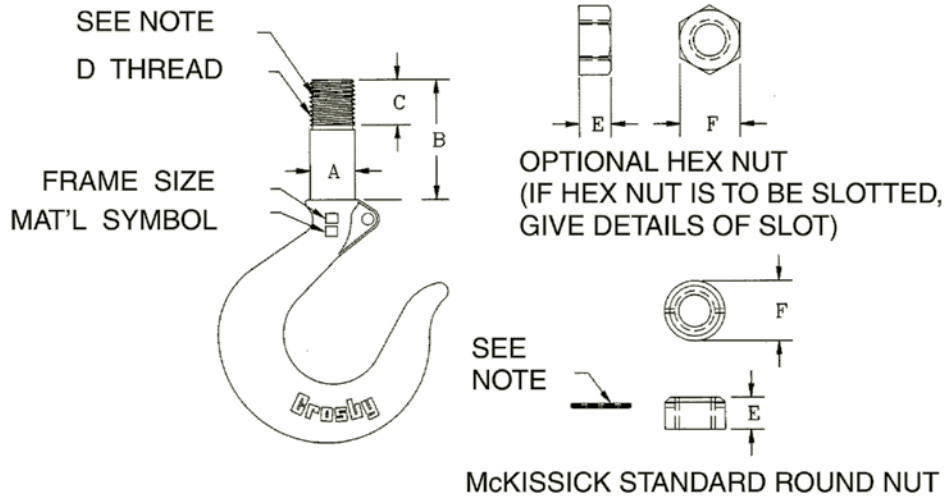


CROSBY CUSTOM MACHINED SHANK HOOK & NUT
QUOTATION REQUEST FORM

Customer Name:		Date:
Address:	City, State, Zip	
Phone:	Fax:	
Customer Contact Name:		
Quotation Due Date:	Product Delivery Date:	
Crosby / McKissick Proposal Number:	Quantity:	



NOTE:
FOR INSTALLATION OF SPRING PIN, STANDARD PRACTICE
IS TO FIELD DRILL NUT AND SHANK AFTER ASSEMBLY
AND ADJUSTED TAKE-UP IS MADE.

Dimensions:	
Frame Size and material Symbol:	
Working Load Limit (tons)	
A.	Round or Hex Nut
B.	E.*
C.*	F.
D.	
	Hook Latch Kit
	_____ SS-4055 Flipper latch
	_____ PL Flapper latch
	_____ 4320 Latch
* The minimum thread length engaged in the nut should not be less than one (1) thread diameter.	



RIGGING
HARDWARE