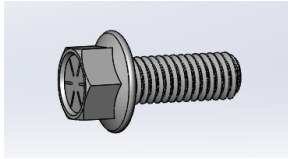
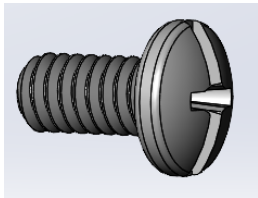


EQUIPEMENT, SUPPLIES, TOOLS

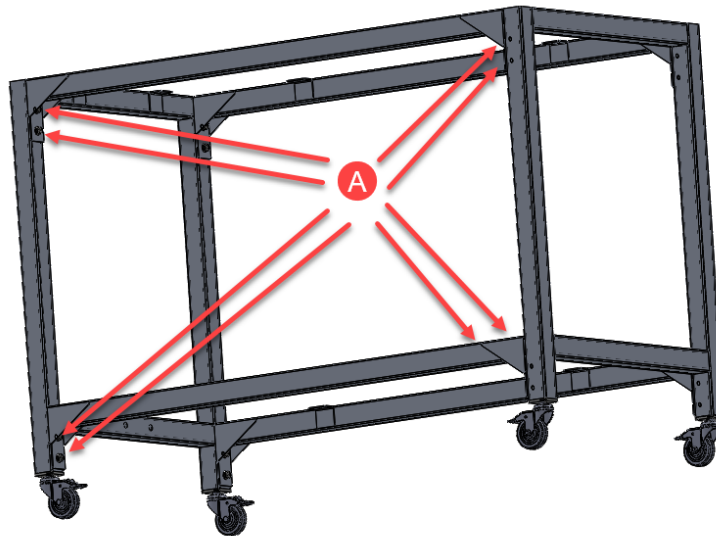
Phillips Screw Driver or Flat Head Screw Driver

9/16" wrench

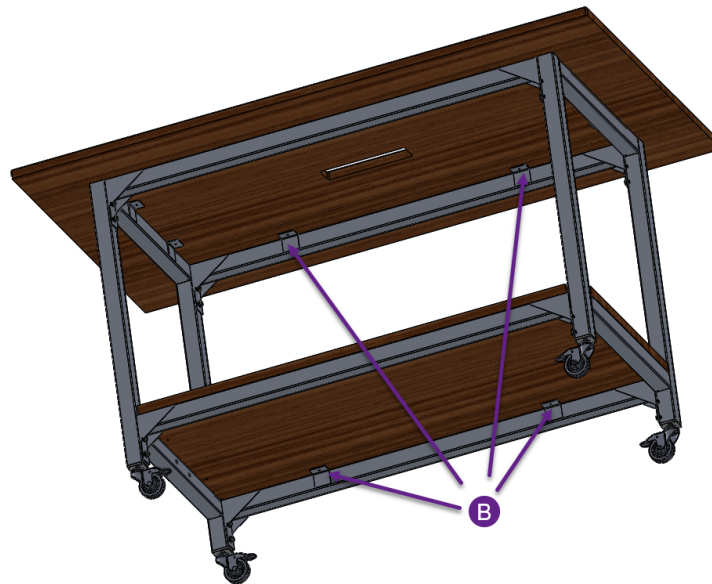
Part		Quantity Included	Description	Part Number
A		16x	3/8" – 16 – 1 Hex head bolt	A4093
B		12X	10-24 x 1/2" Phil Combo Pan Head Screw	RE412

ASSEMBLY INSTRUCTIONS

Slide the legs together via the photo below



Insert bolts (16x) **A** tighten with a 9/16" wrench on all 8 corners.



Place bottom shelf (4 screws) on first, then the top (8 screws), inserting (12x) **B**

Do **not** over tighten screws as this will void warranty.