

EQUIPEMENT, SUPPLIES, TOOLS

Phillips Screw Driver or Flat Head Screw Driver

T-25 drive

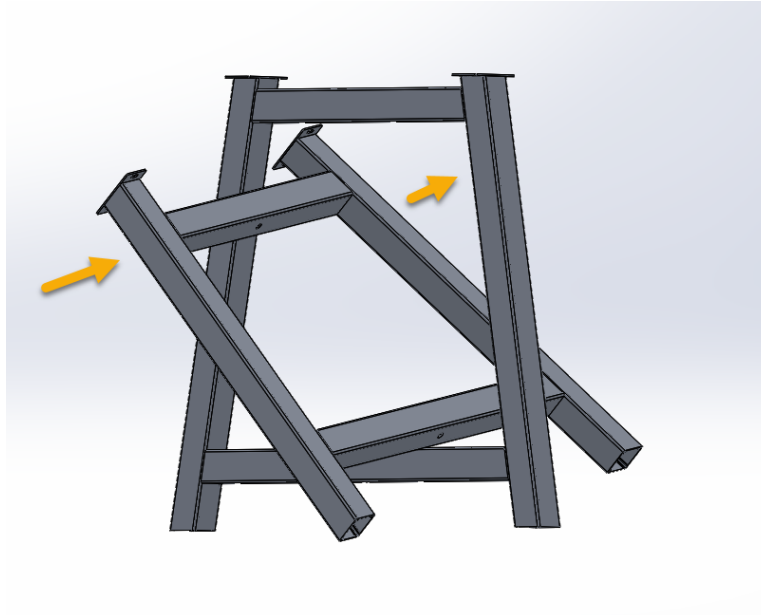
9/16" wrench

7/32" Hex head wrench

Part		Quantity Included	Description	Part Number
A		2X	3/8"-16-4.5 " Bolt	RE416
B		2X	3/8"-16 NUT	87546
C		8X	10-24 x 1/2" Phil Combo Pan Head Screw	RE412

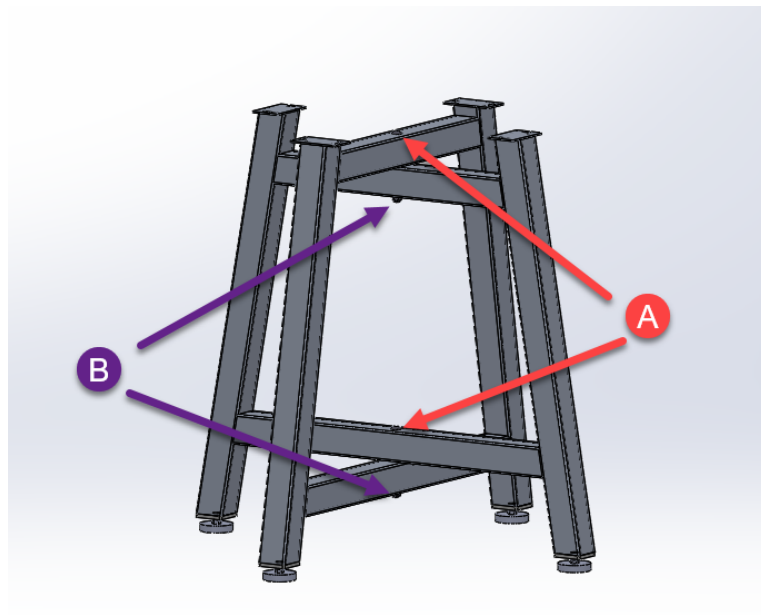
ASSEMBLY INSTRUCTIONS

Slide the legs together via the photo below

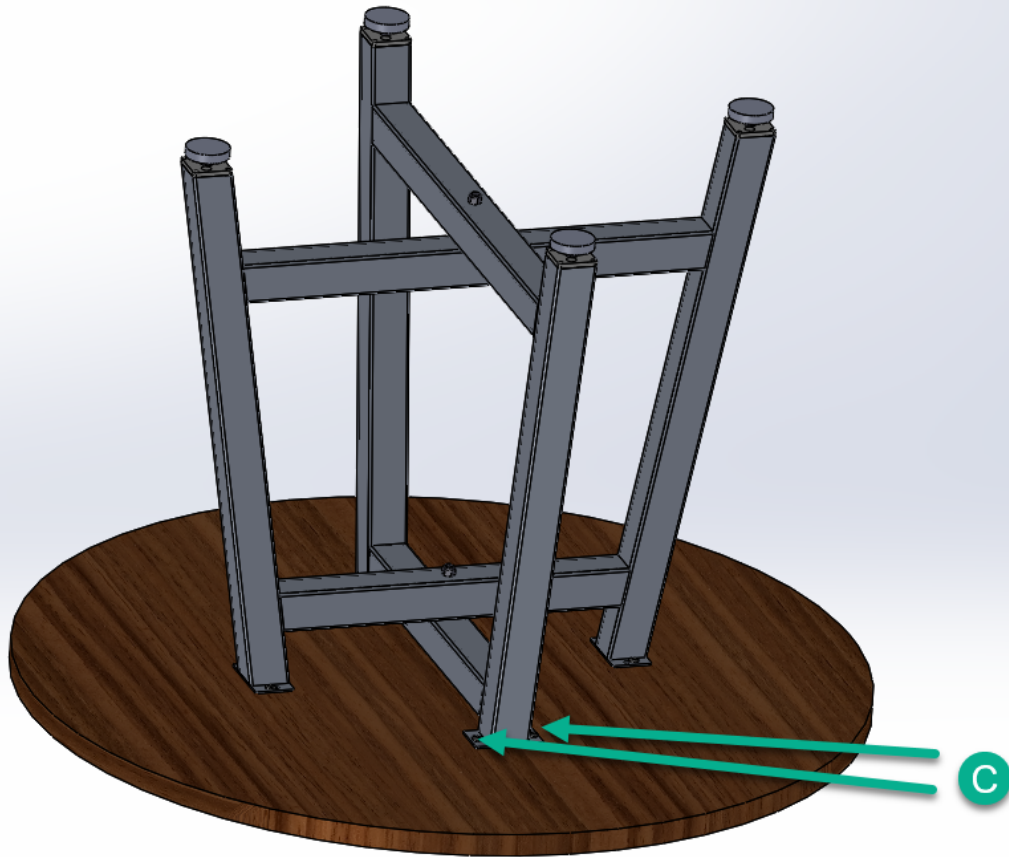


Place bolts (2x) **A** from the top down through the two legs.

Attach nuts (2x) **B** to the bolts. Hand tighten only at this time.



Set top side down on a scratch free, clean surface. Attach the legs using (8x) **C**



Tighten the **B** nuts until snug.

Do **not** over tighten screws as this will **void** warranty.