







rev.
247




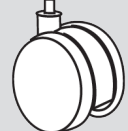
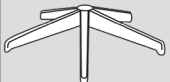

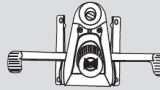
WORKSPACE
REINVENTED



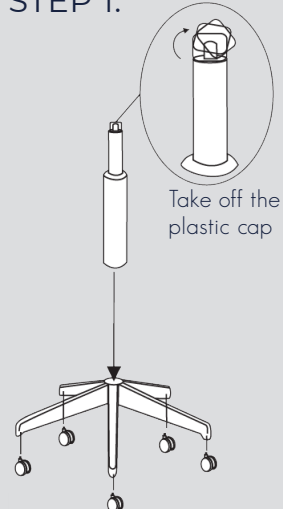
SCREW SETS:	S1 x 4 M6 x 20	
	S2 x 4 M6 x 50	
	S3 x 2 M6 x 25	
	S4 x 4 M6 x 30	
	S5 x 14 M6 x 16 x 1.2	
	S6 x 1 M5	

REVOC05

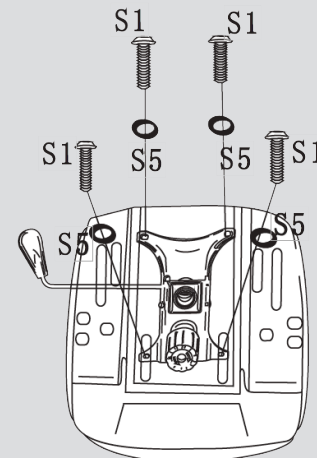
ASSEMBLY INSTRUCTIONS

Back	Seat	Armrest	Caster	Base	Gaslift	Mechanism
						
		X2	X5			

STEP 1:



STEP 2:



STEP 3:

