







rev.  
**247**



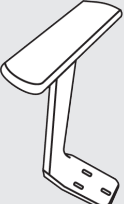
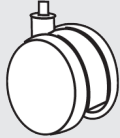
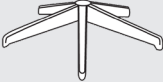

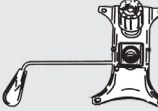
WORKSPACE  
REINVENTED



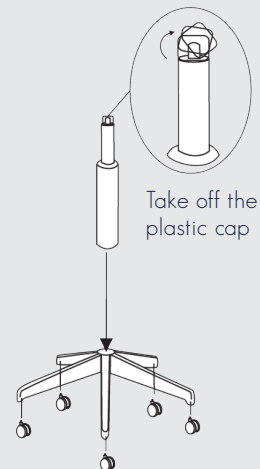
SCREW SETS:	S1 x 4 M6 x 20	
	S2 x 4 M6 x 50	
	S3 x 2 M6 x 35	
	S4 x 4 M6 x 40	
	S5 x 8 M6 x 16 x 1.2	
	S6 x 1 M5	

# REVOC04

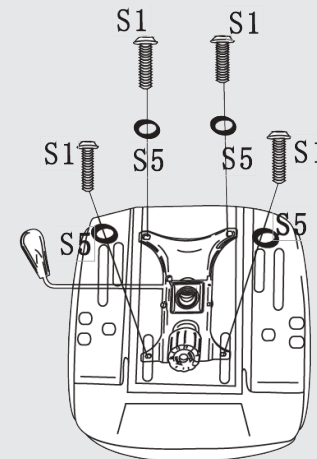
ASSEMBLY INSTRUCTIONS

Back	Seat	Armrest	Caster	Base	Gaslift	Mechanism
		 X2	 X5			

## STEP 1:



## STEP 2:



## STEP 3:

