








rev.
247

WORKSPACE
REINVENTED


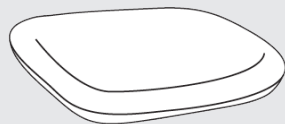
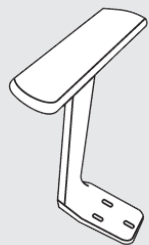
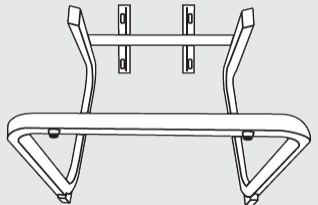


SCREW SETS:	S1 x 4 M6 x 50	
	S2 x 2 M6 x 35	
	S3 x 4 M6 x 40	
	S4 x 4 M6 x 20	
	S5 x 6 M6 x 13 x 1.2	

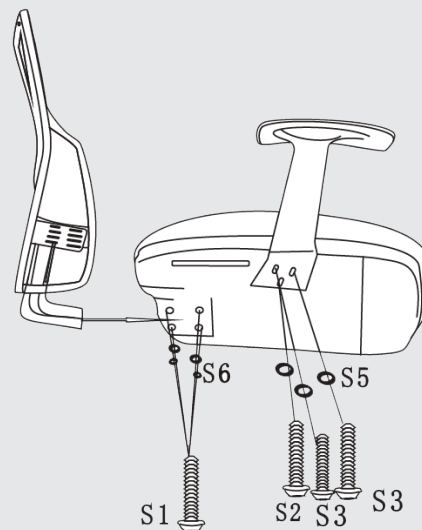
S6 x 8 M6 x 16 x 1.2	
S7 x 1 M5	

REVOC03

ASSEMBLY INSTRUCTIONS

Back	Seat	Armrest	Visitor Frame
			

STEP 1:



STEP 2:

