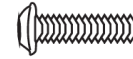
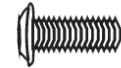


rev.
247

WORKSPACE
REINVENTED



SCREW SETS: S1 x 4
M6 x 20
S2 x 8
M6 x 25
S3 x 1
M5
S4 x 8

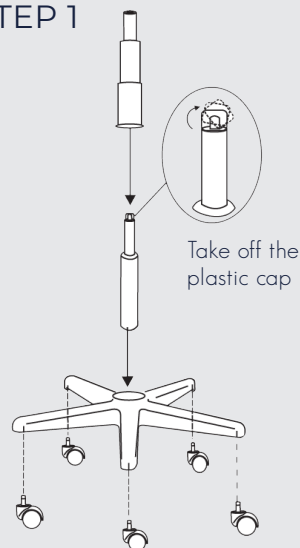


REVEOC04

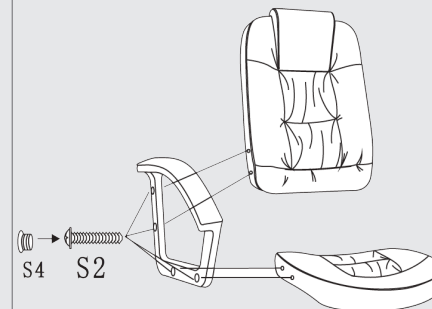
ASSEMBLY INSTRUCTIONS

Back	Seat	Armrest	Caster	Base	Gaslift	Telescopic Cover	Mechanism
		X2	X5				

STEP 1



STEP 2:



STEP 3:

