






rev.
247




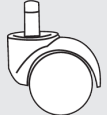



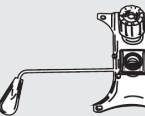
WORKSPACE
REINVENTED



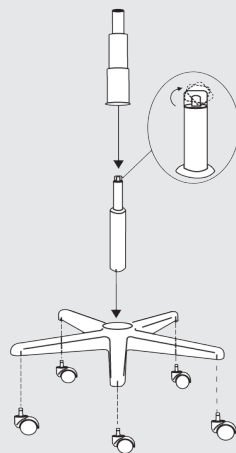
| | | |
|-------------|-------------------------|---|
| SCREW SETS: | S1 x 4 M6 x 20 |  |
| | S2 x 8 M6 x 25 |  |
| | S3 x 4 M6 x 16 x 1.2 |  |
| | S4 x 1 M5 |  |
| | S5 x 8 |  |

REVEOC03

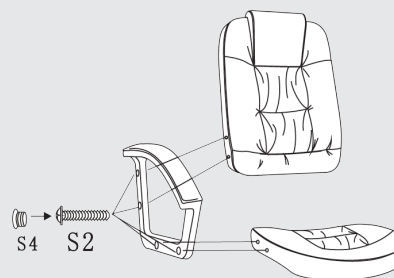
ASSEMBLY INSTRUCTIONS

| Back | Seat | Armrest | Caster | Base | Gaslift | Telescopic Cover | Mechanism |
|---|---|---|---|---|---|---|---|
|  |  |  X2 |  X5 |  |  |  |  |

STEP 1:



STEP 2:



STEP 3:

