

NAME: _____

PHONE: _____

SCHOOL/ORGANIZATION: _____

E-MAIL: _____

DEALER/REP: _____

SALES REP: _____ QUOTE: _____



Ease of use, multiple options and a sleek but durable design make the THERA-P line of electric treatment tables the choice of athletic trainers everywhere. Our bariatric model is built strong for larger patients, thanks to precision-cut flat and tube steel. Four top options allow athletic trainers to choose the table that best meets their needs and that ensures patients' most comfortable positioning. It also has a whisper-quiet lift system (with elevating foot control pedal) and easy-to-operate caster system for better ergonomics. Softly rounded corners and a layer of thick 2" foam add the finishing touch.

STANDARD FEATURES:

- Load Capacity: 650 lbs.
- 40"W x 77"L x 17-35"H
- Durable and stylish steel base
- White powder coat base
- Whisper quiet lift system
- Height adjustment: 17-35"
- Single foot control pedal
- 40" Wide cushions in 4 different configuration options
- 2" High density foam cushions
- Rounded corners
- Low profile locking casters
- Head section angle range: +40° to -90°
- Lower extremity angle range: 0 to 65°
- Armrest horizontal range: 0 to 45°
- Armrest vertical range: 0 to 7"
- ADA Compliant

NOTE: International (240V) option available

Thera-P™ Bariatric ELECTRIC TREATMENT TABLE

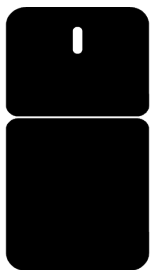


PT1113

TABLE CONFIGURATIONS:



PT1111
1 Section
Qty _____



PT1112
2 Section
Qty _____



PT1113
3 Section
Qty _____



PT1115
5 Section
Qty _____

OPTIONS:

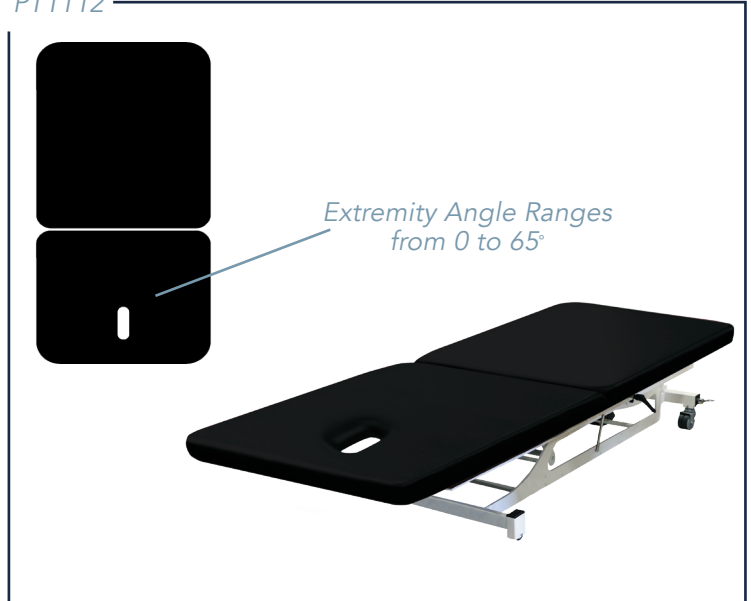
- PT9025** - 650 lb Lifting Capacity (240V)
- S1136** - Manual Elevating Midsection (Only available on PT1113 & PT1115)
- 95284** - Dual Foot Control Pedal
- S1100** - Dual Foot Bar Control

TABLE FEATURES:

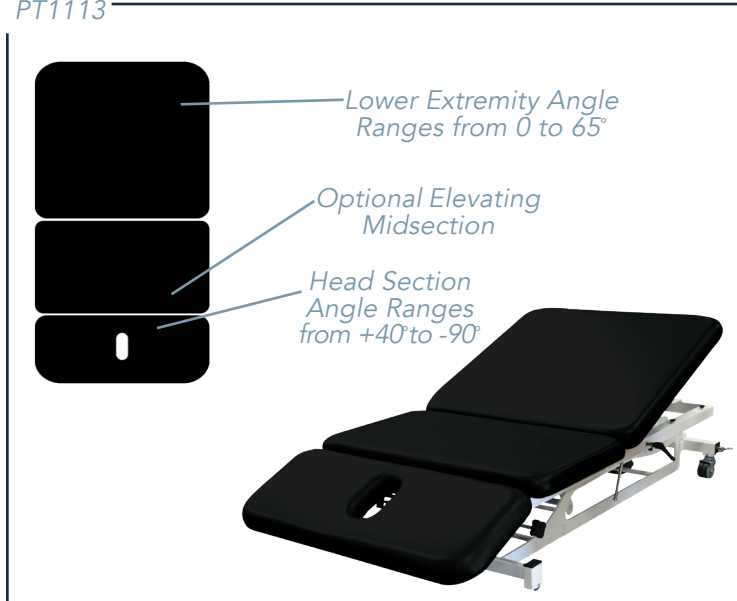
PT1111



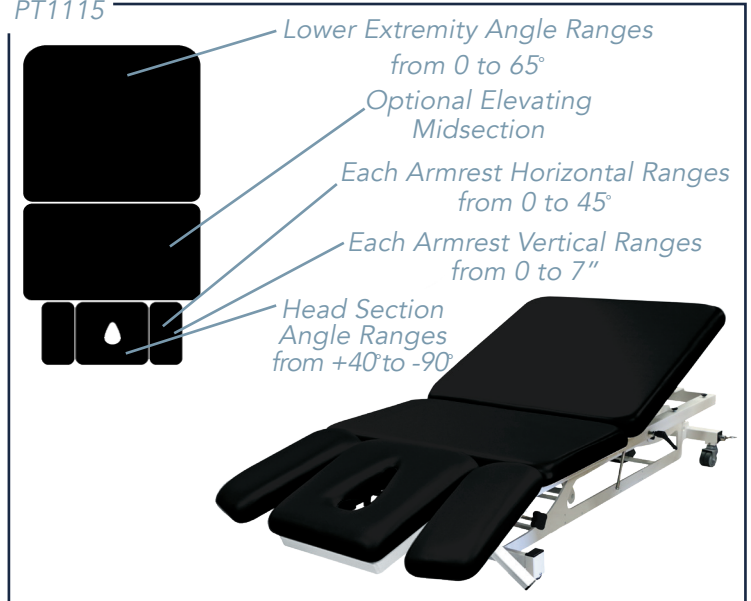
PT1112



PT1113



PT1115



STANDARD UPHOLSTERY CHOICES:

- | | |
|--|--|
| <input type="checkbox"/> Royal Blue | <input type="checkbox"/> American Beauty |
| <input type="checkbox"/> Imperial Blue | <input type="checkbox"/> Lark |
| <input type="checkbox"/> Blue Ridge | <input type="checkbox"/> Burgundy |
| <input type="checkbox"/> Deep Violet | <input type="checkbox"/> Dove |
| <input type="checkbox"/> Forest | <input type="checkbox"/> Charcoal |
| <input type="checkbox"/> Black | <input type="checkbox"/> Mocha |
| <input type="checkbox"/> Mandarin Orange | |

STANDARD BASE COLORS:

- White