

# Messer CO<sub>2</sub> snow horns.



Models: 3.75



Models: LVSH-3.5



Models: LVSH-7

## Benefits

- Easily adaptable to most mixing equipment
- Subcooling in the 3.75 snow horn creates higher conversion rates from liquid to snow while insulation eliminates condensation
- The LVSH-7 feed ring dissipates high-velocity energy allowing a gentle, uniform output of snow
- Precise temperature control when combined with a Messer control panel

Messer's CO<sub>2</sub> snow horns provide a simple, cost-effective method to accurately control temperature conditions in your chilling operations. Designed and built to meet USDA requirements, Messer's snow horns are included in our standard chilling systems and are easily adaptable to most existing chilling operations. Additionally, they can generate snow for controlling temperatures in box or combo cooling applications.

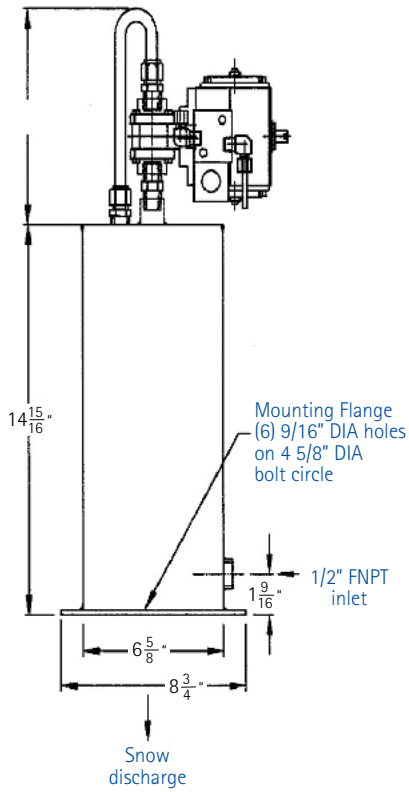
The stainless steel 3.75 model snow horn leads the Messer line. Its subcooling design produces unparalleled efficiency in converting liquid CO<sub>2</sub> into fine CO<sub>2</sub> snow. The unique design of the 3.75 model provides a "warm wall" to prevent condensation and snow build-up in the chamber, which affects uniformity of flow.

The LVSH-7 and LVSH-3.5 models deliver snow without costly CO<sub>2</sub> loss due to snow blowout sometimes encountered with conventional snow horns. Made of stainless steel, their compact, low velocity design efficiently and uniformly distributes CO<sub>2</sub> snow.

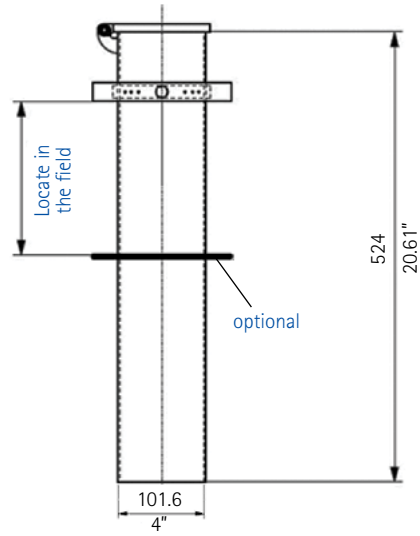
## Technical Data

| Model                 | 3.75 | LVSH-7SS | LVSH-3.5SS |
|-----------------------|------|----------|------------|
| Snow, #/min max       | 50   | 40       | 15         |
| Height, in            | 23.5 | 44.6     | 21         |
| Tube ID, in           | 3.25 | 6.625    | 3.8        |
| Design pressure, psig | 300  | 300      | 300        |
| Max pressure, psig    | 400  | 400      | 400        |

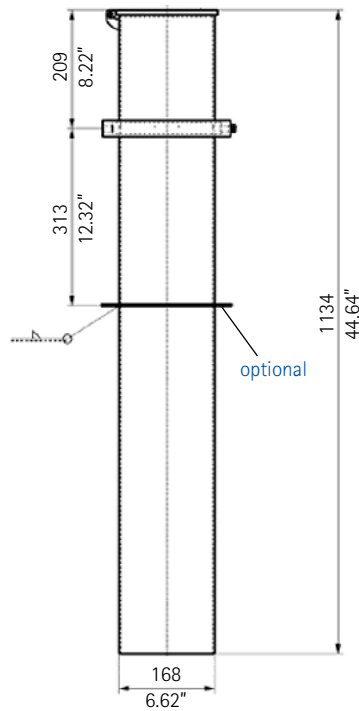
**Models: 3.75**



**Models: LVSH-3.5**



**Models: LVSH-7**



**Messer North America, Inc.**  
200 Somerset Corporate Blvd  
Suite 7000  
Bridgewater, NJ 08807  
Phone: 1-800-755-9277  
sales@messer-us.com  
www.messer-us.com



Part of the Messer World

Copyright 2019. Messer North America, Inc. All rights reserved.